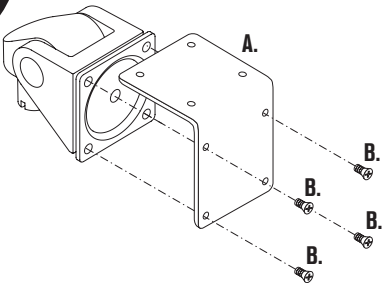


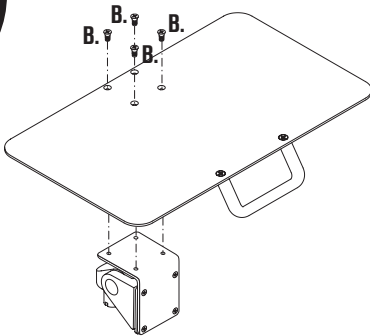
# Model 7011 Installation Instructions

www.LCDarms.com | 800.524.2744

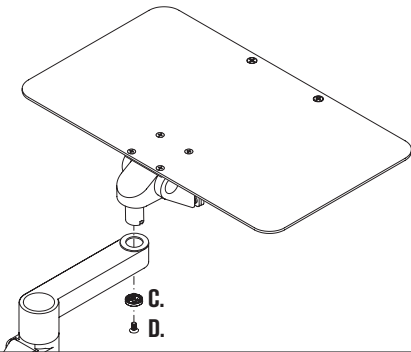
1




2



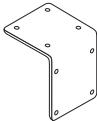
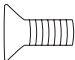
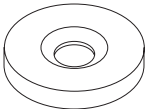
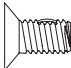
3



  
I N N O V A T I V E

# Model 7011 Parts List

www.LCDarms.com | 800.524.2744

ITEM	DESCRIPTION / PART NO.	QUANTITY
A. 	<b>Tilter Adapter Bracket</b> 104592	1
B. 	<b>10-32 x 3/8" Philips Flat Head Screw</b> 701164	8
C. 	<b>Dog Washer</b> 105189	1
D. 	<b>10-32 x 3/8" FPhMS w/Lock Patch</b> 705198	1

This product is protected by one or more of the following U.S. Patent Nos., and other United States and foreign patents applied for: 119,345, 119,346, 6,076,785, 6,273,383, 6,409,134, 6,478,274, 6,499,704, 6,505,988, 6,609,691, 6,19,606, 6,719,253, 6,726,167, 6,736,364, 6,783,105, 6,854,698, 6,915,994, 6,935,883, 6,955,328, 6,983,917, 6,986,489, 7,014,157, 7,017,874, 7,048,242, 7,059,574, 7,063,296, 7,066,433, 7,066,435, 7,389,965, D435,852, D491,952, D492,893, D570,853, D575,293.

# Model 7000 Installation Instructions

www.LCDarms.com | 800.524.2744

**1**

**2**

**3**

**4**

**5**

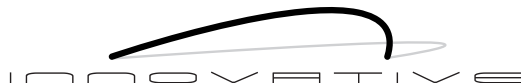
**6**

**7**

**8**

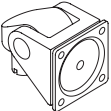
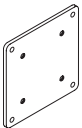
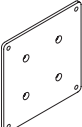
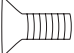
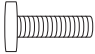
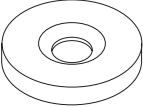
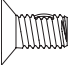



**?**

800.524.2744  
www.LCDarms.com



# Model 7000 Parts List

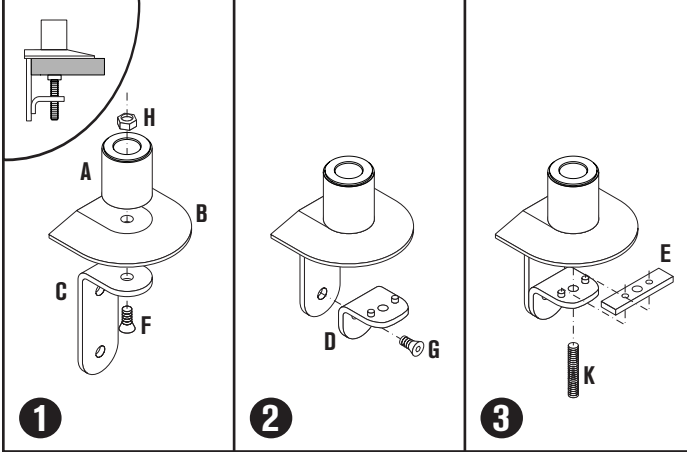
www.LCDarms.com | 800.524.2744

ITEM	DESCRIPTION / PART NO.	QUANTITY
<b>A.</b> 	<b>Sloped Tilter</b> 405397	1
<b>B.</b> 	<b>75mm VESA Adapter Plate</b> 7VESA75	1
<b>C.</b> 	<b>100mm VESA Adapter Plate</b> 7VESA100	1
<b>D.</b> 	<b>10-32 x 3/8" (9.525mm) Phillips Flat Head Screw</b> 702281	1 (4-pack)
<b>E.</b> 	<b>M4-12 Phillips Pan Head Screw</b> 702096	4
<b>F.</b> 	<b>Dog Washer</b> 105189	1
<b>G.</b> 	<b>10-32 x 3/8" (9.525mm) FPHMS with Lock Patch</b> 705198	1
<b>H.</b> 	<b>7/32" (5.563mm) Allen Wrench</b> 701127	1
<b>I.</b> 	<b>3/32" (2.388mm) Allen Wrench</b> 700146	1
<b>J.</b> 	<b>Cable Cap</b> 102043-9.5A	1

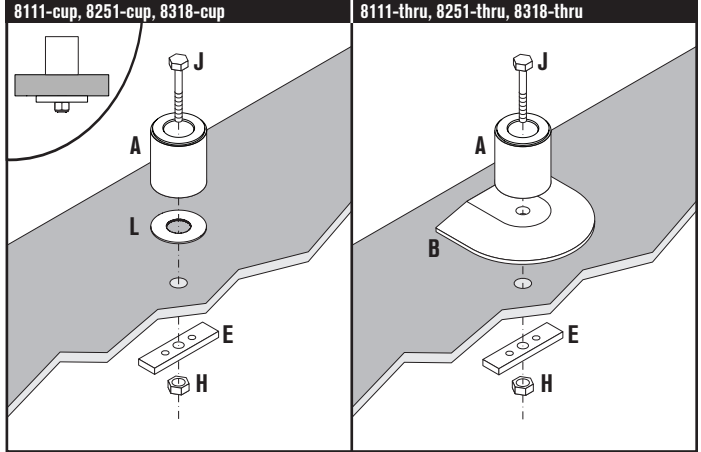
# FLEXmount™ Installation Instructions

www.LCDarms.com | 800.524.2744

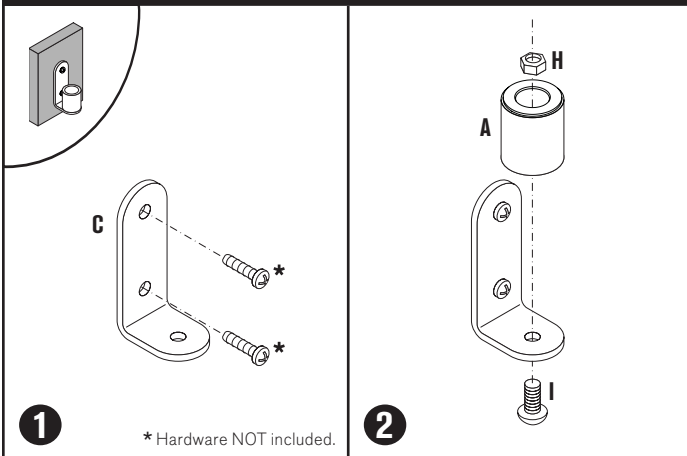
## Desk Clamp



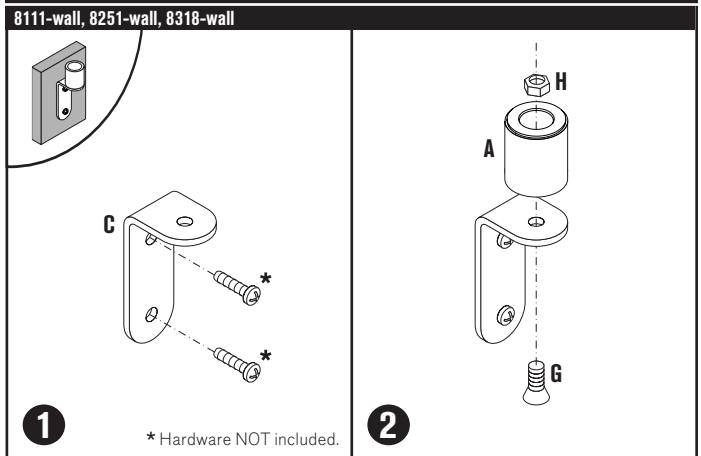
## Thru-Desk



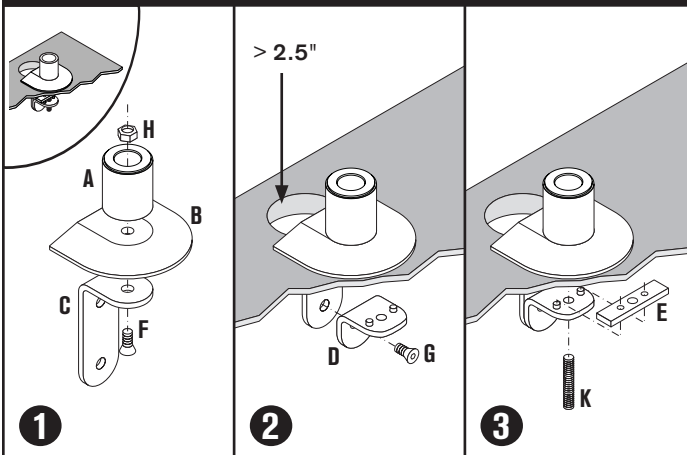
## Wall Mount



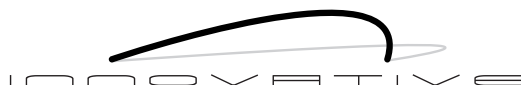
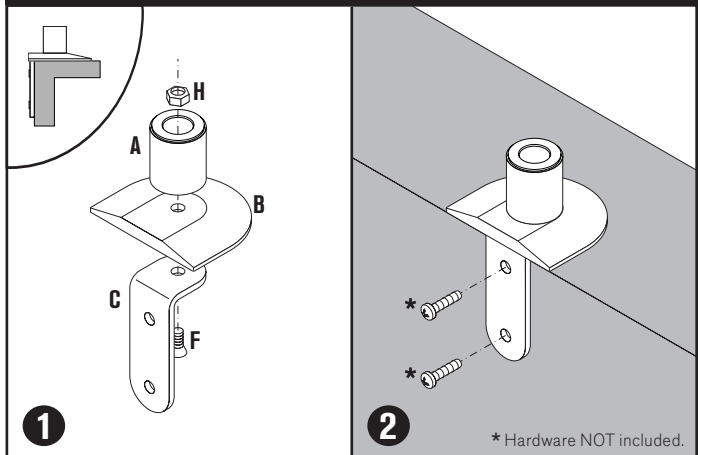
## Reverse Wall Mount



## Grommet Hole



## Side Bolt



# FLEXmount™ Parts List

www.LCDarms.com | 800.524.2744

ITEM	DESCRIPTION / PART NO.	QUANTITY
A	<b>Mount Column</b> 401328 - Model 7000, Model 7045, Model 3500, Model 3545 8269 - Model 7500, iLift™, ArcView™ (9177-2 & 9177-3)	1
B	<b>Base Plate</b> 401417 - Model 7000, Model 7045, Model 3500, Model 3545 8321 - Model 7500, iLift™, ArcView™ (9177-2 & 9177-3)	1
C	<b>Large "L" Bracket</b> 701117 - Model 7000, Model 7045, Model 3500, Model 3545 702828 - Model 7500, iLift™, ArcView™ (9177-2 & 9177-3)	1
D	<b>Small "L" Bracket</b> 701116	1
E	<b>3" (76.2 mm) x 3/4" (19.05 mm) x 1/4" (6.35 mm) Rectangular Spacer</b> 701544	1
F	<b>3/8-16 x 1" (25.4 mm) Flat Socket Cap Screw</b> 701124 - Model 7000, Model 7045, Model 3500, Model 3545 701855 - 3/8-16 x 1-1/4" (31.75mm) - Model 7500, iLift™, ArcView™ (9177-2 & 9177-3)	1
G	<b>3/8-16 x 7/8" (22.225mm) Flat Socket Cap Screw</b> 701799	1
H	<b>3/8-16 Nylon Stop Nut</b> 701418	1
I	<b>3/8-16 x 7/8" (22.225 mm) Button Socket Cap Screw</b> 701122	1
J	<b>3/8-16 x 2-1/2" (63.5 mm) Hex Head Bolt</b> 700268	1
K	<b>1/2-13 x 3" (76.2 mm) Socket Set Screw</b> 701126	1
L	<b>Foam Pad (Included with Model 7000 only and 8111-cup)</b> 701120	1