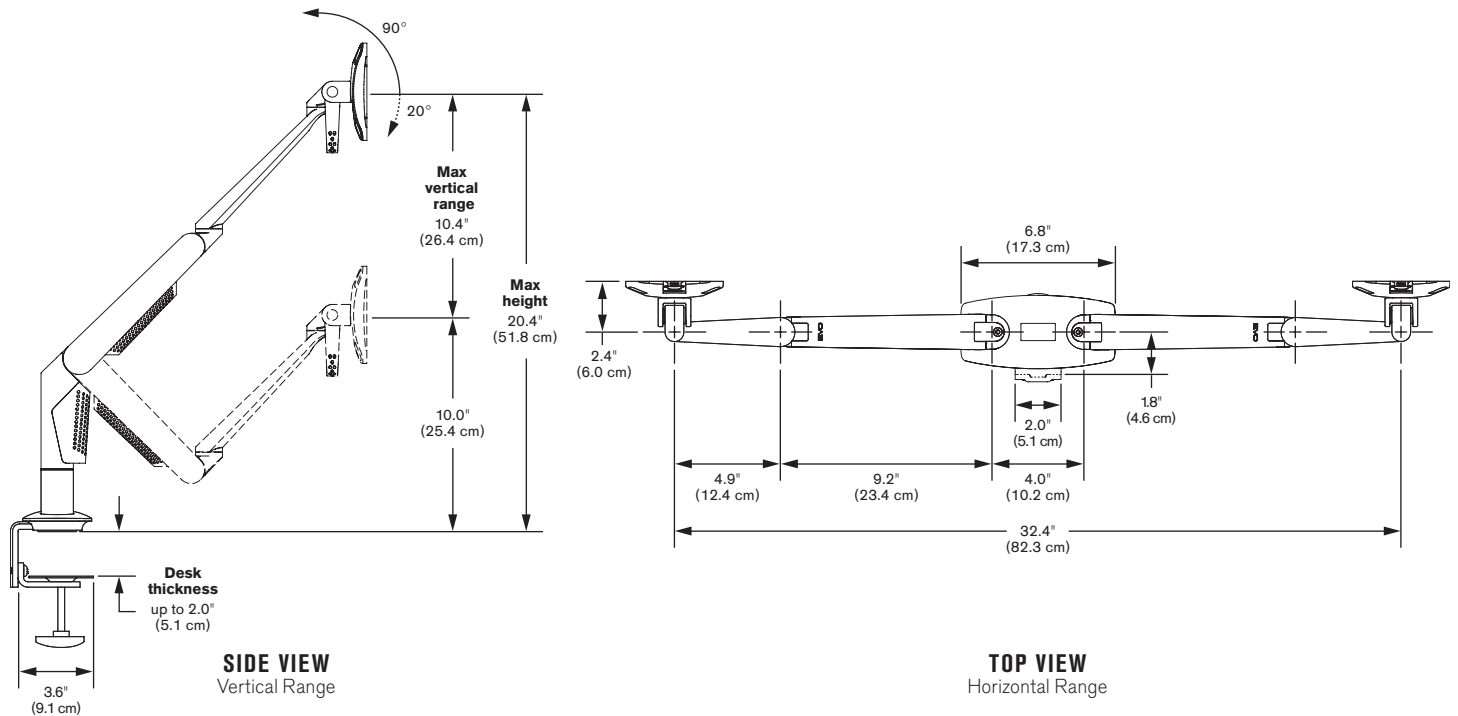


Dual EVO[®] Mount

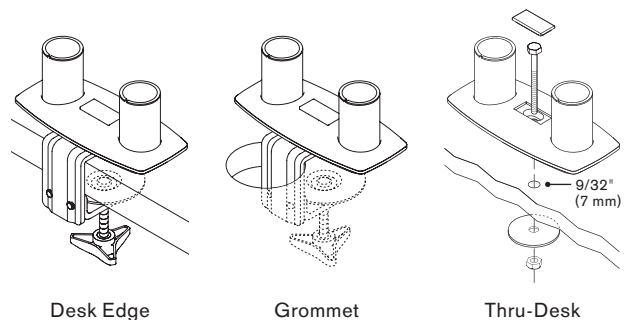
Specifications



ARM CAPABILITIES

Vertical range	+/- 5.2" (13.2 cm) from horizontal
Horizontal range, per arm	18.6" (47.2 cm)
Rotation	360° at two joints, 180° at base
Monitor tilt	90° up, 20° down from center
Monitor pivot	Landscape to portrait
Monitor compatibility	VESA [®] 75mm and 100mm
Cable management	Cables are clipped beneath arm
Mounting options	Desk Edge, Grommet, Thru-Desk
Monitor weight (at standard monitor depths)	7 - 20 lbs (3.2 - 9.0 kg) per monitor

MOUNT CONFIGURATIONS



Phone: 800.524.2744 | Fax: 610.253.9521 | E-mail: sales@LCDarms.com | Web: www.LCDarms.com

This product is protected by one or more of the following U.S. Patent Nos. and other United States and foreign patents applied for: 119,345, 119,346, 1,324,842, 2,470,525, 6,076,785, 6,273,383, 6,409,134, 6,478,274, 6,499,704, 6,505,988, 6,609,691, 6,19,606, 6,719,253, 6,726,167, 6,736,364, 6,783,105, 6,854,698, 6,915,994, 6,935,883, 6,955,328, 6,983,917, 6,986,489, 7,014,157, 7,017,874, 7,048,242, 7,059,574, 7,063,296, 7,066,433, 7,066,435, 7,389,965, 7,665,699, D435,852, D491,952, D492,893, D570,853, D575,293. US & Int'l Patents Pending. EVO[®] and Better Balance[®] are trademarks of Innovative Office Products, Inc., registered in the U.S. Patent and Trademark Office.