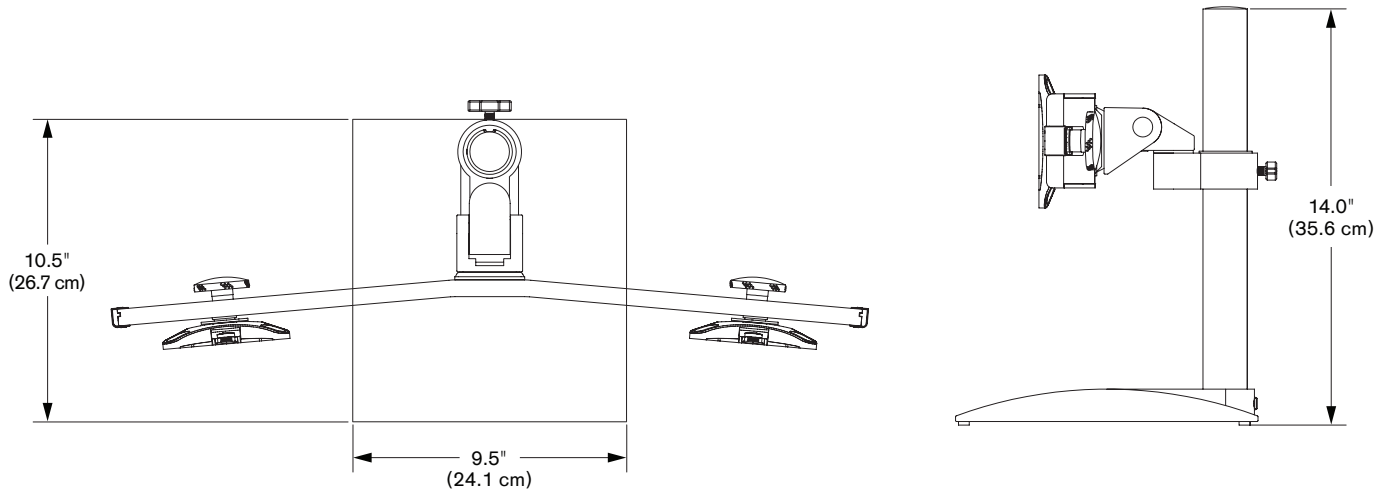


Model 9109-Switch

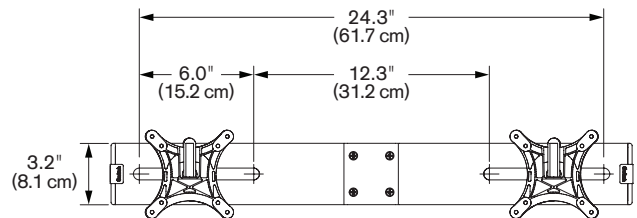
Specifications



ARM CAPABILITIES

- Pole height** 14"
- Base dimensions** W: 9.5", L: 10.5"
- Base weight** 10 lbs
- Monitor tilt** 200 degrees
- Monitor pivot** Landscape to portrait
- Monitor compatibility** VESA® 75 mm and 100 mm
- Monitor weight** Up to 18 lbs per monitor

WING BRACKET CAPABILITIES



Max monitor width* 23" (58.4 cm)** per monitor

* Monitor width is measured from end to end of the monitor as shown here:

** This measurement is based on a monitor depth of 2.5" (6.3 cm).

The depth of the monitor will have a slight effect on the overall max dimension.



Phone: 800.524.2744 | Fax: 610.253.9521 | E-mail: sales@LCDarms.com | Web: www.LCDarms.com