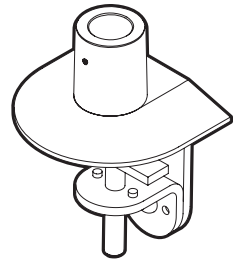


# FLEXMOUNT® 8111

## Installation Instructions



### Desk Clamp

- 1
- 2
- 3

### Thru-Desk

8111-CUP	8111-THRU

### Wall Mount

- 1
- 2

\* Hardware not included.

### Reverse Wall Mount

- 1
- 2

\* Hardware not included.

### Grommet Hole

- 1
- 2
- 3

> 2.5"


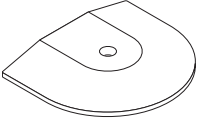
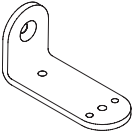
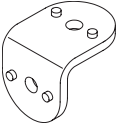
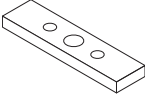
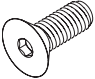
### Side Bolt

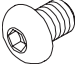

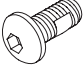
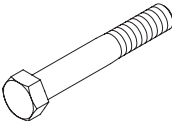
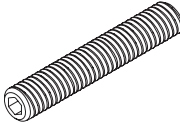
- 1
- 2

\* Hardware not included.

# FLEXMOUNT® 8111

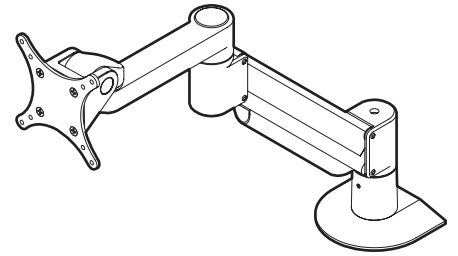
## Parts List

ITEM	DESCRIPTION / PART NO.	QUANTITY
A 	Mount Column 401328	1
B 	Base Plate 406656	1
C 	Large "L" Bracket 701117	1
D 	Small "L" Bracket 111728	1
E 	Rectangular Spacer 701544	1
F 	3/8-16 x 1" Flat Socket Cap Screw 701124	1

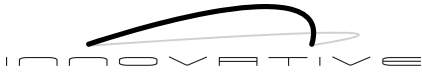
ITEM	DESCRIPTION / PART NO.	QUANTITY
G 	3/8-16 x 1/2" BHSCS 702898	1
H 	3/8-16 Nylon Stop Nut 701418	1
I 	3/8-16 x 7/8" Button Socket Cap Screw 701122	1
J 	3/8-16 x 2-1/2" Hex Head Bolt 700268	1
K 	1/2-13 x 3" Socket Set Screw 701126	1

# MODEL 7000

## Installation Instructions

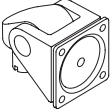


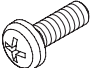
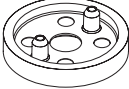



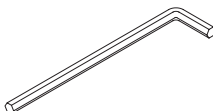

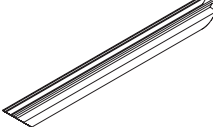
<p><b>1</b></p>	<p><b>2</b></p>	<p><b>3</b></p> <p><small>* Some monitors may require a spacer hardware kit. See page 2 for details.</small></p>
<p><b>4</b></p>	<p><b>5</b></p>	<p><b>6</b></p>
<p><b>7</b></p>	<p><b>8</b></p>	<p style="text-align: center;"><b>?</b></p> <p style="text-align: center;">800.524.2744 www.LCDarms.com</p>



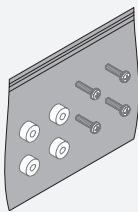
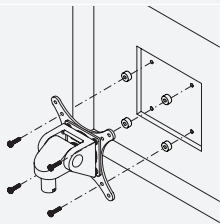
# MODEL 7000

## Parts List

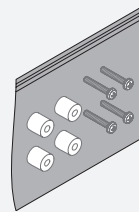
ITEM	DESCRIPTION / PART NO.	QUANTITY
A	 <b>Monitor Tilter</b> 405397	1
B	 <b>75/100mm VESA® Adapter Plate</b> 1 105587	1
C	 <b>10-32 x 3/8" Phillips Pan Head Screw</b> 1 702281 (4-pack)	1
D	 <b>M4 x 12mm Phillips Pan Head Screw</b> 1 702096 (4-pack)	1
E	 <b>Dog Washer</b> 105189	1

ITEM	DESCRIPTION / PART NO.	QUANTITY
F	 <b>10-32 x 3/8" FPhMS w/Lock Patch</b> 1 705198	1
G	 <b>7/32" Allen Wrench</b> 701127	1
H	 <b>3/32" Allen Wrench</b> 700146	1
I	 <b>Cable Cap</b> 102043-9.5	1

**OPTIONAL SPACER KITS** In some cases, the mounting surface on your monitor may be recessed further than permitted by VESA® standards. As a result, a spacer kit may be required.



**.25" Spacer Hardware Kit**  
 (4) .25" Spacers  
 (4) M4 x 18mm Phillips Pan Head Screws  
 Order # P404923-B



**.5" Spacer Hardware Kit**  
 (4) .5" Spacers  
 (4) M4 x 25mm Phillips Pan Head Screws  
 Order # P404923-C

# How do I counterbalance my arm?

**1**

**IMPORTANT!**

- Monitor must be on arm
- Arm must be in mount

Press the arm down to **approximately parallel** with the desk prior to turning the strength adjustment screw.

If the arm **drifts upward**, turn the adjustment screw clockwise.

If the arm **drifts downward**, turn the adjustment screw counter-clockwise.

Depending on the weight of your monitor, **you may have to make 15-20 turns.**

7/32" Allen Wrench

**2**

**In some instances**, further counterbalance adjustments are needed to allow the arm's instant height adjustment function to work properly.

If your arm is not staying in position after performing step 1, follow these steps:

With arm in raised position, tighten set screw **(A)**.

With arm in horizontal position, tighten set screw **(B)**.

**Do not over tighten screws.**

3/32" Allen Wrench