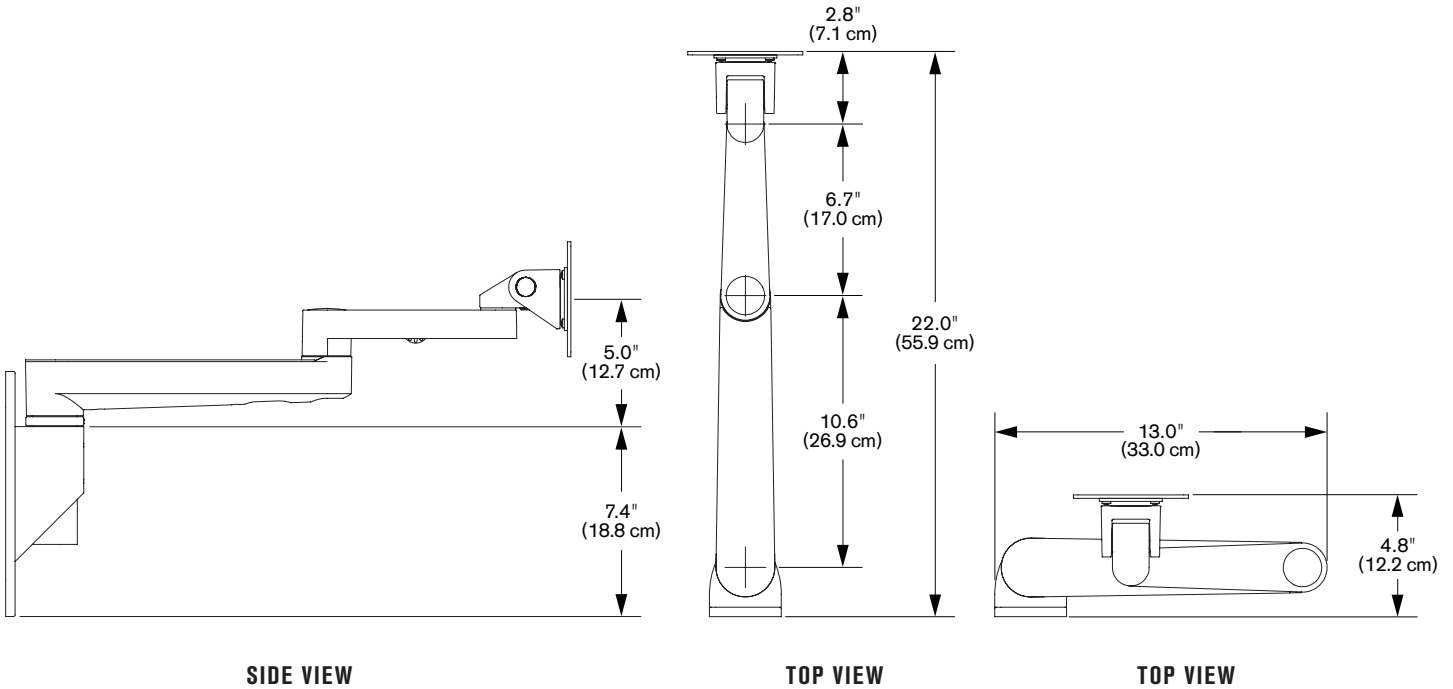


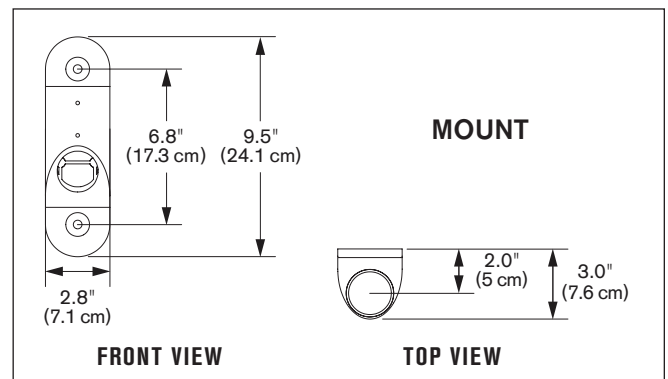
9300 Series

Specifications

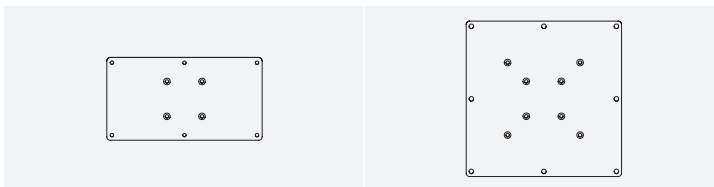


CAPABILITIES

- Horizontal range**.....22" (55.9 cm) of horizontal range
- Rotation**.....Three articulation joints
- Monitor tilt**.....200 degrees
- Monitor pivot**.....Landscape to portrait
- Monitor compatibility**.....VESA® 75mm/100mm
VESA® 200mm x 100mm (optional)
VESA® 200 mm x 200mm (optional)
- Cable management**.....Cables are concealed in arm
- Monitor weight/model number**.....up to 45 lbs (20.4 kg) / 9300
up to 55 lbs (24.9 kg) / 9300-HD



OPTIONAL VESA® ADAPTERS



100mm x 200mm

200mm x 200mm



Phone: 800.524.2744 | Fax: 610.253.9521 | E-mail: sales@LCDarms.com | Web: www.LCDarms.com

This product is protected by one or more of the following U.S. Patent Nos. and other United States and foreign patents applied for: 119,345, 119,346, 1,324,842, 2,470,525, 6,076,785, 6,273,383, 6,409,134, 6,478,274, 6,499,704, 6,505,988, 6,609,691, 6,191,606, 6,719,253, 6,726,167, 6,736,364, 6,783,105, 6,854,698, 6,915,994, 6,935,883, 6,955,328, 6,983,917, 6,986,489, 7,014,157, 7,017,874, 7,048,242, 7,059,574, 7,063,296, 7,066,433, 7,066,435, 7,389,965, D435,852, D491,952, D492,893, D570,853, D575,293.