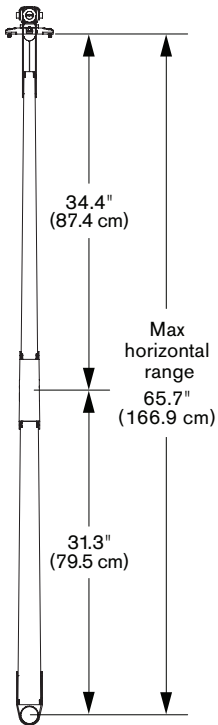
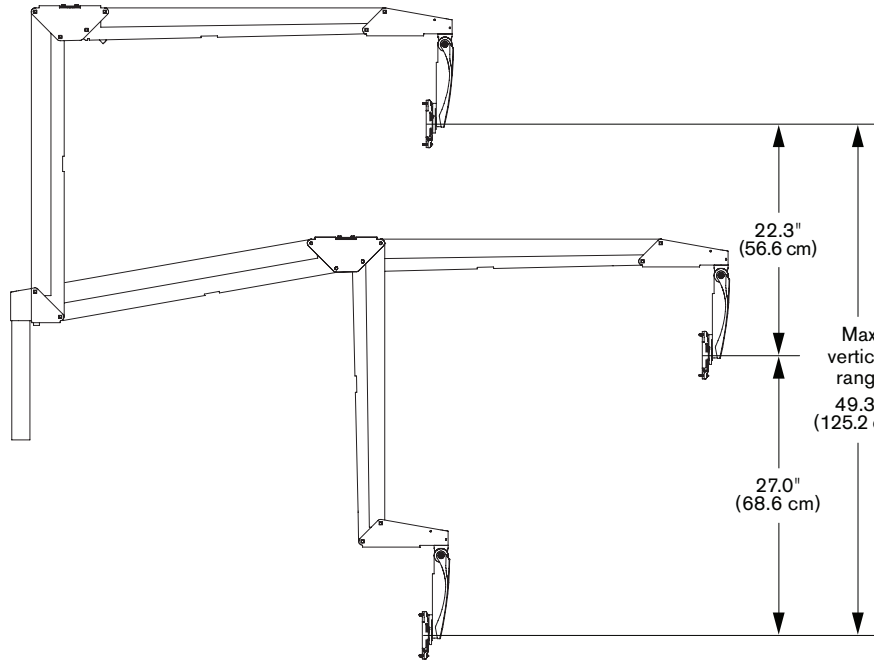


Model 9400

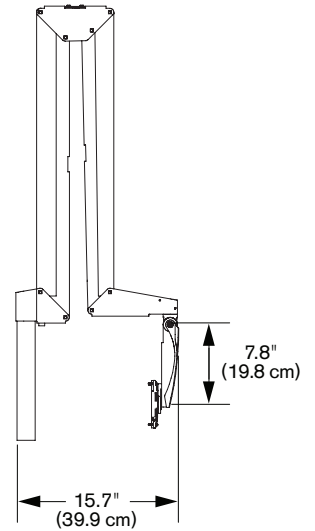
Specifications



TOP VIEW
Horizontal Range



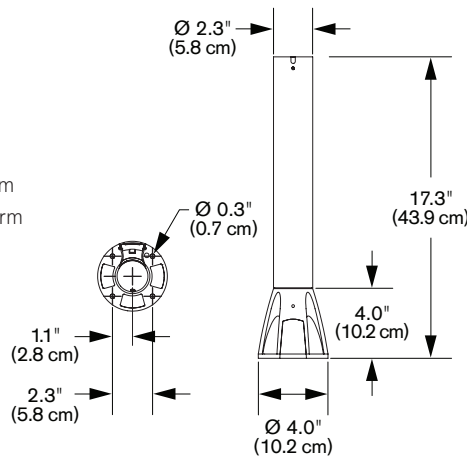
SIDE VIEW
Vertical Range



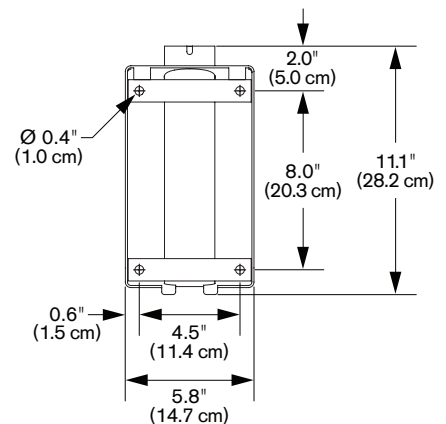
SIDE VIEW
Arm Folded

CAPABILITIES

- Vertical range**.....49.3" (125.2 cm)
- Horizontal range**.....65.7" (166.9 cm)
- Monitor tilt**.....up to 60 degrees
- Monitor rotation**.....340 degrees
- Monitor compatibility**.....VESA® 75mm and 100mm
- Cable management**.....Cables are concealed in arm
- Monitor weight**.....4 - 18 lbs (1.8 - 8.2 kg)



Model 8384
Countertop Mount



Model 8385
Wall Mount



Phone: 800.524.2744 | Fax: 610.253.9521 | E-mail: sales@LCDarms.com | Web: www.LCDarms.com

This product is protected by one or more of the following U.S. Patent Nos. and other United States and foreign patents applied for: 119,345, 119,346, 1,324,842, 2,470,525, 6,076,785, 6,273,383, 6,409,134, 6,478,274, 6,499,704, 6,505,988, 6,609,691, 6,191,606, 6,719,253, 6,726,167, 6,736,364, 6,783,105, 6,854,698, 6,915,994, 6,935,883, 6,955,328, 6,983,917, 6,986,489, 7,014,157, 7,017,874, 7,048,242, 7,059,574, 7,063,296, 7,066,433, 7,066,435, 7,389,965, D435,852, D491,952, D492,893, D570,853, D575,293.