

# Duopod & Quadropod

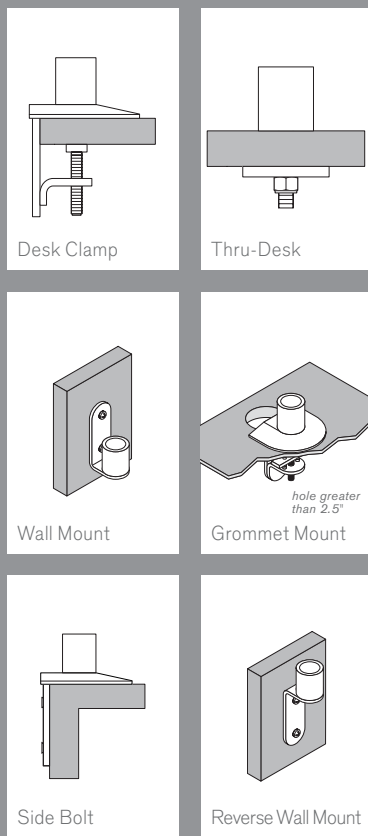
## Specifications



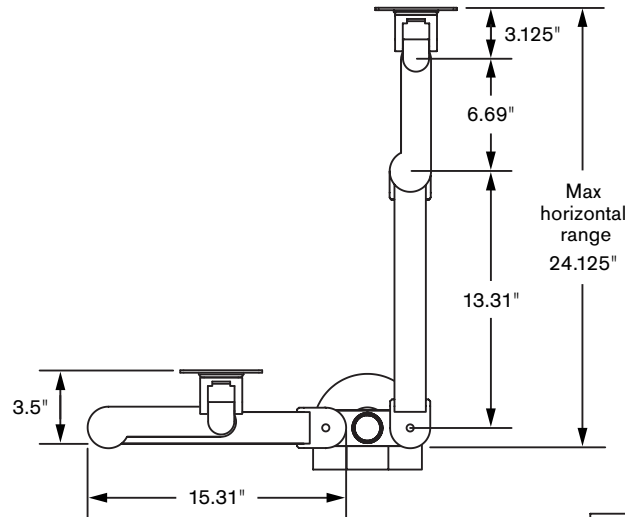
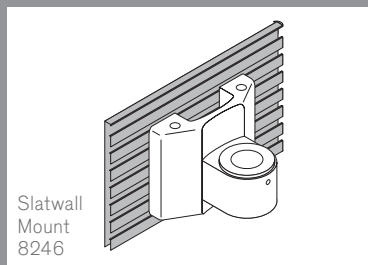
### MOUNTING OPTIONS

#### FLEXMOUNT™

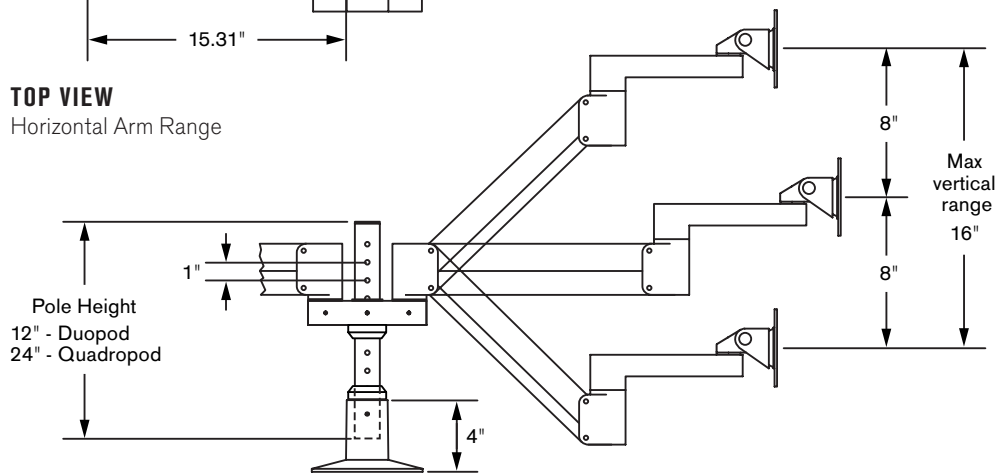
Six mounting options in one kit, including desk clamp, thru-desk and grommet mount.



#### SLATWALL MOUNT



**TOP VIEW**  
Horizontal Arm Range



**FRONT VIEW**  
Vertical Arm Range

- Vertical range:**..... 16"
- Horizontal range:**..... 24.125"
- Rotation:**..... 360 degrees at three joints
- Monitor tilt:**..... Over 200 degrees
- Monitor pivot:**..... Landscape to portrait
- Monitor compatibility:**..... VESA® 75mm and 100mm
- Cable management:**..... Cables are clipped beneath arm
- Mounting options:**..... FLEXmount™ – six different mounting options in one kit including desk clamp, thru-desk and wall
- Monitor weight - Duopod:**..... Accommodates two monitors from 9 - 24 lbs each
- Monitor weight - Quadropod:**..... Accommodates four monitors from 9 - 24 lbs each



Phone: 800.524.2744 | Fax: 610.253.9521 | E-mail: sales@LCDarms.com | Web: www.LCDarms.com

This product is protected by one or more of the following U.S. Patent Nos., and other United States and foreign patents applied for: 6,076,785, 6,273,383, 6,409,134, 6,478,274, 6,499,704, 6,505,988, 6,609,691, 6,19,606, 6,719,253, 6,726,167, 6,736,364, 6,783,105, 6,854,698, 6,915,994, 6,935,883, 6,955,328, 6,983,917, 6,986,489, 7,014,157, 7,017,874, 7,048,242, 7,059,574, 7,063,296, 7,066,433, 7,066,435, D435,852, D491,952, D492,893.