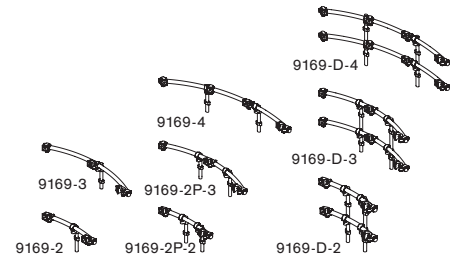


ARCVIEW™ 9169 SERIES

Installation Instructions



1a (1) POLE CONFIGURATION

* Mount not included.

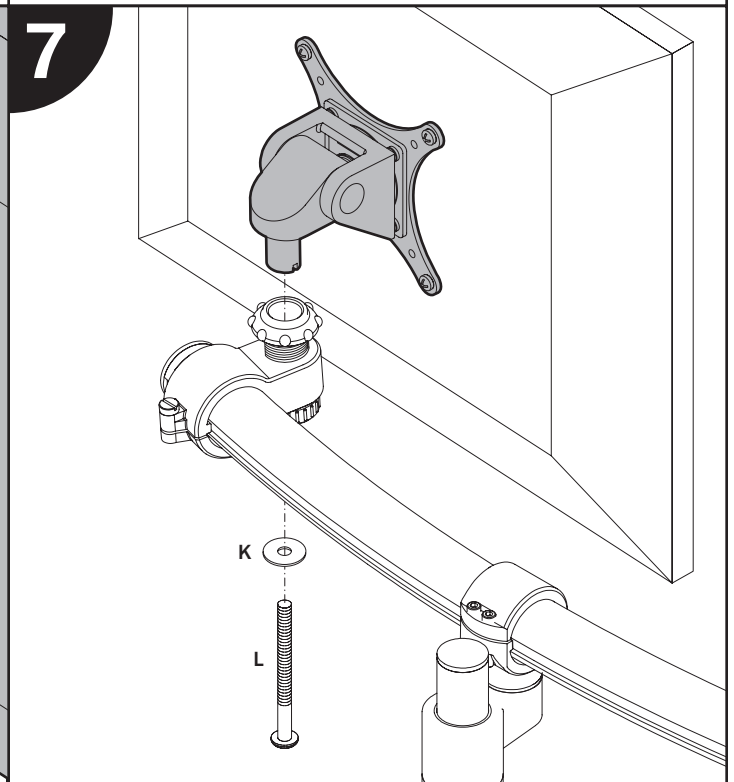
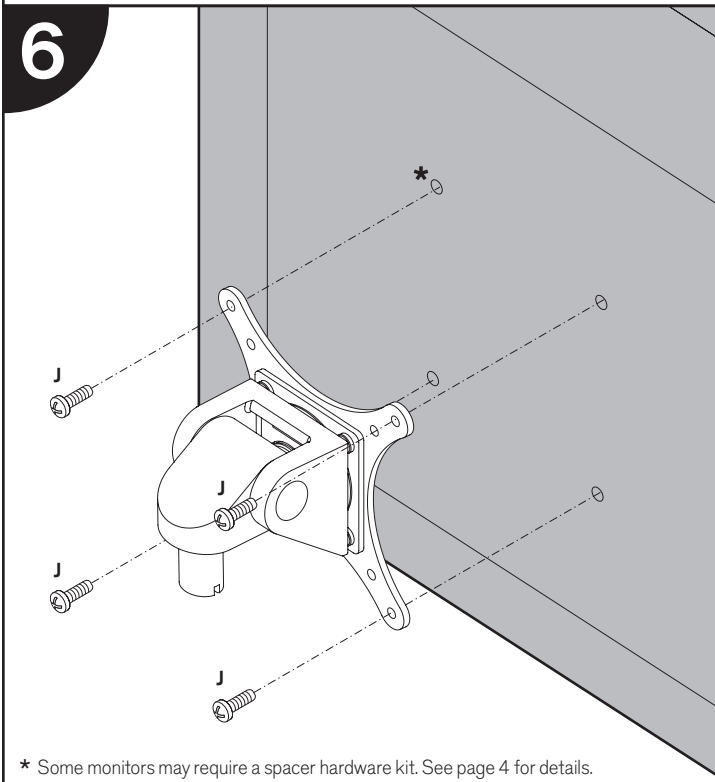
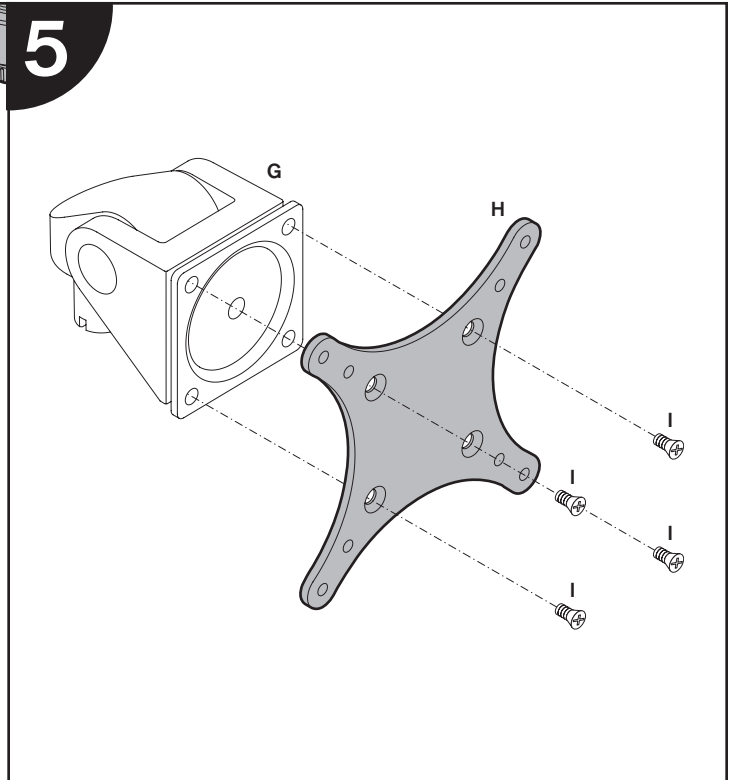
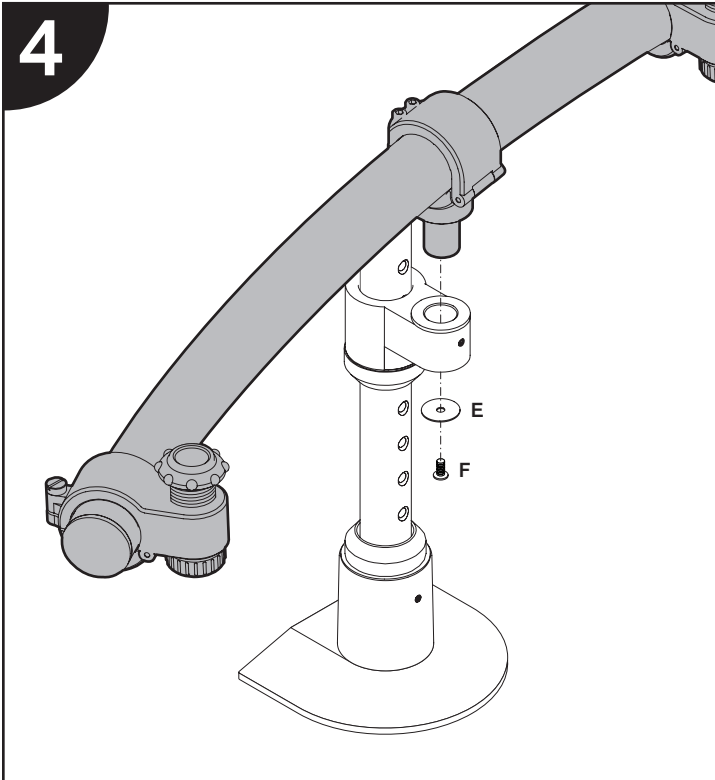
1b (2) POLE CONFIGURATION

* Mounts not included.

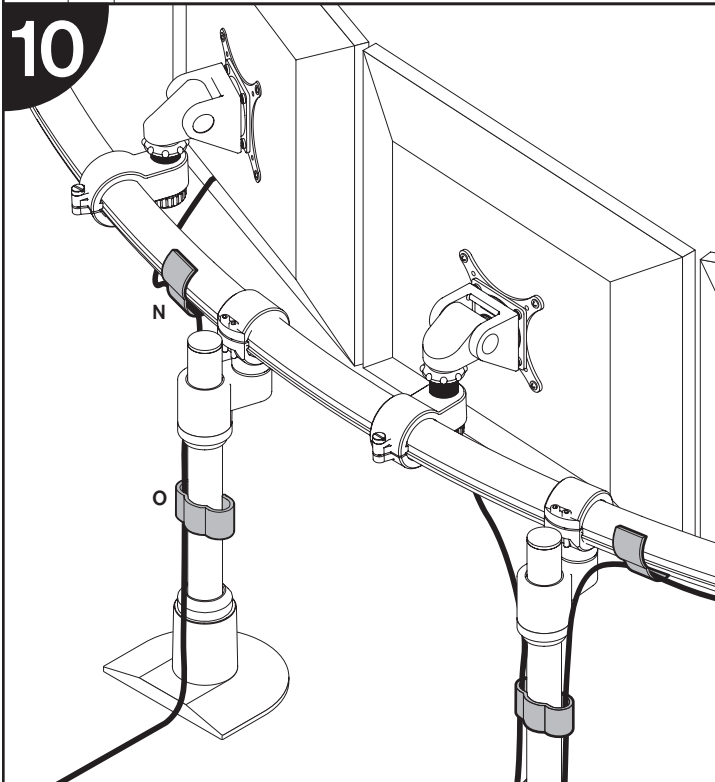
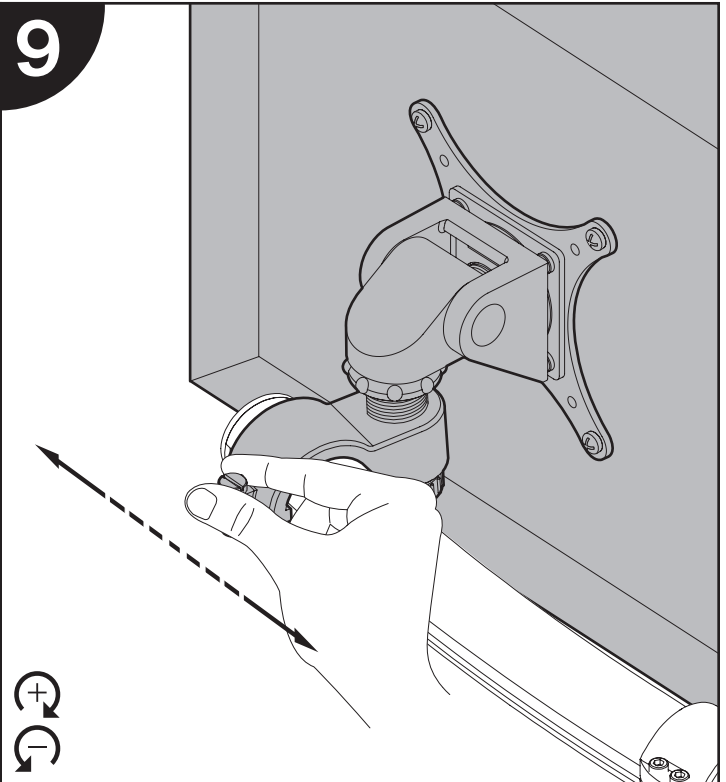
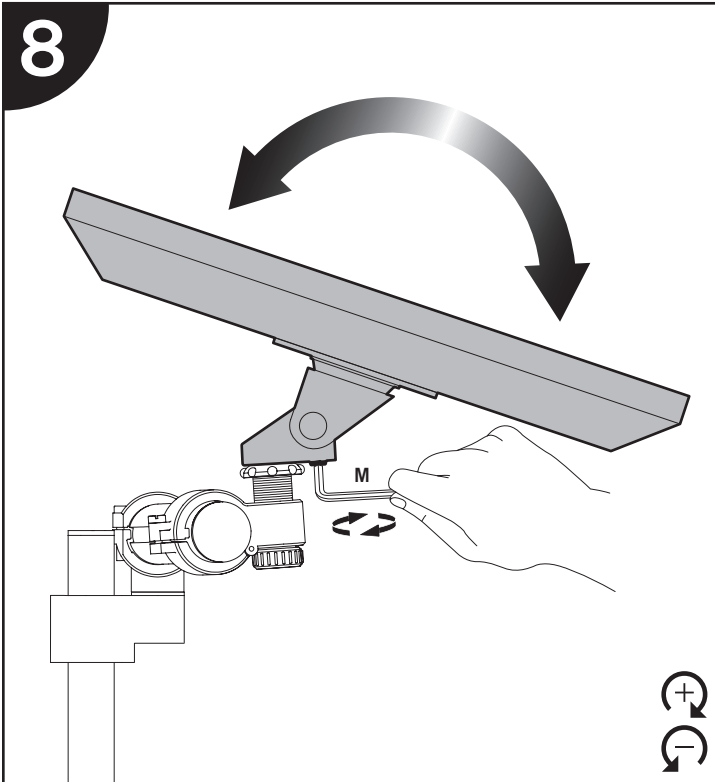
2

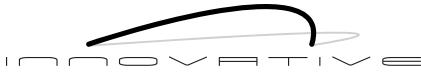
* Your mount may vary.

3




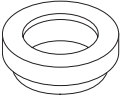

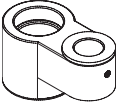
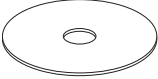
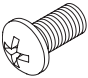
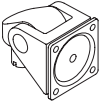

* Some monitors may require a spacer hardware kit. See page 4 for details.


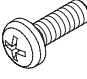
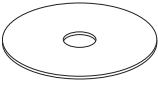
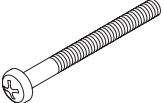

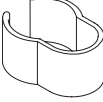





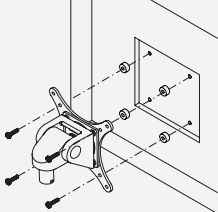
ARCVIEW™ 9169 SERIES

Parts List

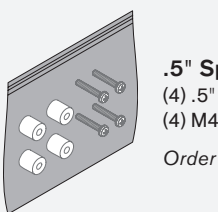
ITEM	DESCRIPTION/PART NO.	QUANTITY		
		Model#		
		9169-2	9169-3	9169-4
		9169-2P-2	9169-2P-3	
		9169-D-2	9169-D-3	9169-D-4
A 	Pole Snap Inside Grip 106648	2	2	4
		4	4	
		6	6	6
B 	Pole Snap Outer Cover 105197	2	2	4
		4	4	
		6	6	6
C 	3/32" Allen Wrench 700146	1	1	1
		1	1	
		1	1	1
D 	Short Arm 8406	1	1	2
		2	2	
		4	4	4
E 	Short Arm Washer 704197	1	1	2
		2	2	
		4	4	4
F 	10-32 x 3/8" PPHS 700115	1	1	2
		2	2	
		4	4	4
G 	Monitor Tilter 405397	2	3	4
		2	3	
		4	6	8
H 	75/100mm VESA® Adapter 105587	2	3	4
		2	3	
		4	6	8

ITEM	DESCRIPTION/PART NO.	QUANTITY		
		Model#		
		9169-2	9169-3	9169-4
		9169-2P-2	9169-2P-3	
		9169-D-2	9169-D-3	9169-D-4
I 	10-32 x 3/8" FPHS (4-pack) 702281	2	3	4
		2	3	
		4	6	8
J 	M4 x 12mm PPHS (4-pack) 702096	2	3	4
		2	3	
		4	6	8
K 	ArcView™ Tilter Washer 702281	2	3	4
		2	3	
		4	6	8
L 	Pan Head Tension Screw 105822	2	3	4
		2	3	
		4	6	8
M 	7/32" Allen Wrench 701127	1	1	1
		1	1	
		1	1	1
N 	Cable Cap 105445	2	2	2
		2	2	
		4	4	4
O 	Cable Cap 702506	1	1	2
		2	2	
		4	4	4

OPTIONAL SPACER KITS In some cases, the mounting surface on your monitor may be recessed further than permitted by VESA® standards. As a result, a spacer kit may be required.



.25" Spacer Hardware Kit
 (4) .25" Spacers
 (4) M4 x 18mm Phillips Pan Head Screws
 Order # P404923-B



.5" Spacer Hardware Kit
 (4) .5" Spacers
 (4) M4 x 25mm Phillips Pan Head Screws
 Order # P404923-C