

# ArcView™ (9177 Series) Installation Instructions

www.LCDarms.com | 800.524.2744

**1** Attach the arm to the base.

**2** Connect the arm to the monitor.

**3** Mount the arm to the wall.

**4** Attach the arm to the monitor bezel.

**5** Connect the arm to the monitor.

**6** Adjust the monitor's tilt.

**7** Adjust the monitor's rotation.

**8** Adjust the monitor's height.

**9** Adjust the monitor's depth.

**10** Adjust the monitor's rotation.

**11** Adjust the monitor's height.

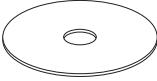
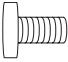
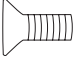
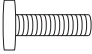
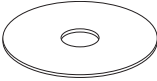
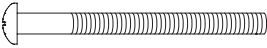



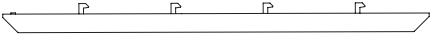
**?**

800.524.2744  
www.LCDarms.com



# ArcView™ (9177 Series) Parts List

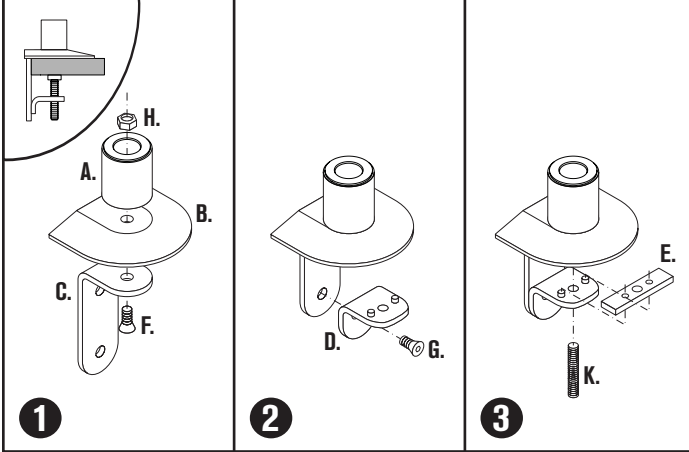
www.LCDarms.com | 800.524.2744

ITEM	DESCRIPTION / PART NO.	QUANTITY	
		Model# 9177-2	Model# 9177-3
A. 	<b>Short Arm Washer</b> 704197	1	1
B. 	<b>10-32 x 3/8" (9.525mm) Phillips Pan Head Screw</b> 700115	1	1
C. 	<b>10-32 x 3/8" (9.525mm) Phillips Flat Head Screw</b> 702281	2 (4-pack)	3 (4-pack)
D. 	<b>M4-12 Phillips Pan Head Screw</b> 702096	8	12
E. 	<b>ArcView Tilter Washer</b> 105823	2	3
F. 	<b>Pan Head Tension Screw</b> 105822	2	3
G. 	<b>7/32" (5.563mm) Allen Wrench</b> 701127	1	1
H. 	<b>3/32" (2.388mm) Allen Wrench</b> 700146	1	1
I. 	<b>Cable Clip</b> 105445	2	2
J. 	<b>Cable Cap</b> 702830	1	1

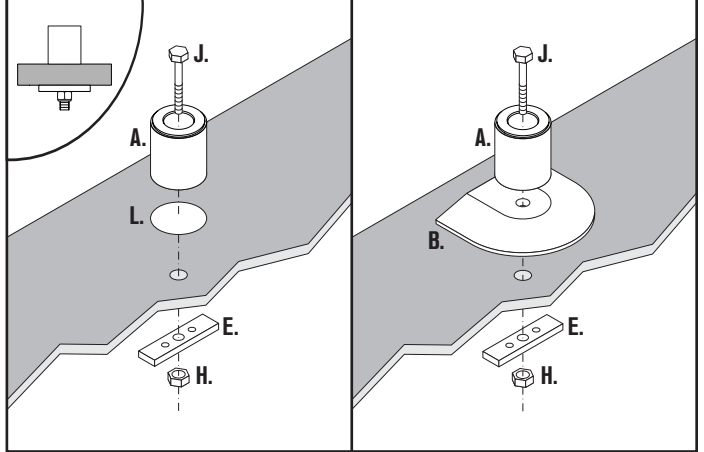
# FLEXmount™ Installation Instructions

www.LCDarms.com | 800.524.2744

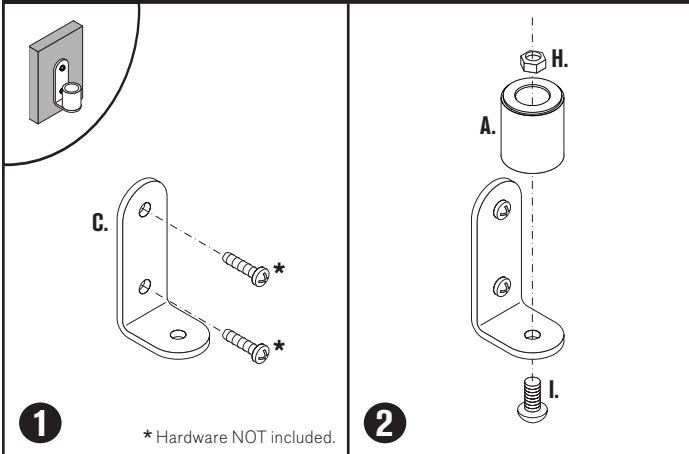
## Desk Clamp



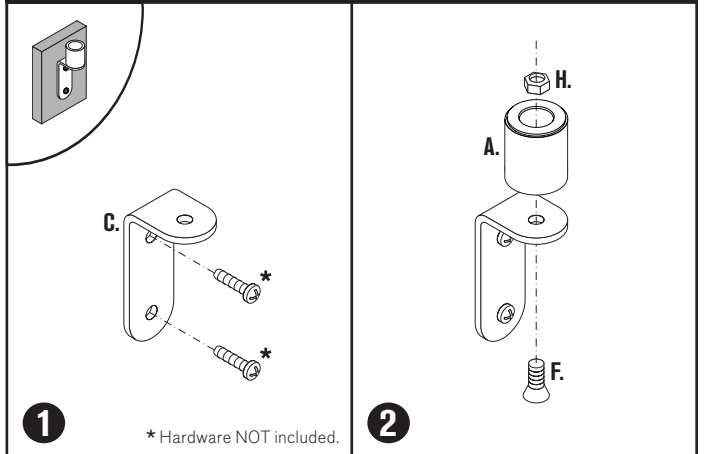
## Thru-Desk



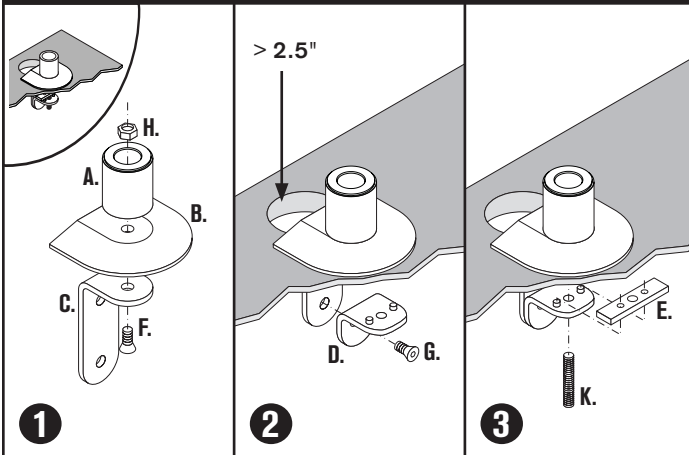
## Wall Mount



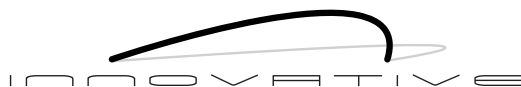
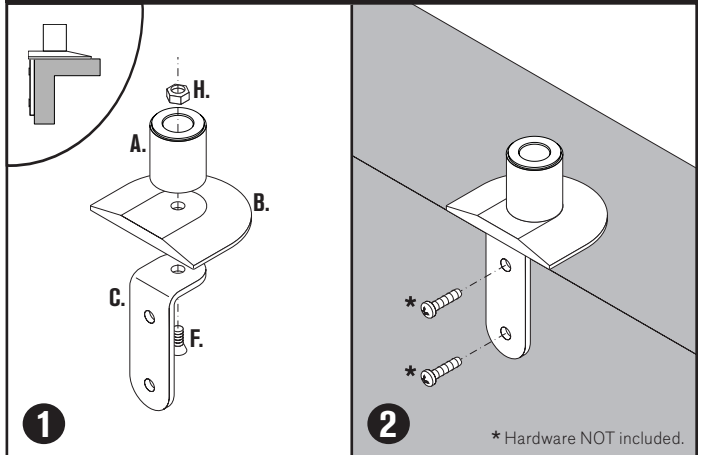
## Reverse Wall Mount



## Grommet Hole


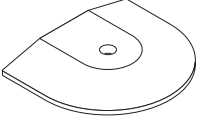
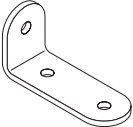
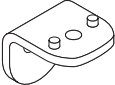
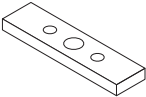
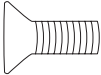
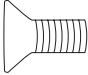

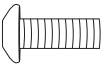
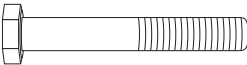
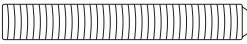



## Side Bolt



# FLEXmount™ Parts List

www.LCDarms.com | 800.524.2744

ITEM	DESCRIPTION / PART NO.	QUANTITY
A. 	<b>Mount Column</b> 401328 - Model 7000, Model 7045, Model 3500, Model 3545 8269 - Model 7500, iLift™, ArcView™ (9177-2 & 9177-3)	1
B. 	<b>Base Plate</b> 401417 - Model 7000, Model 7045, Model 3500, Model 3545 8321 - Model 7500, iLift™, ArcView™ (9177-2 & 9177-3)	1
C. 	<b>Large "L" Bracket</b> 701117 - Model 7000, Model 7045, Model 3500, Model 3545 702828 - Model 7500, iLift™, ArcView™ (9177-2 & 9177-3)	1
D. 	<b>Small "L" Bracket</b> 701116	1
E. 	<b>3" (76.2mm) x 3/4" (19.05mm) x 1/4" (6.35mm) Rectangular Spacer</b> 701544	1
F. 	<b>3/8-16 x 1" (25.4mm) Flat Socket Cap Screw</b> 701124 - Model 7000, Model 7045, Model 3500, Model 3545 701855 - 3/8-16 x 1-1/4" (31.75mm) - Model 7500, iLift™, ArcView™ (9177-2 & 9177-3)	1
G. 	<b>3/8-16 x 7/8" (22.225mm) Flat Socket Cap Screw</b> 701799	1
H. 	<b>3/8-16 Nylon Stop Nut</b> 701418	1
I. 	<b>3/8-16 x 7/8" (22.225mm) Button Socket Cap Screw</b> 701122	1
J. 	<b>3/8-16 x 2-1/2" (63.5mm) Hex Head Bolt</b> 700268	1
K. 	<b>1/2-13 x 3" (76.2mm) Socket Set Screw</b> 701126	1
L. 	<b>Foam Pad</b> (Included with Model 7000 only) 701120	1