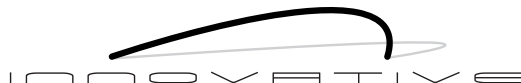
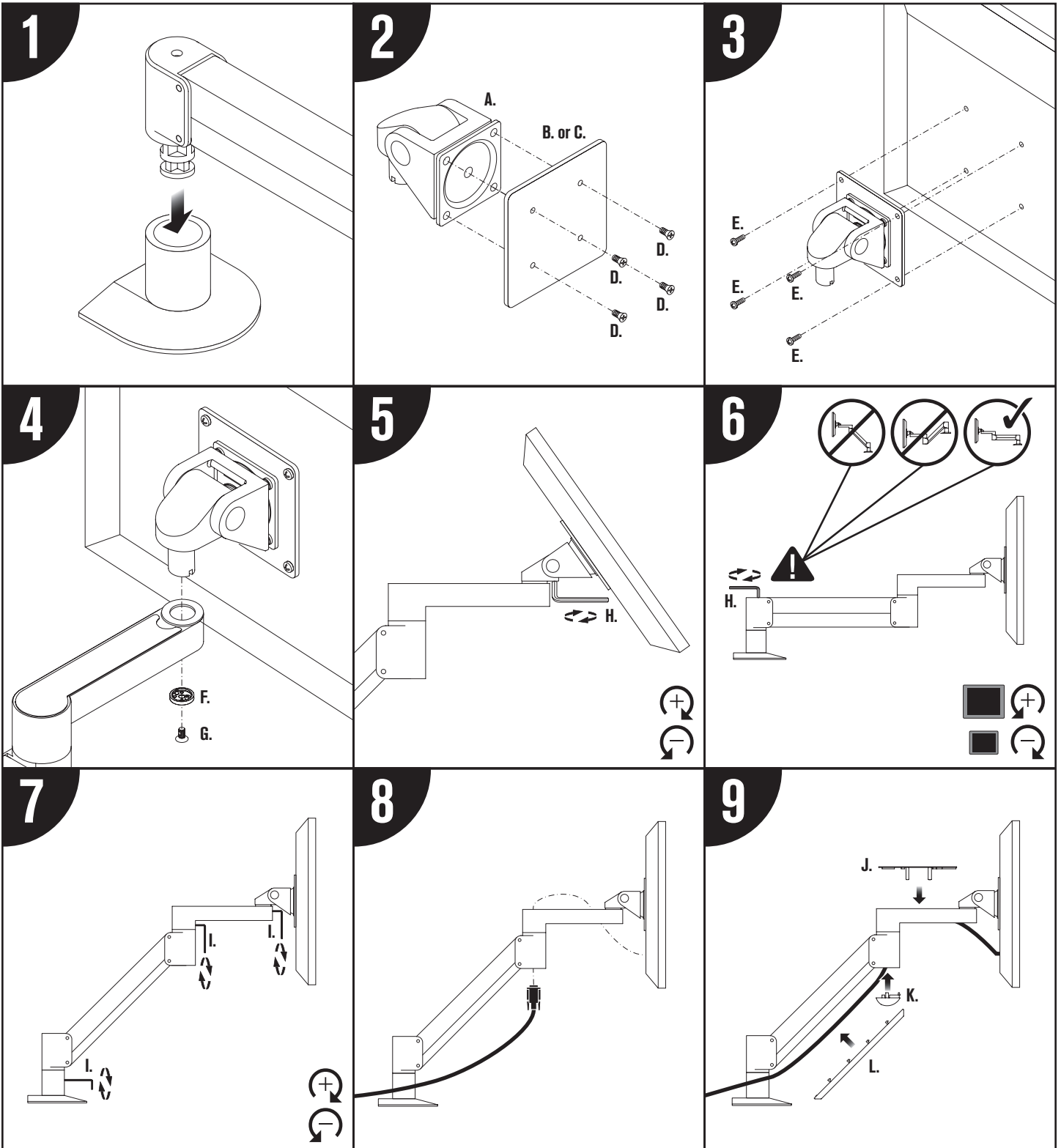


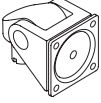
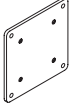
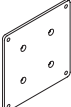
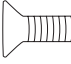
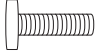

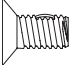



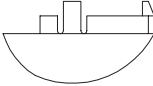

Model 7500 Installation Instructions

www.LCDarms.com | 800.524.2744



Model 7500 Parts List

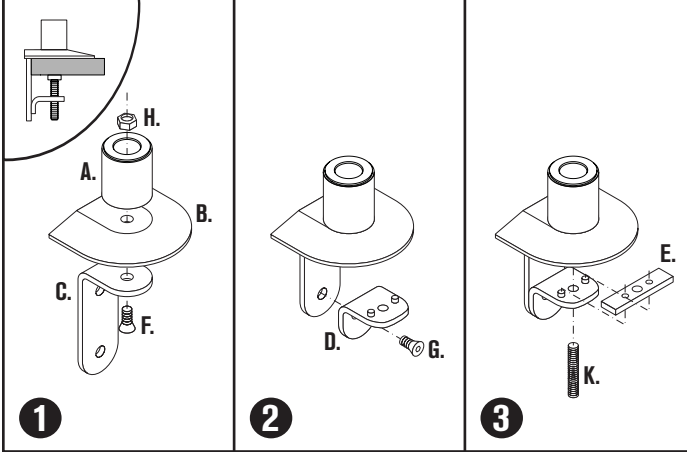
www.LCDarms.com | 800.524.2744

| ITEM | DESCRIPTION / PART NO. | QUANTITY |
|--|--|------------|
| A.  | Sloped Tilter 405397 | 1 |
| B.  | 75mm VESA Adapter Plate 7VESA75 | 1 |
| C.  | 100mm VESA Adapter Plate 7VESA100 | 1 |
| D.  | 10-32 x 3/8" (9.525mm) Phillips Flat Head Screw 702281 | 1 (4-pack) |
| E.  | M4-12 Phillips Pan Head Screw 702096 | 4 |
| F.  | Dog Washer 105189 | 1 |
| G.  | 10-32 x 3/8" (9.525mm) FPHMS with Lock Patch 705198 | 1 |
| H.  | 7/32" (5.563mm) Allen Wrench 701127 | 1 |
| I.  | 3/32" (2.388mm) Allen Wrench 700146 | 1 |
| J.  | Forearm Cap 702825 | 1 |
| K.  | Endcap Bumper 702829 | 1 |
| L.  | Cable Cap 702830 | 1 |

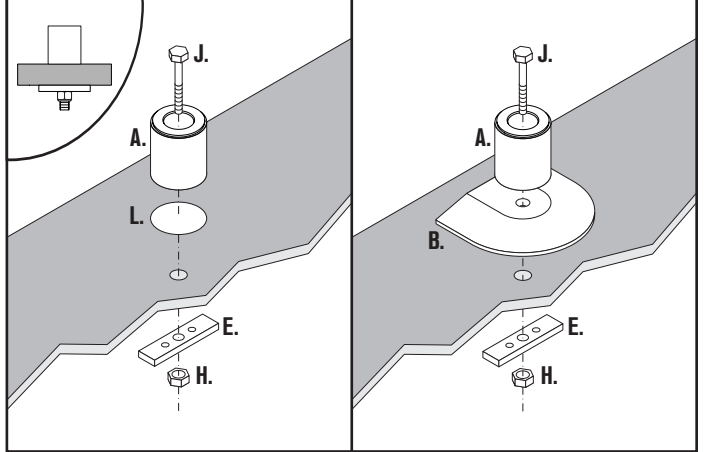
FLEXmount™ Installation Instructions

www.LCDarms.com | 800.524.2744

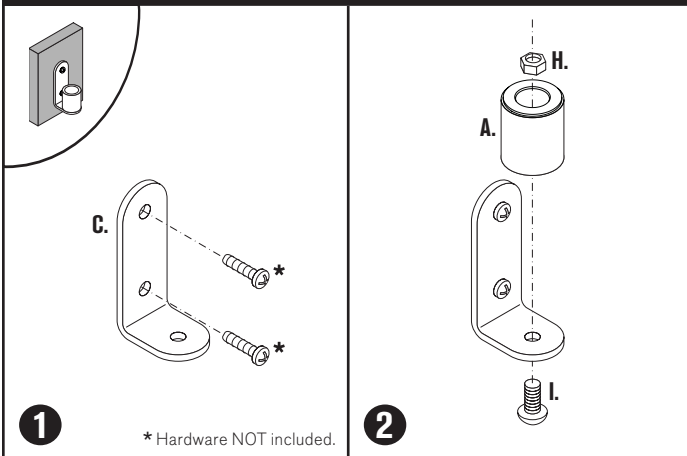
Desk Clamp



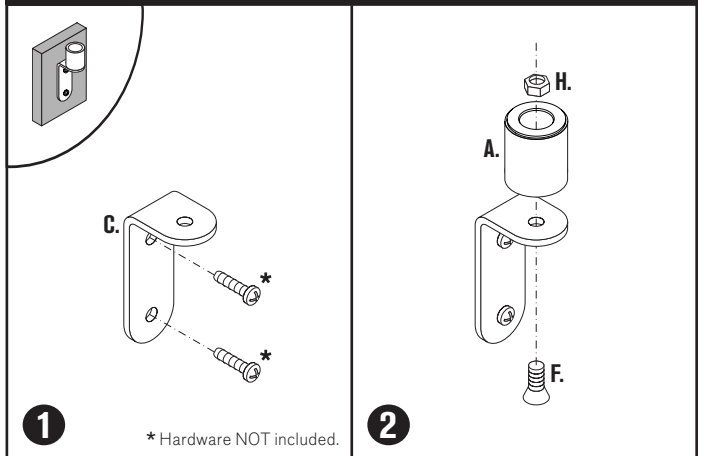
Thru-Desk



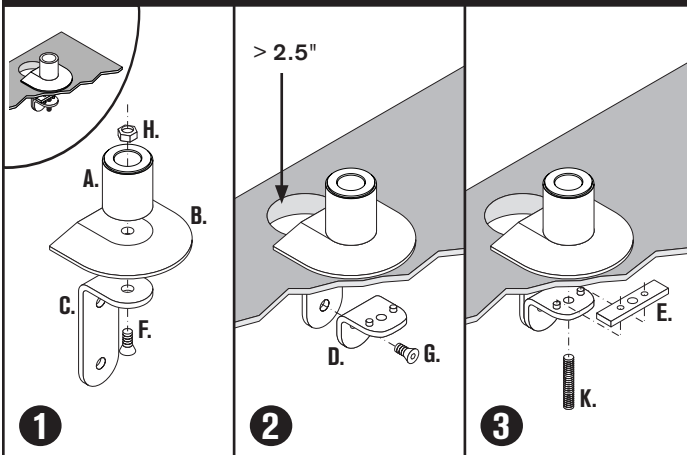
Wall Mount



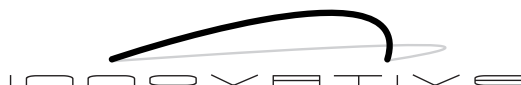
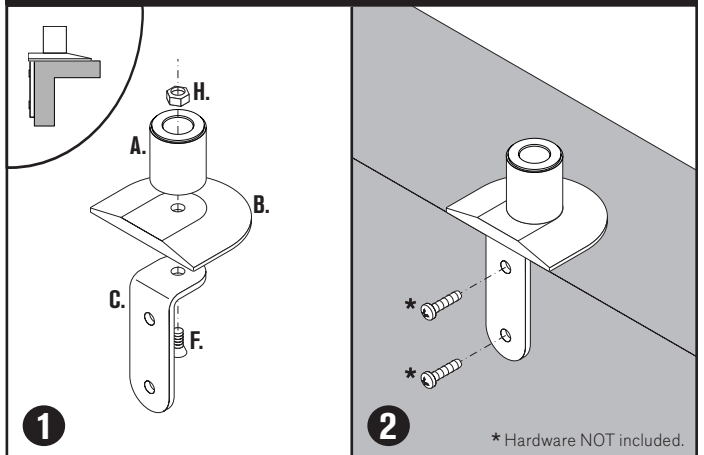
Reverse Wall Mount



Grommet Hole


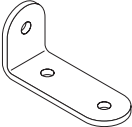
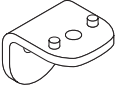
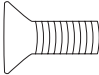
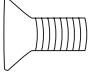

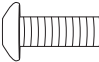
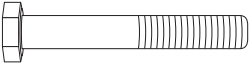
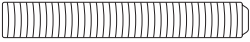



Side Bolt



FLEXmount™ Parts List

www.LCDarms.com | 800.524.2744

| ITEM | DESCRIPTION / PART NO. | QUANTITY |
|------|--|----------|
| A. |  <p>Mount Column 401328 - Model 7000, Model 7045, Model 3500, Model 3545 8269 - Model 7500, iLift™, ArcView™ (9177-2 & 9177-3)</p> | 1 |
| B. |  <p>Base Plate 401417 - Model 7000, Model 7045, Model 3500, Model 3545 8321 - Model 7500, iLift™, ArcView™ (9177-2 & 9177-3)</p> | 1 |
| C. |  <p>Large “L” Bracket 701117 - Model 7000, Model 7045, Model 3500, Model 3545 702828 - Model 7500, iLift™, ArcView™ (9177-2 & 9177-3)</p> | 1 |
| D. |  <p>Small “L” Bracket 701116</p> | 1 |
| E. |  <p>3" (76.2mm) x 3/4" (19.05mm) x 1/4" (6.35mm) Rectangular Spacer 701544</p> | 1 |
| F. |  <p>3/8-16 x 1" (25.4mm) Flat Socket Cap Screw 701124 - Model 7000, Model 7045, Model 3500, Model 3545 701855 - 3/8-16 x 1-1/4" (31.75mm) - Model 7500, iLift™, ArcView™ (9177-2 & 9177-3)</p> | 1 |
| G. |  <p>3/8-16 x 7/8" (22.225mm) Flat Socket Cap Screw 701799</p> | 1 |
| H. |  <p>3/8-16 Nylon Stop Nut 701418</p> | 1 |
| I. |  <p>3/8-16 x 7/8" (22.225mm) Button Socket Cap Screw 701122</p> | 1 |
| J. |  <p>3/8-16 x 2-1/2" (63.5mm) Hex Head Bolt 700268</p> | 1 |
| K. |  <p>1/2-13 x 3" (76.2mm) Socket Set Screw 701126</p> | 1 |
| L. |  <p>Foam Pad (Included with Model 7000 only) 701120</p> | 1 |