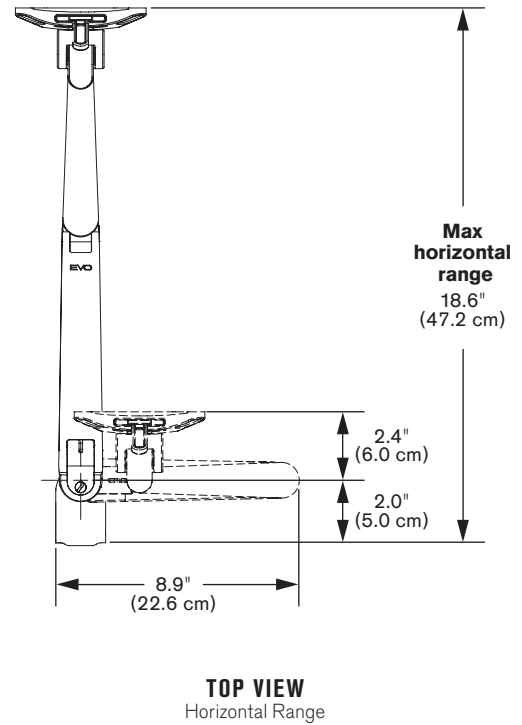
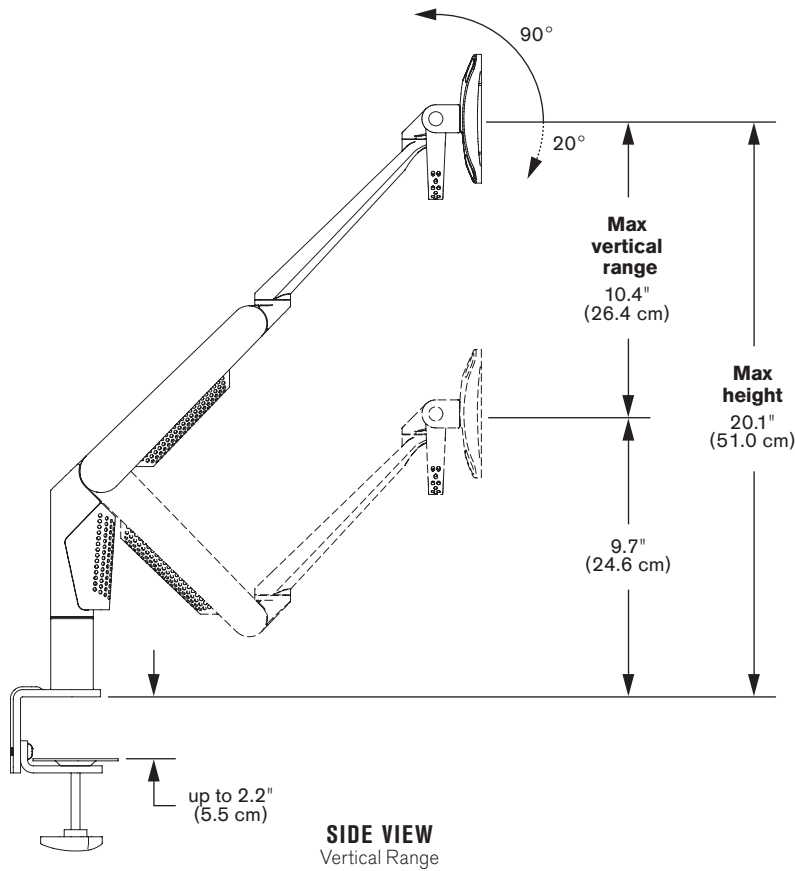


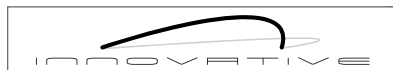
EVO[®] LCD Arm

Specifications



CAPABILITIES

- Vertical range** +/- 5.2" (13.2 cm) from horizontal
- Horizontal range** 18.6" (47.2 cm)
- Rotation** 360° at two joints, 180° at base
- Monitor tilt** 90° up, 20° down from center
- Monitor pivot** Landscape to portrait
- Monitor compatibility** VESA[®] 75mm and 100mm
- Cable management** Cables are clipped beneath arm
- Mounting options** Desk Edge, Grommet, Thru-Desk
- Monitor weight** (at standard monitor depths) 7 - 20 lbs (3.2 - 9.0 kg)



Phone: 800.524.2744 | Fax: 610.253.9521 | E-mail: sales@LCDarms.com | Web: www.LCDarms.com

This product is protected by one or more of the following U.S. Patent Nos. and other United States and foreign patents applied for: 119,345, 119,346, 1,324,842, 2,470,525, 6,076,785, 6,273,383, 6,409,134, 6,478,274, 6,499,704, 6,505,988, 6,609,691, 6,19,606, 6,719,253, 6,726,167, 6,736,364, 6,783,105, 6,854,698, 6,915,994, 6,935,883, 6,955,328, 6,983,917, 6,986,489, 7,014,157, 7,017,874, 7,048,242, 7,059,574, 7,063,296, 7,066,433, 7,066,435, 7,389,965, 7,665,699, D435,852, D491,952, D492,893, D670,853, D675,293. US & Int'l Patents Pending. EVO[®] and Better Balance[®] are trademarks of Innovative Office Products, Inc., registered in the U.S. Patent and Trademark Office.