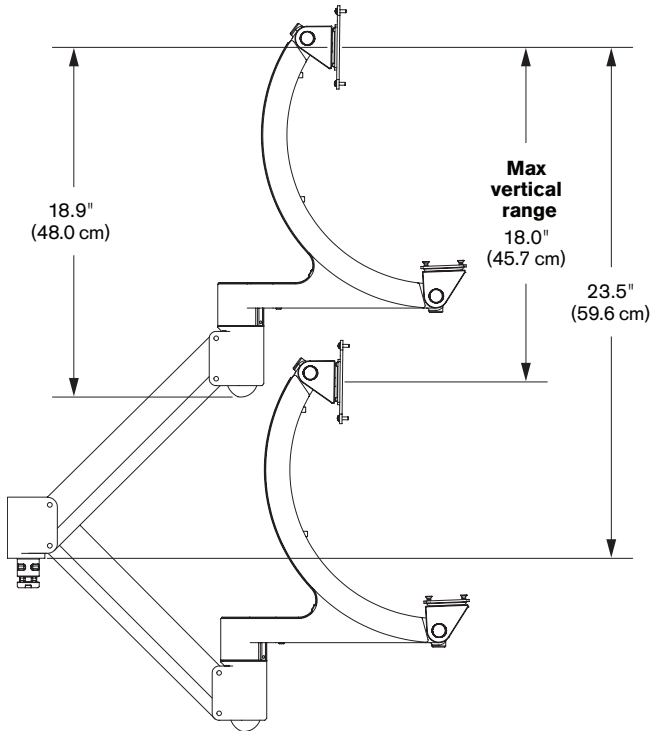
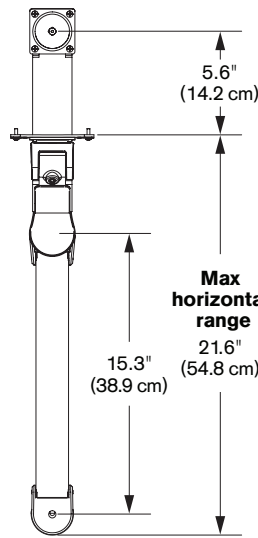


Model 7520

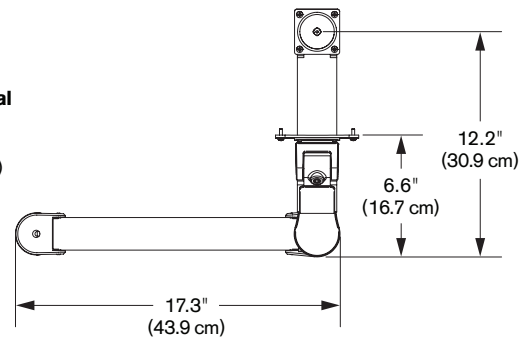
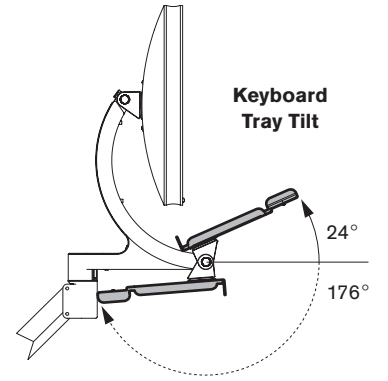
Specifications



VERTICAL RANGE
Side View



HORIZONTAL RANGE
Top View



ARM FOLDED
Top View

CAPABILITIES

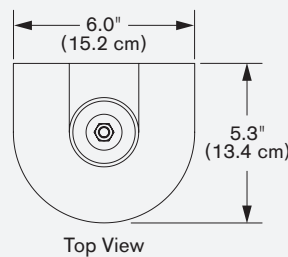
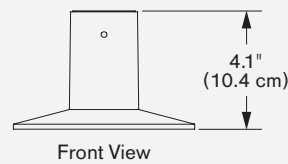
Vertical range..... 18.0" (45.7 cm), +/- 9" (22.9 cm) from horizontal

Horizontal range.....21.6" (54.8 cm)

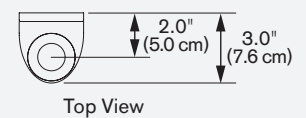
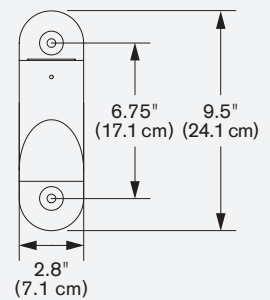
Monitor compatibility.....VESA® 75mm and 100mm

Cable managementCables are concealed in arm

MOUNTS



FLEXMOUNT™
MODEL 8318



WALL MOUNT
MODEL 8325



Phone: 800.524.2744 | Fax: 610.253.9521 | E-mail: sales@LCDarms.com | Web: www.LCDarms.com