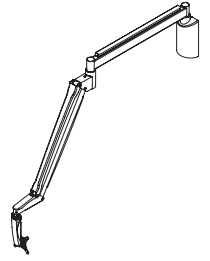
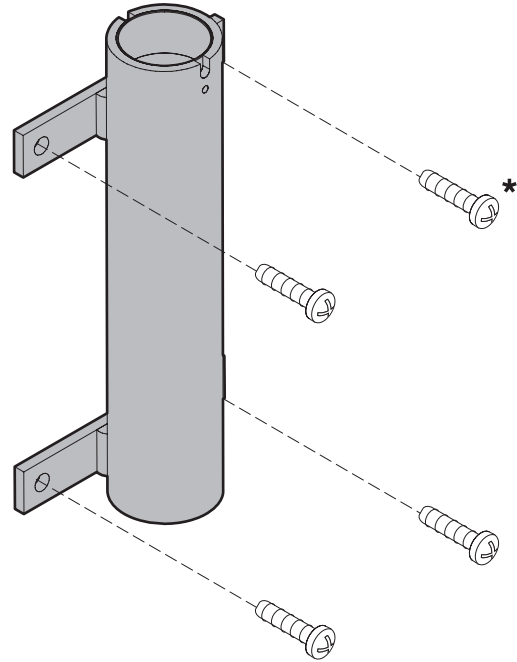
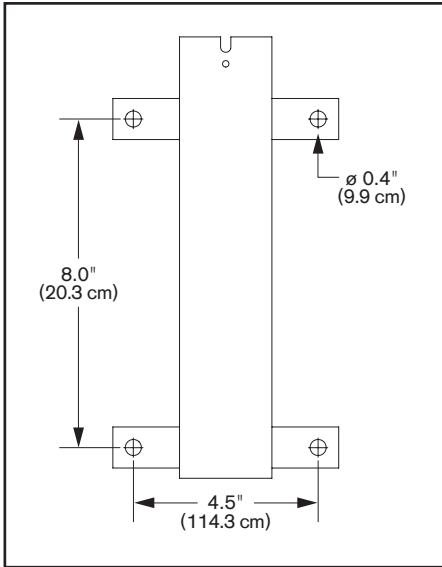


MODEL 9450

Installation Instructions

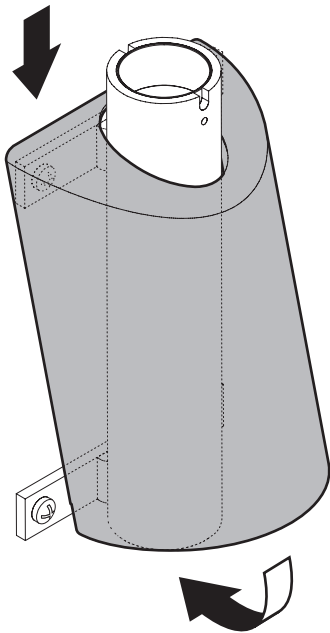


1

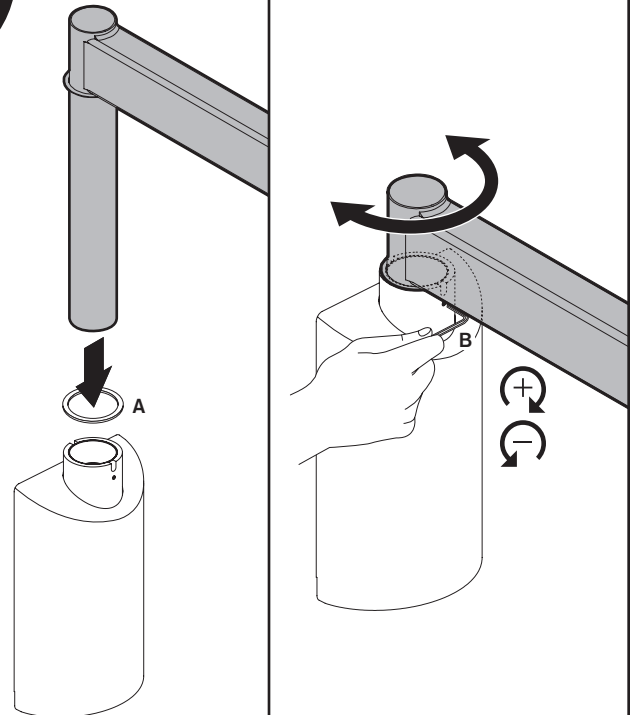


* Hardware not included.

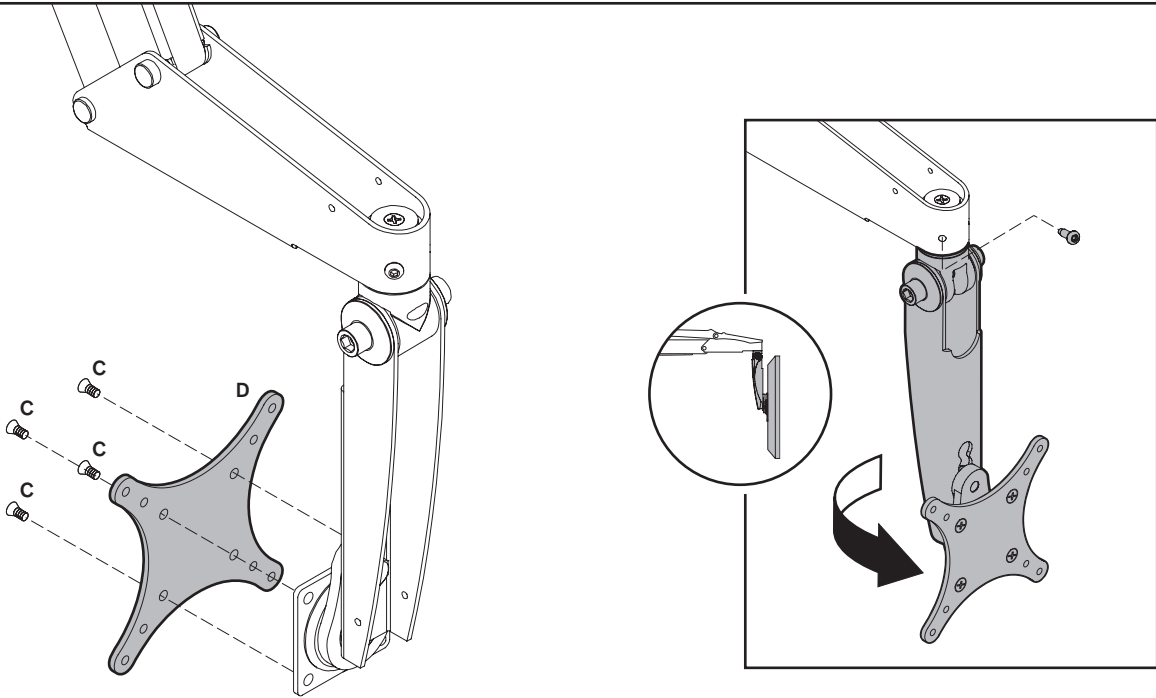
2



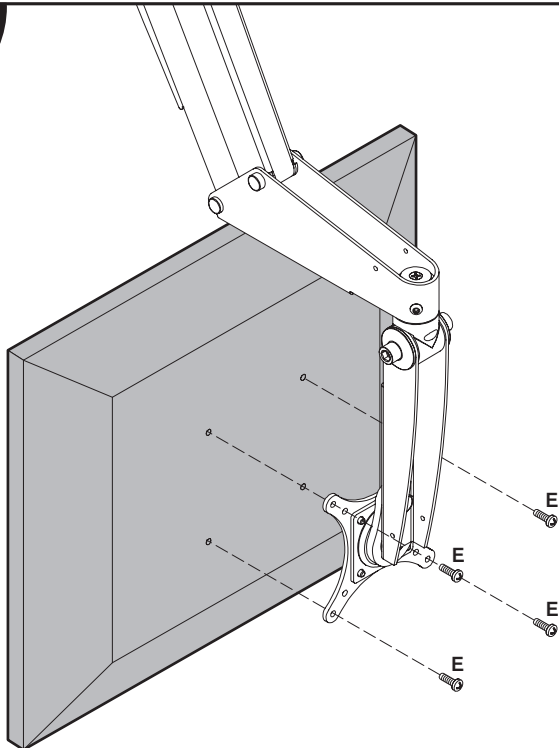
3



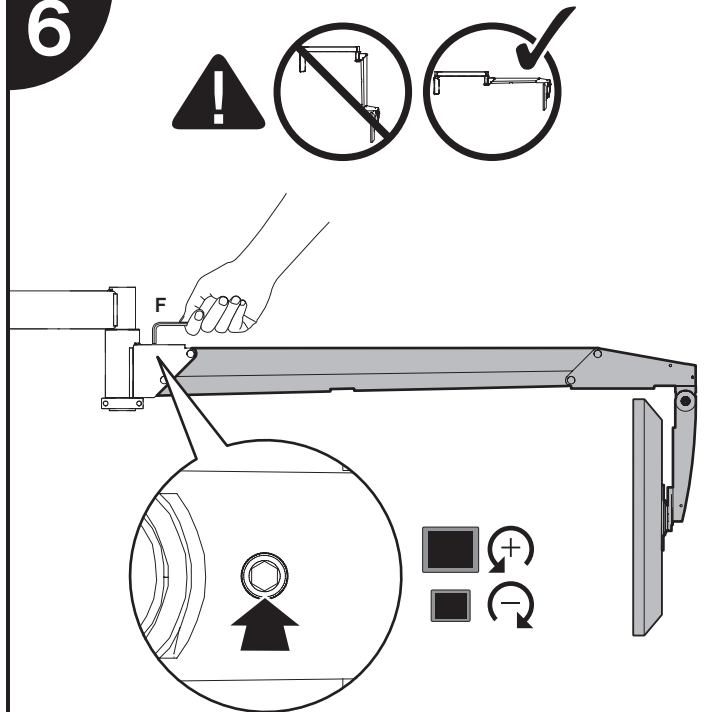
4

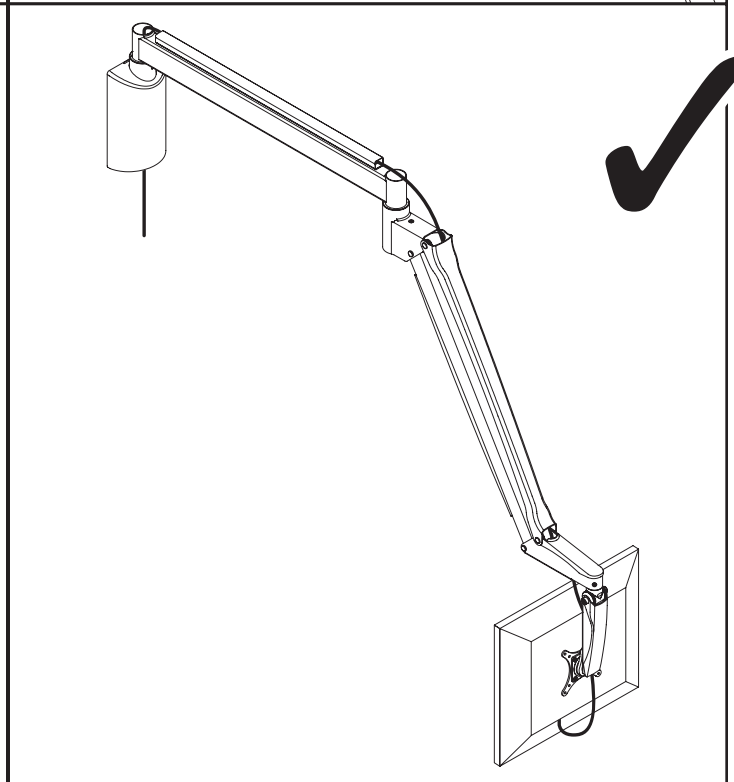
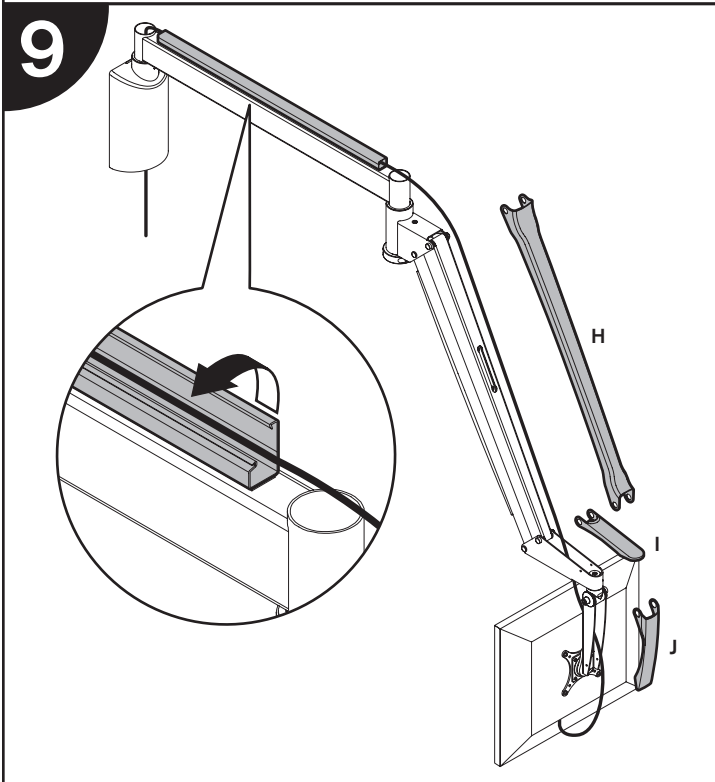
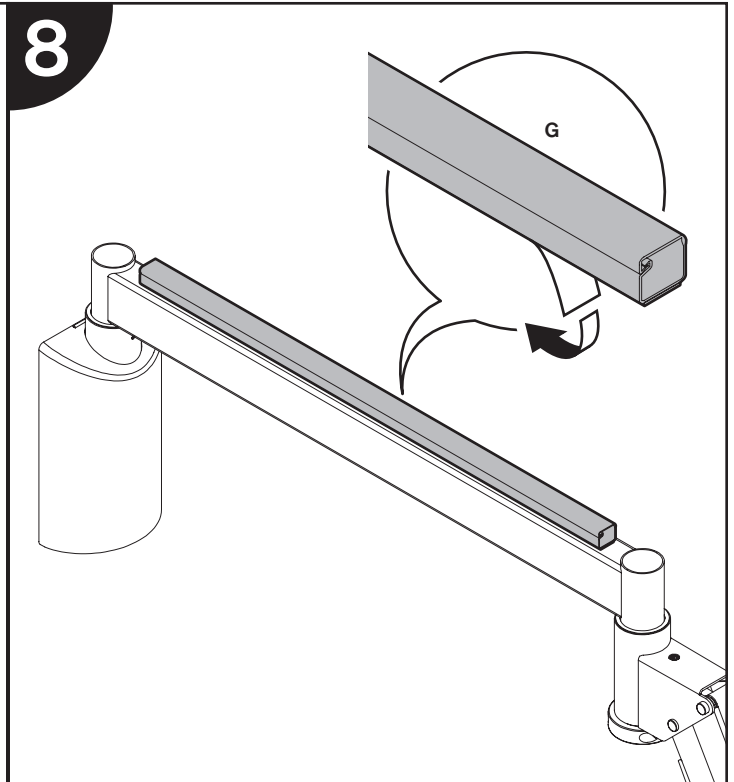
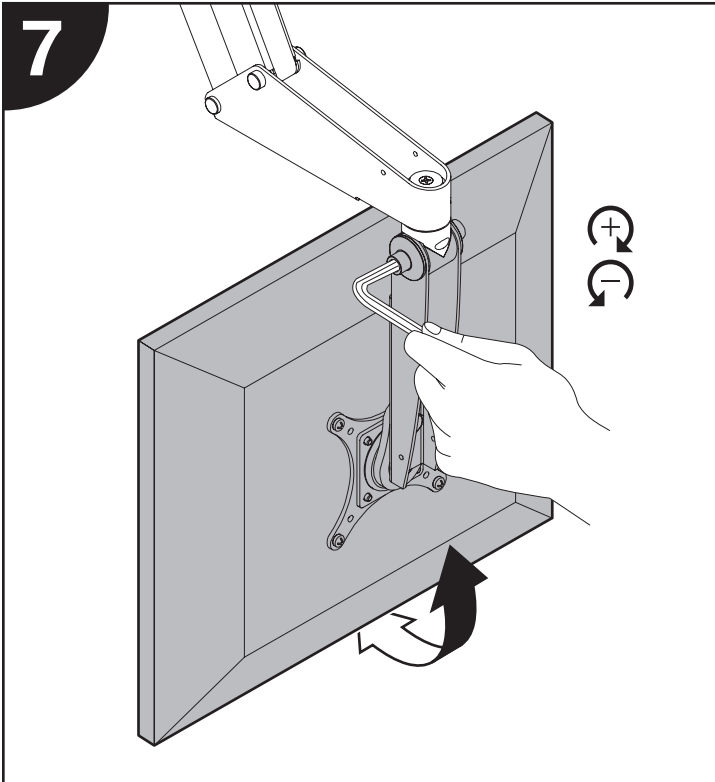


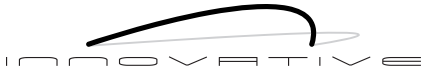
5



6







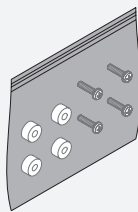
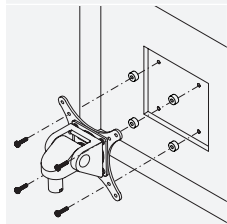
MODEL 9450

Parts List

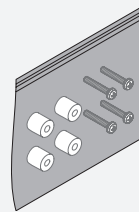
ITEM	DESCRIPTION / PART NO.	QUANTITY
A	Thrust Washer 702833	1
B	3/32" Allen Wrench 700146	1
C	10-32 x 3/8" Phillips Flat Head Screw 702281	1 (4-pack)
D	75/100mm VESA® Adapter Plate 105587	1
E	M4-12 Phillips Pan Head Screw 702096	4 (4-pack)

ITEM	DESCRIPTION / PART NO.	QUANTITY
F	7/32" Allen Wrench 701127	1
G	26" Cable Manager 110160	1
H	Channel Arm Cover 106593	1
I	End Cap Cover 106002	1
J	Tilter Swing Arm Cover 106005	1

OPTIONAL SPACER KITS In some cases, the mounting surface on your monitor may be recessed further than permitted by VESA® standards. As a result, a spacer kit may be required.



.25" Spacer Hardware Kit
 (4) .25" Spacers
 (4) M4 x 18mm Phillips Pan Head Screws
 Order # P404923-B



.5" Spacer Hardware Kit
 (4) .5" Spacers
 (4) M4 x 25mm Phillips Pan Head Screws
 Order # P404923-C