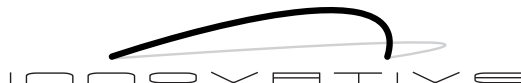
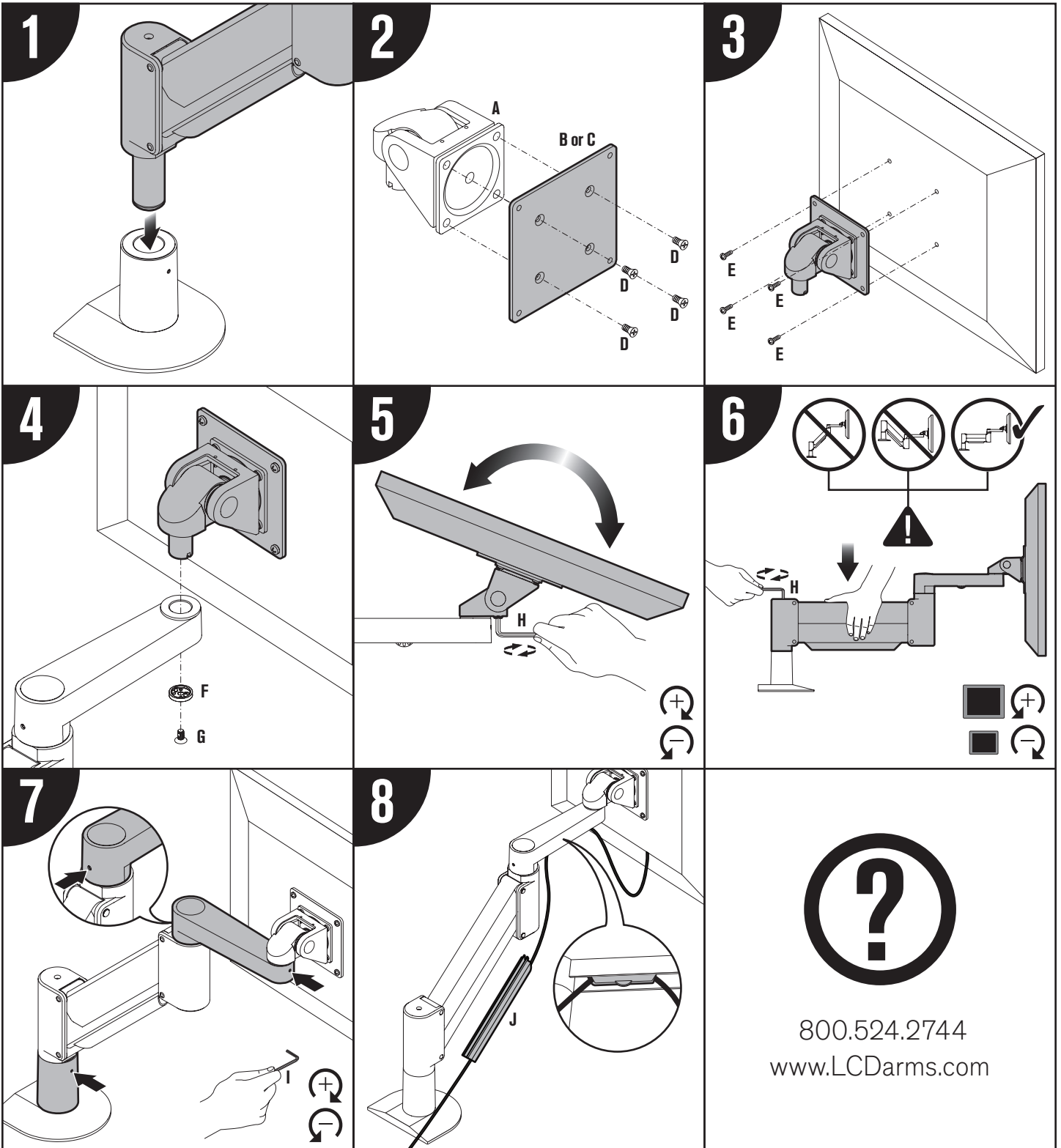


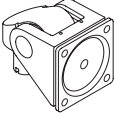
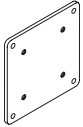
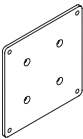

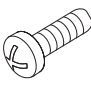
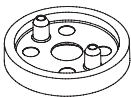

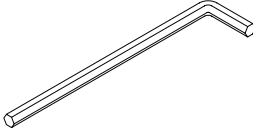

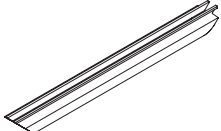
# Model 9105 Installation Instructions

www.LCDarms.com | 800.524.2744



# Model 9105 Parts List

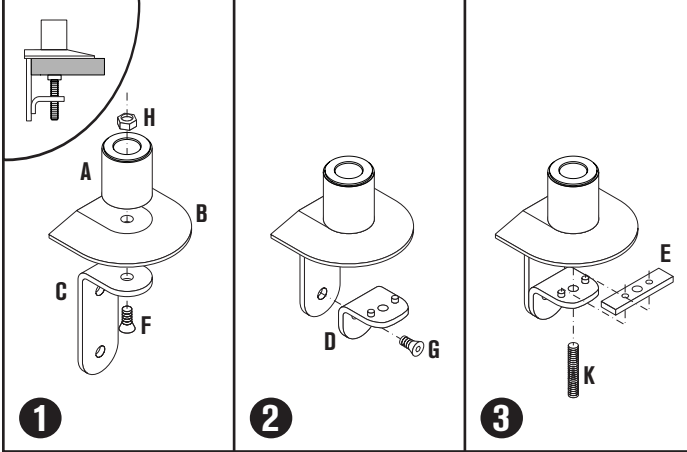
www.LCDarms.com | 800.524.2744

ITEM	DESCRIPTION / PART NO.	QUANTITY
A 	<b>Spring-Assisted Tilter</b> 407747	1
B 	<b>75mm VESA® Adapter Plate</b> 7VESA75	1
C 	<b>100mm VESA® Adapter Plate</b> 7VESA100	1
D 	<b>10-32 x 3/8" Phillips Flat Head Screw</b> 702281	1 (4-pack)
E 	<b>M4-12 Phillips Pan Head Screw</b> 702096	4
F 	<b>Dog Washer</b> 105189	1
G 	<b>10-32 x 3/8" FPhMS with Lock Patch</b> 705198	1
H 	<b>7/32" Allen Wrench</b> 701127	1
I 	<b>3/32" Allen Wrench</b> 700146	1
J 	<b>Cable Cap</b> 102043-9.5A	1

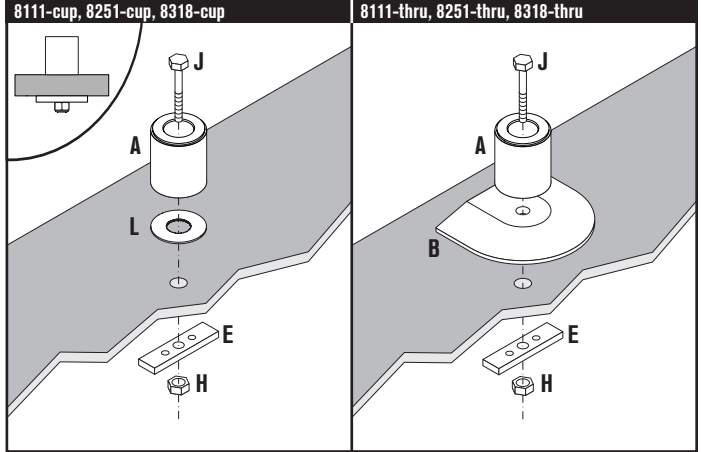
# FLEXmount™ Installation Instructions

www.LCDarms.com | 800.524.2744

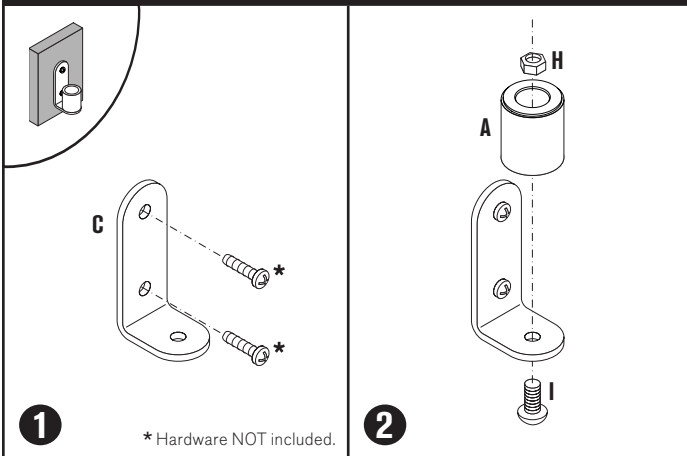
## Desk Clamp



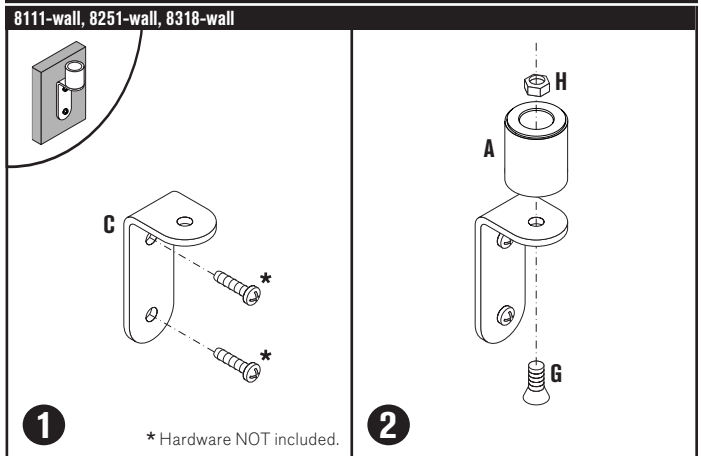
## Thru-Desk



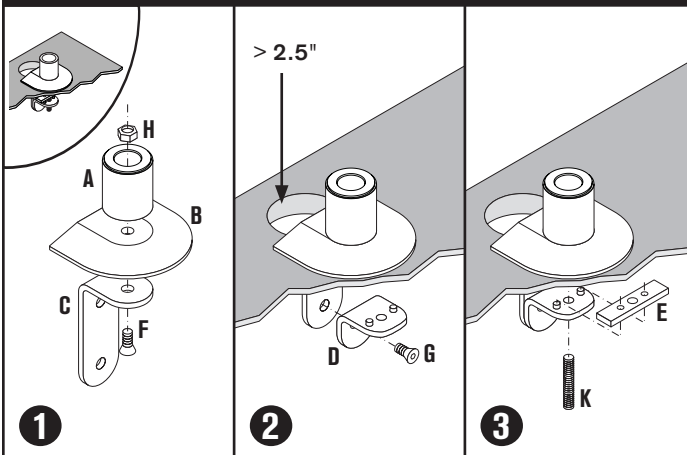
## Wall Mount



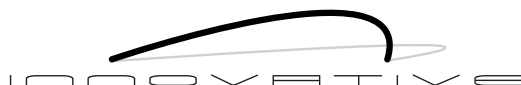
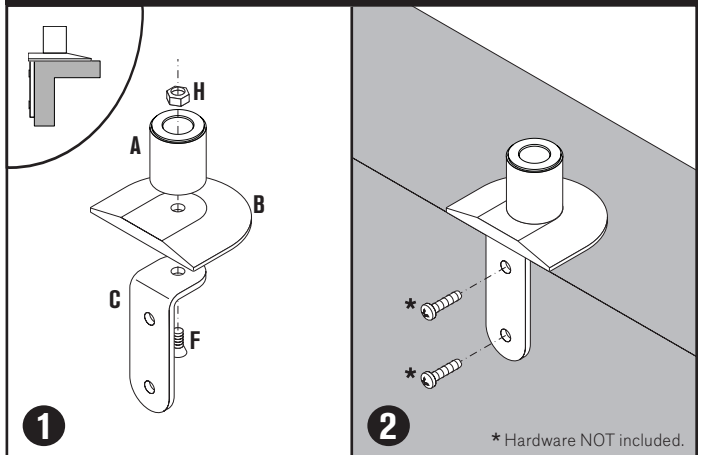
## Reverse Wall Mount



## Grommet Hole



## Side Bolt



# FLEXmount™ Parts List

www.LCDarms.com | 800.524.2744

ITEM	DESCRIPTION / PART NO.	QUANTITY
A	<b>Mount Column</b> 401328 - Model 7000, Model 7045, Model 3500, Model 3545 8269 - Model 7500, iLift™, ArcView™ (9177-2 & 9177-3)	1
B	<b>Base Plate</b> 401417 - Model 7000, Model 7045, Model 3500, Model 3545 8321 - Model 7500, iLift™, ArcView™ (9177-2 & 9177-3)	1
C	<b>Large "L" Bracket</b> 701117 - Model 7000, Model 7045, Model 3500, Model 3545 702828 - Model 7500, iLift™, ArcView™ (9177-2 & 9177-3)	1
D	<b>Small "L" Bracket</b> 701116	1
E	<b>3" (76.2 mm) x 3/4" (19.05 mm) x 1/4" (6.35 mm) Rectangular Spacer</b> 701544	1
F	<b>3/8-16 x 1" (25.4 mm) Flat Socket Cap Screw</b> 701124 - Model 7000, Model 7045, Model 3500, Model 3545 701855 - 3/8-16 x 1-1/4" (31.75mm) - Model 7500, iLift™, ArcView™ (9177-2 & 9177-3)	1
G	<b>3/8-16 x 7/8" (22.225mm) Flat Socket Cap Screw</b> 701799	1
H	<b>3/8-16 Nylon Stop Nut</b> 701418	1
I	<b>3/8-16 x 7/8" (22.225 mm) Button Socket Cap Screw</b> 701122	1
J	<b>3/8-16 x 2-1/2" (63.5 mm) Hex Head Bolt</b> 700268	1
K	<b>1/2-13 x 3" (76.2 mm) Socket Set Screw</b> 701126	1
L	<b>Foam Pad (Included with Model 7000 only and 8111-cup)</b> 701120	1