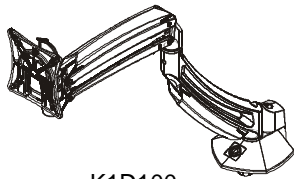
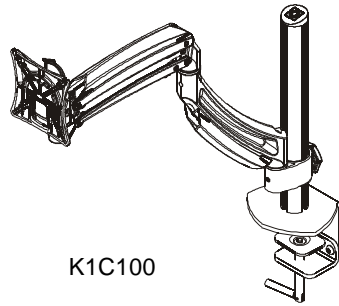
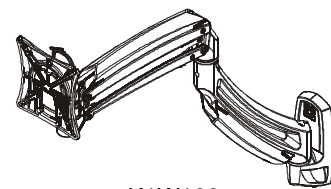

INSTALLATION INSTRUCTIONS



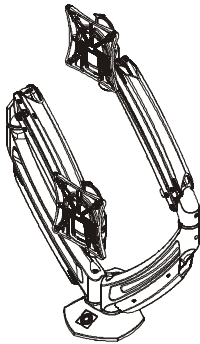
K1D100



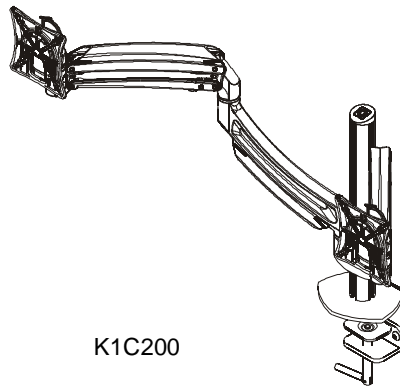
K1C100



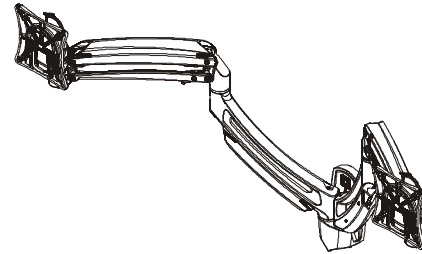
K1W100



K1D200



K1C200



K1W200

Height-adjustable Monitor Arm Series

DISCLAIMER

Milestone AV Technologies and its affiliated corporations and subsidiaries (collectively "Milestone"), intend to make this manual accurate and complete. However, Milestone makes no claim that the information contained herein covers all details, conditions or variations, nor does it provide for every possible contingency in connection with the installation or use of this product. The information contained in this document is subject to change without notice or obligation of any kind. Milestone makes no representation of warranty, expressed or implied, regarding the information contained herein. Milestone assumes no responsibility for accuracy, completeness or sufficiency of the information contained in this document.

Chief® is a registered trademark of Milestone AV Technologies. All rights reserved.

! IMPORTANT WARNINGS AND CAUTIONS!

! WARNING: A WARNING alerts you to the possibility of serious injury or death if you do not follow the instructions.

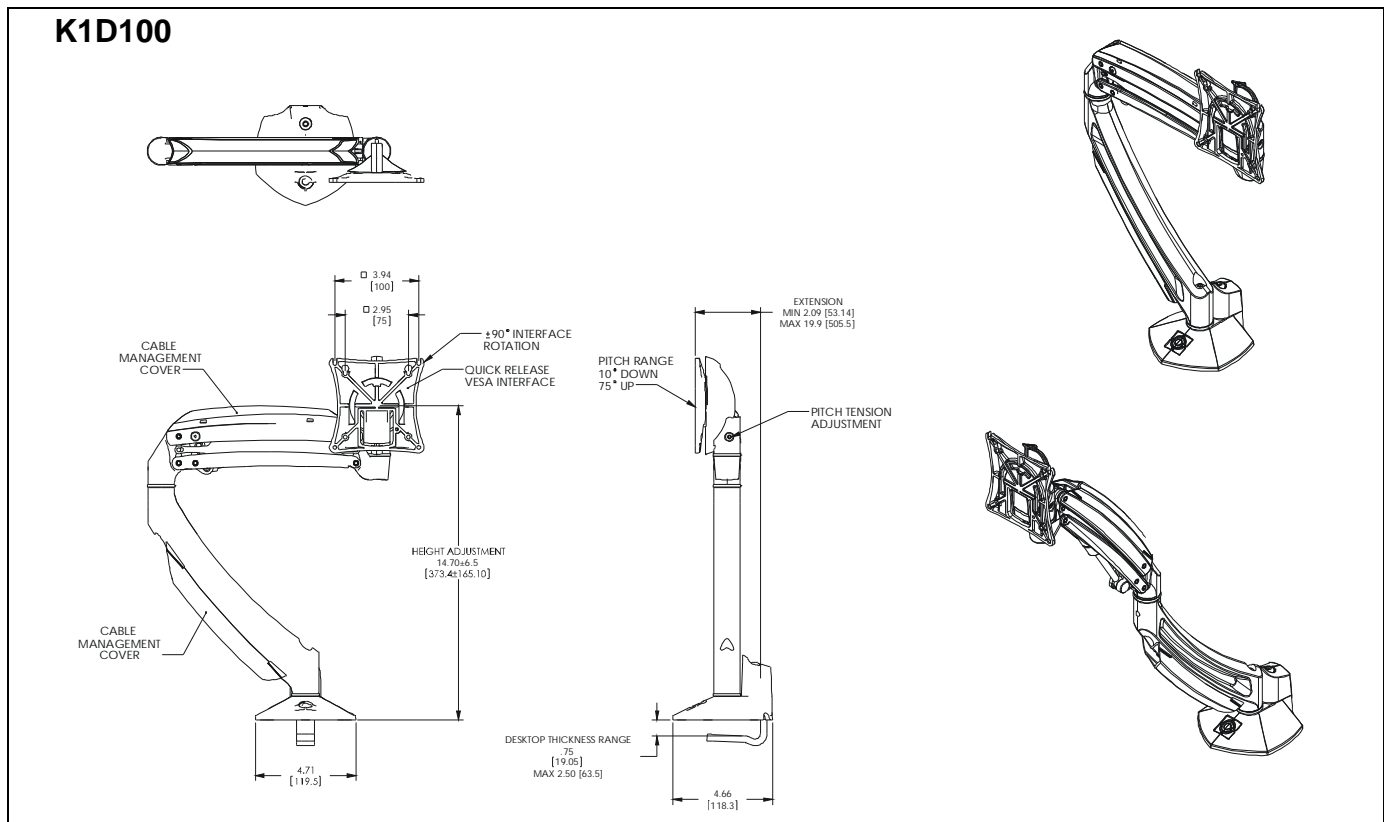
! CAUTION: A CAUTION alerts you to the possibility of damage or destruction of equipment if you do not follow the corresponding instructions.

! WARNING: Failure to read, thoroughly understand, and follow all instructions can result in serious personal injury, damage to equipment, or voiding of factory warranty! It is the installer's responsibility to make sure all components are properly assembled and installed using the instructions provided.

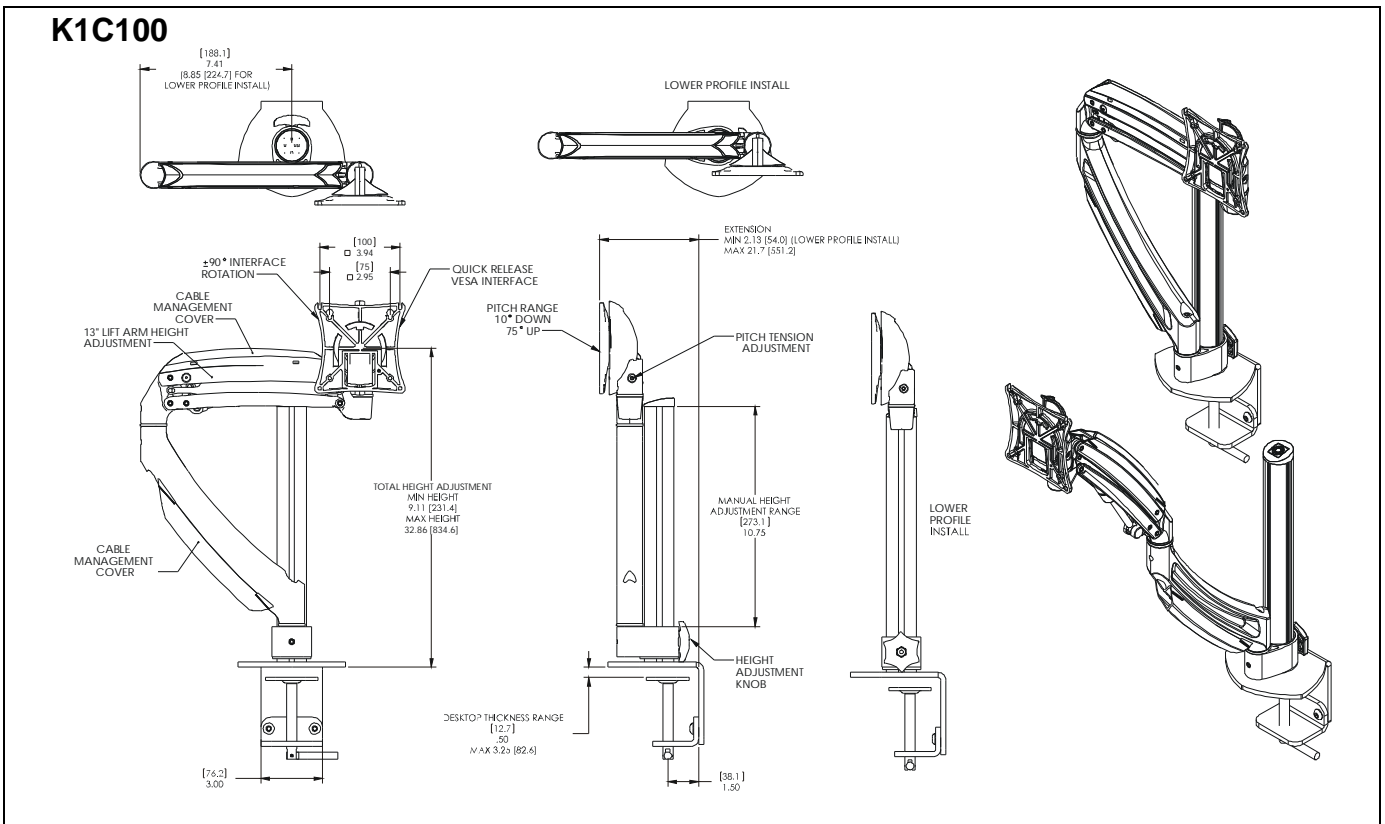
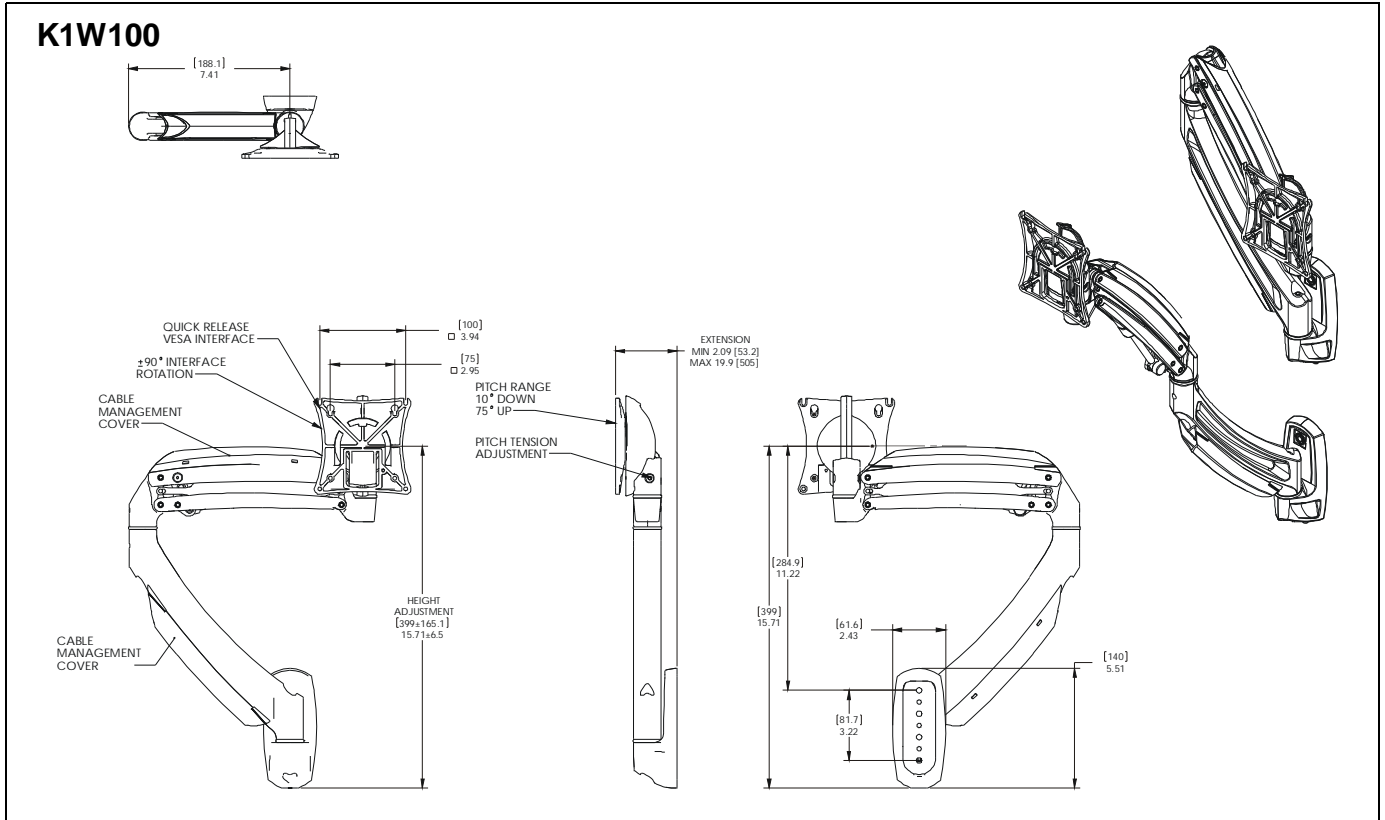
! WARNING: Failure to provide adequate structural strength for this component can result in serious personal injury or damage to equipment! It is the installer's responsibility to make sure the structure to which this component is attached can support five times the combined weight of all equipment. Reinforce the structure as required before installing the component. The wall to which the mount is being attached may have a maximum drywall thickness of 5/8" (1.6cm).

! WARNING: Exceeding the weight capacity can result in serious personal injury or damage to equipment! It is the installer's responsibility to make sure the combined weight of all components located between the K1 Series Monitor Arm up to (and including) the display does not exceed 25 lbs (11.34 kg) per arm. Use with products heavier than the maximum weight indicated may result in collapse of the mount and its accessories causing possible injury.

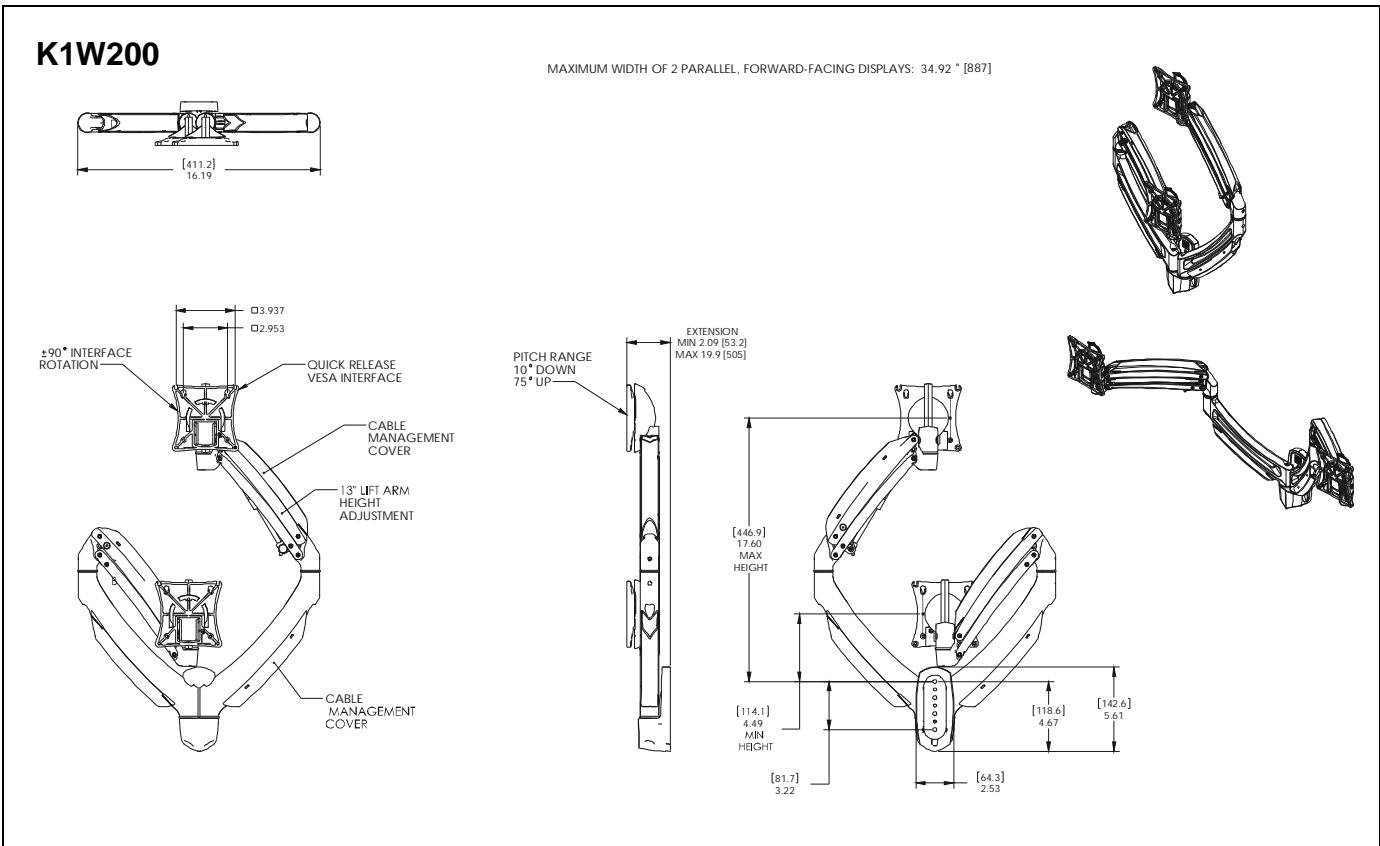
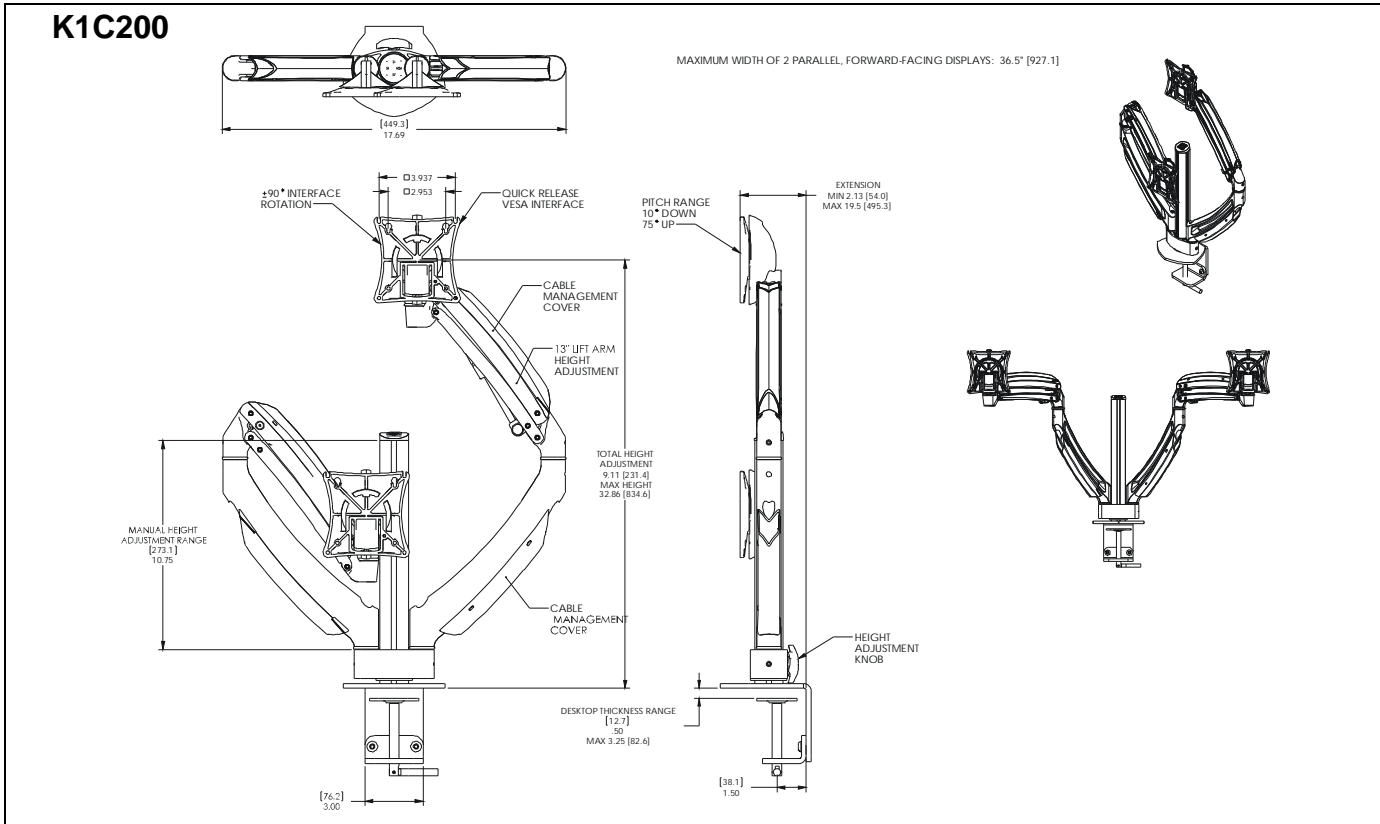
DIMENSIONS



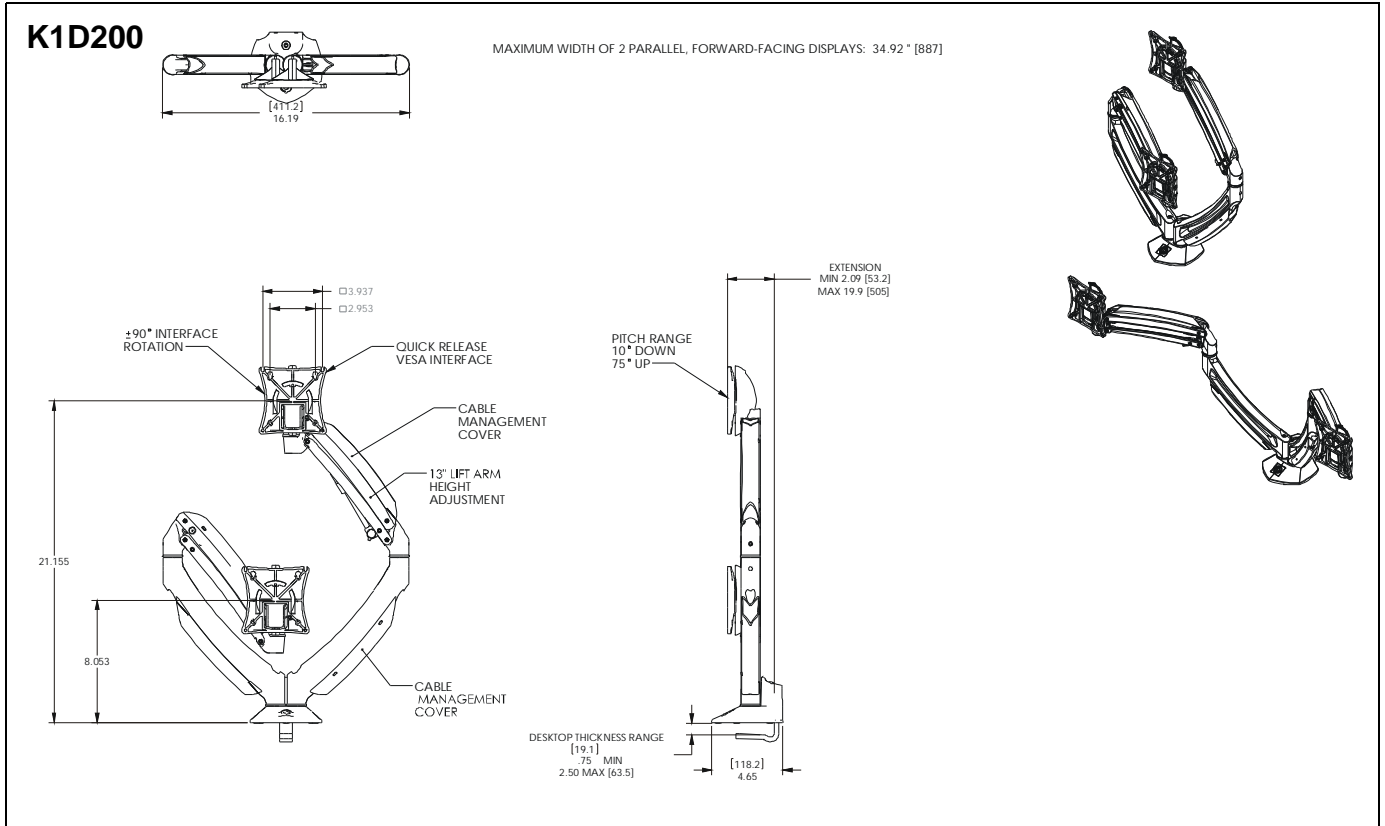
DIMENSIONS (continued)



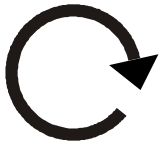

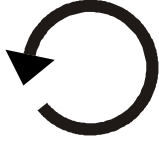









DIMENSIONS (CONTINUED)



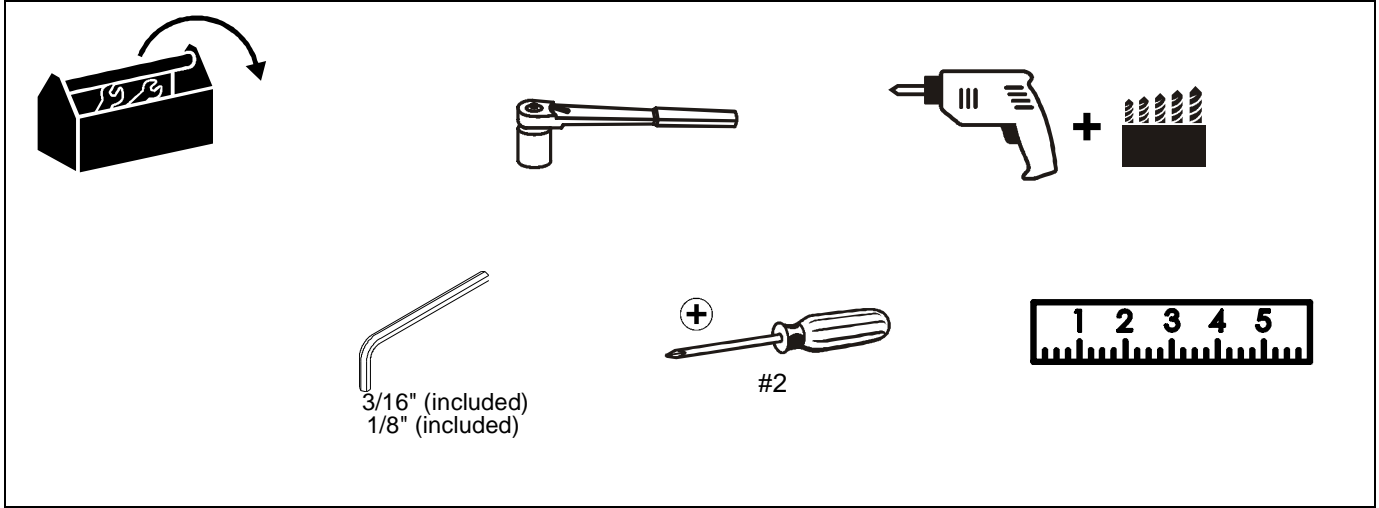
DIMENSIONS (CONTINUED)



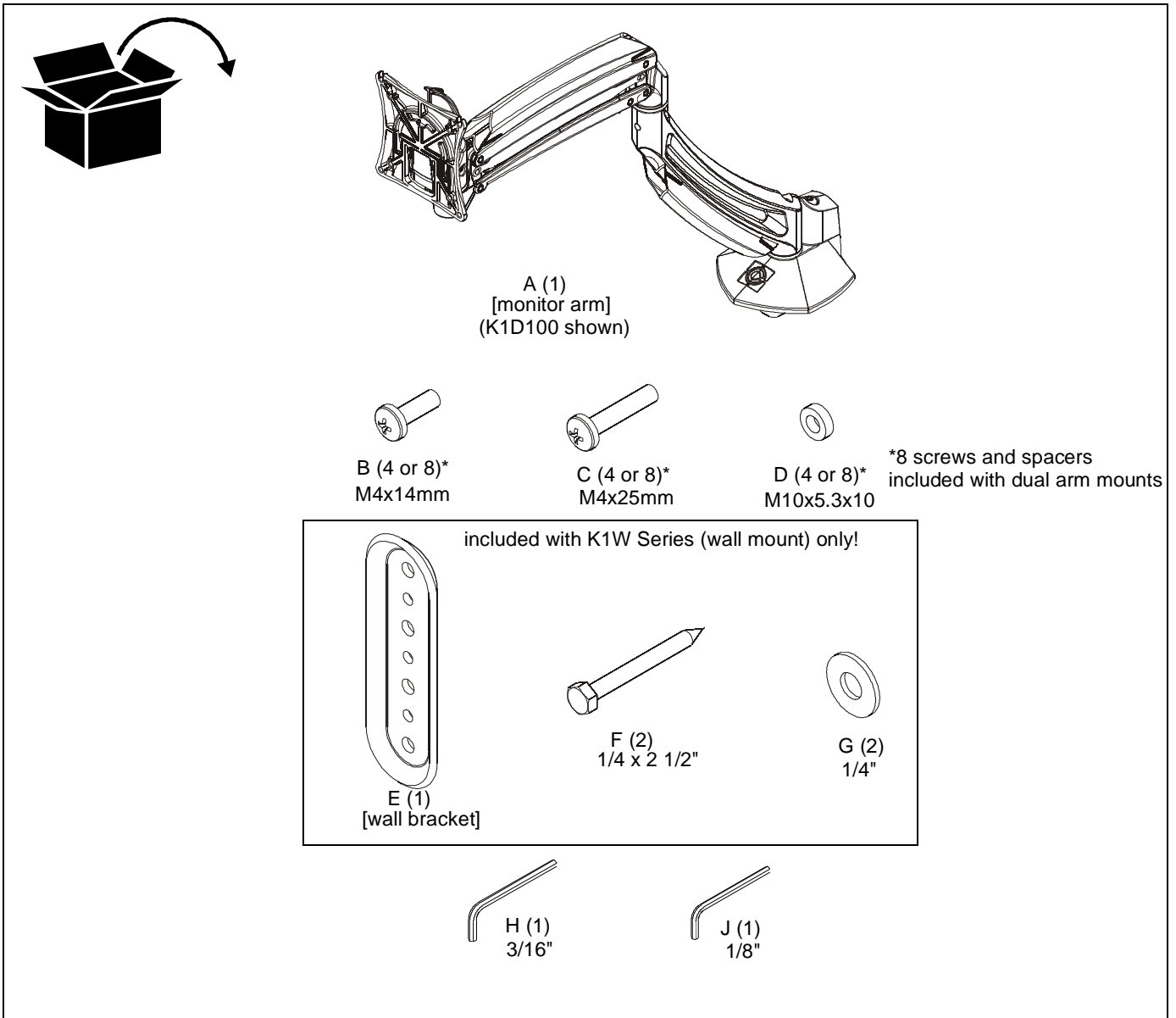
LEGEND

	Tighten Fastener Apretar elemento de fijación Befestigungsteil festziehen Apertar fixador Serrare il fissaggio Bevestiging vastdraaien Serrez les fixations		Pencil Mark Marcar con lápiz Stiftmarkierung Marcar com lápis Segno a matita Potloodmerkten Marquage au crayon
	Loosen Fastener Aflojar elemento de fijación Befestigungsteil lösen Desapertar fixador Allentare il fissaggio Bevestiging losdraaien Desserrez les fixations		Drill Hole Perforar Bohrloch Fazer furo Praticare un foro Gat boren Percez un trou
	Phillips Screwdriver Destornillador Phillips Kreuzschlitzschraubendreher Chave de fendas Phillips Cacciavite a stella Kruiskopschroevendraaier Tournevis à pointe cruciforme		Adjust Ajustar Einstellen Ajustar Regolare Afstellen Ajuster
	Open-Ended Wrench Llave de boca Gabelschlüssel Chave de bocas Chiave a punte aperte Steeksleutel Clé à fourche		Remove Quitar Entfernen Remover Rimuovere Verwijderen Retirez
	By Hand A mano Von Hand Com a mão A mano Met de hand À la main		Optional Opcional Optional Opcional Opzionale Optie En option
	Hex-Head Wrench Llave de cabeza hexagonal Sechskantschlüssel Chave de cabeça sextavada Chiave esagonale Zeskantsleutel Clé à tête hexagonale		Security Wrench Llave de seguridad Sicherheitschlüssel Chave de segurança Chiave di sicurezza Veiligheidsleutel Clé de sécurité

TOOLS REQUIRED FOR INSTALLATION



PARTS



Assembly And Installation

Connecting K1C Series (column mount) to Desk Standard Installation

1. Loosen clamp screw until enough space is created between clamp and mount to allow for desk mounting. (See Figure 1)

NOTE: If space is limited behind desk (i.e. against wall, etc.), remove clamp screw and attachment entirely and reattach clamp screw prior to Step 3! (See Figure 2)

2. Place mount on top of desk at desired mounting location. (See Figure 1)
3. Tighten clamp using clamp screw until mount is securely fastened to desk. (See Figure 1)

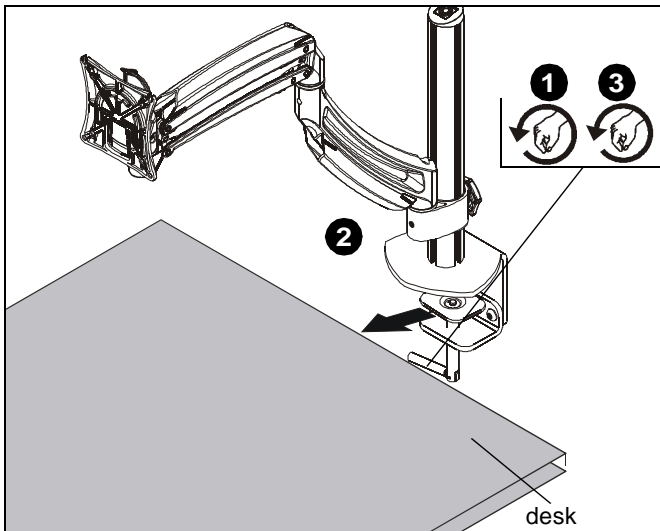


Figure 1

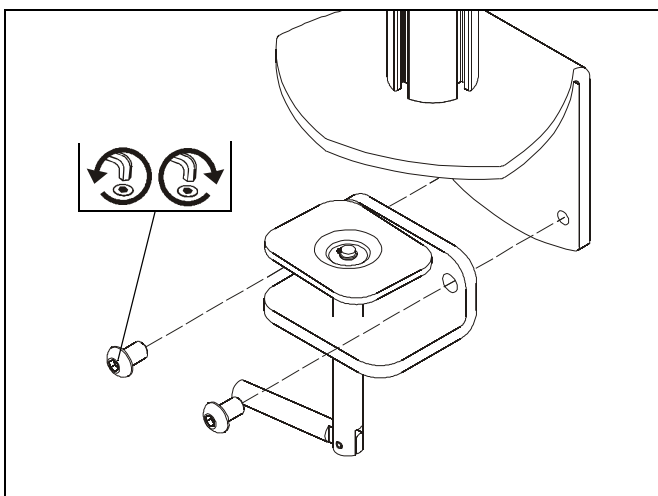


Figure 2

Low Profile Installation (KC1 Series Only)

1. Remove top cap from column. (See Figure 3)
2. Slide mount assembly off of column. (See Figure 3)

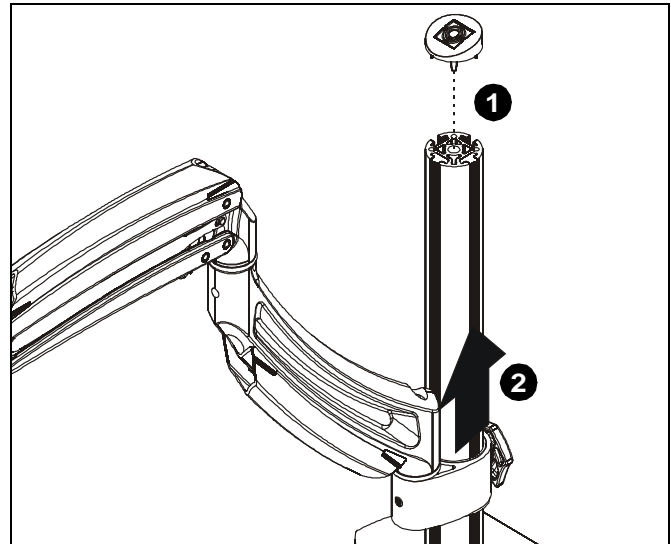


Figure 3

3. Rotate mount in 90 degrees in either direction prior to reinstalling onto column. (See Figure 4)
4. Reinstall onto column and adjust to desired height. (See Figure 4)
5. Reinstall top cap to column. (See Figure 4)

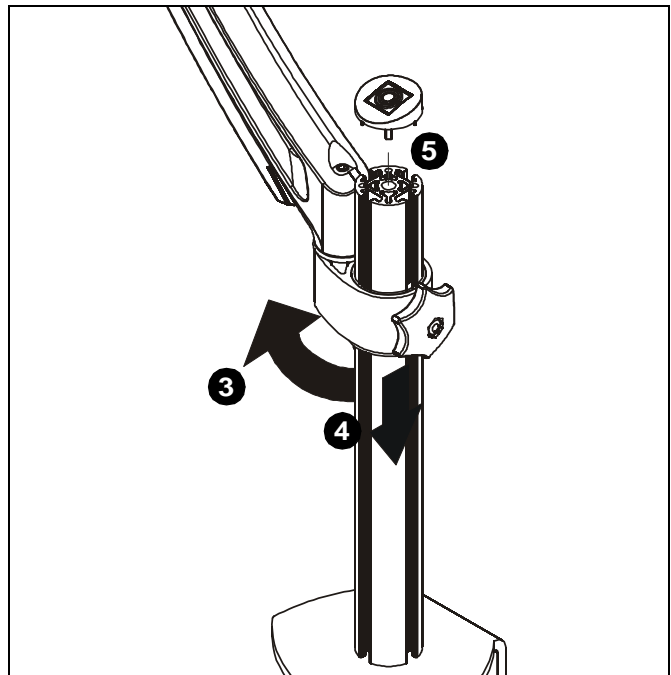


Figure 4

6. Proceed with standard installation to desk as shown in "Standard Installation" section.

Connecting K1D Series (desk mount) to Desk

1. Loosen clamp screw until enough space is created between clamp and mount to allow for desk mounting. (See Figure 5)

NOTE: If space is limited behind desk (i.e. against wall, etc.), remove clamp entirely in Step 1 and reattach clamp prior to Step 3!

2. Place mount on top of desk at desired mounting location. (See Figure 5)
3. Tighten clamp using clamp screw until mount is securely fastened to desk. (See Figure 5)

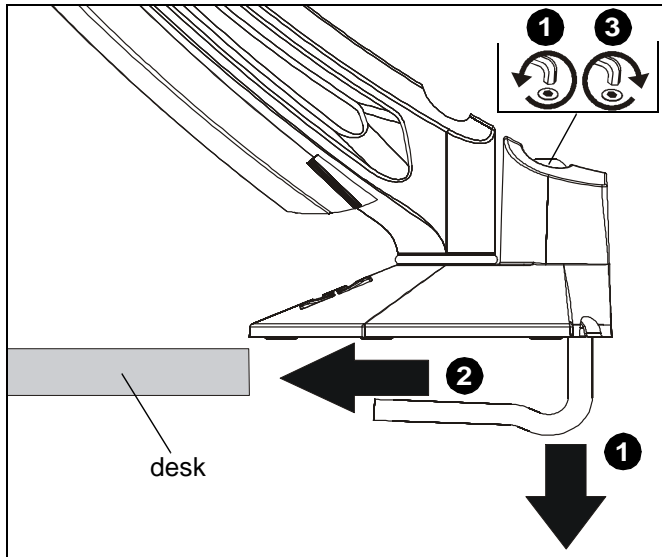


Figure 5

Connecting K1W Series (wall mount) to Wall

1. Determine mounting location on wall.
2. Use a stud finder to locate stud.
3. Use wall bracket to mark and drill two 3/16 x 2 1/2" holes in wall at desired mounting location. (See Figure 6)
4. Use two 1/4-2 1/2" hex head lag screws (F) and two 1/4" washers (G) to install wall bracket onto wall. (See Figure 6)

IMPORTANT ! : Overtightening screws (F) may cause bracket to compress into soft wall surface resulting in difficult mount installation or improper engaging of set screw in Step 6.

5. Hang monitor arm (A) over wall bracket. (See Figure 6)
6. Secure monitor arm to wall bracket by tightening set screw. Ensure set screw engages back side of wall bracket (E) to properly secure mount. (See Figure 6)

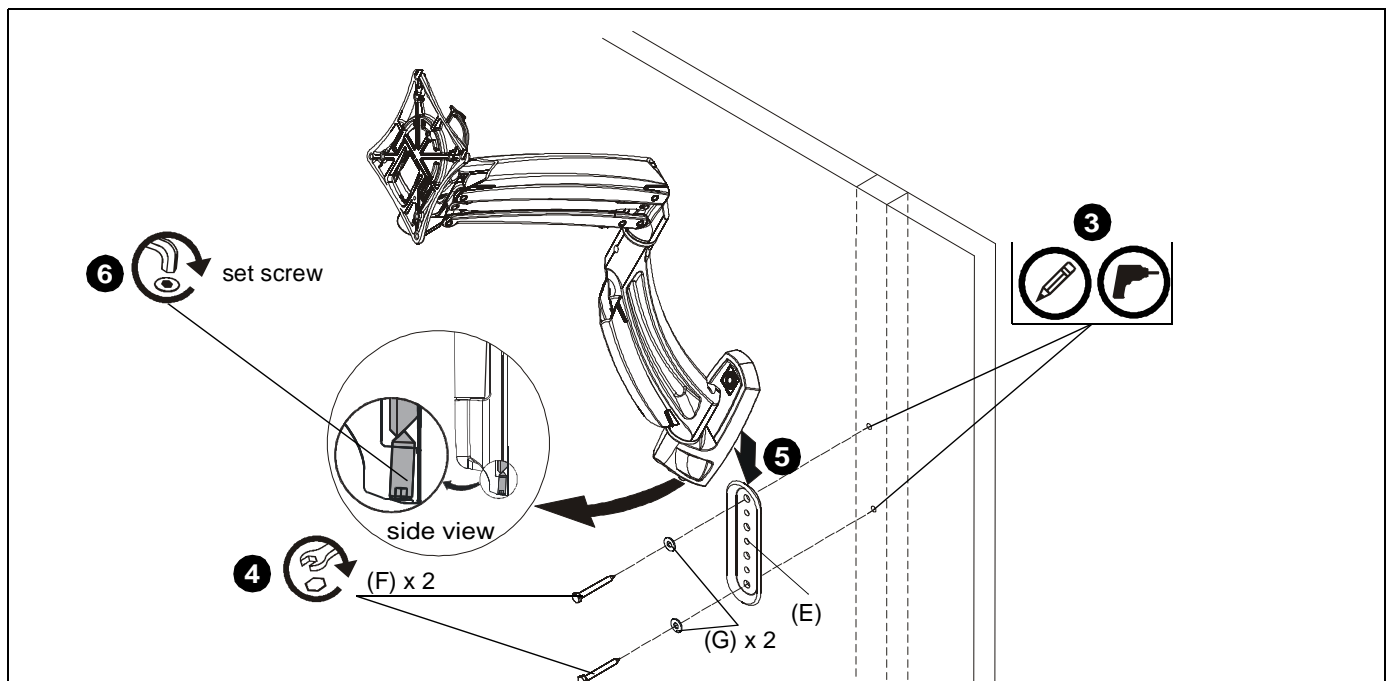


Figure 6

Display Installation

1. Remove quick release faceplate from mount by pressing quick release tab and sliding faceplate off mount. (See Figure 7)

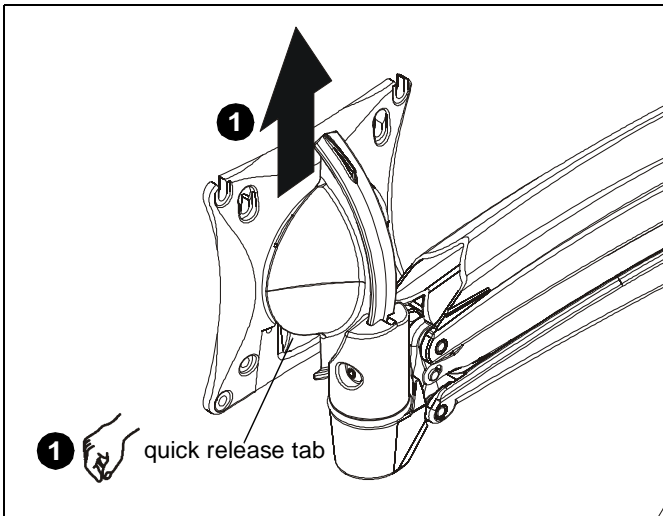


Figure 7

⚠ WARNING: Only remove display from mount when the display can be lifted up from the mount! DO NOT remove display unless the display is in the upright position! See Display Removal section for details.

2. Carefully place display face down on protective surface.
3. Connect faceplate to display

For flush mounting hole installation:

- Using Phillips screwdriver, carefully install four M4x14mm screws (B) through corresponding holes on faceplate and into the mounting holes on the display. (See Figure 8)

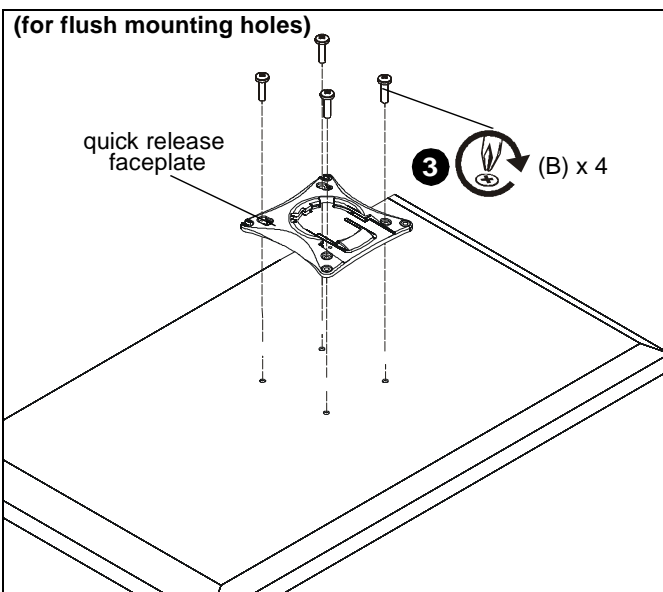


Figure 8

For recessed mounting hole installation:

- Place four spacers (D) on top of mounting holes on back of display. (See Figure 9)
- Using Phillips screwdriver, carefully install four M4x25mm screws (C) through corresponding holes on faceplate, spacers (D) and into the mounting holes on the display. (See Figure 9)

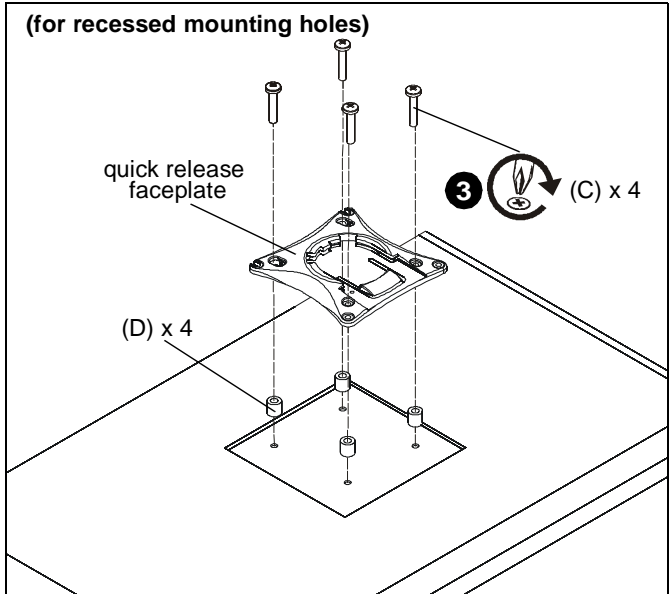


Figure 9

4. Position display with faceplate attached above mount. (See Figure 10)
5. Slide faceplate onto mounting head until quick release tab clicks into place. (See Figure 10)

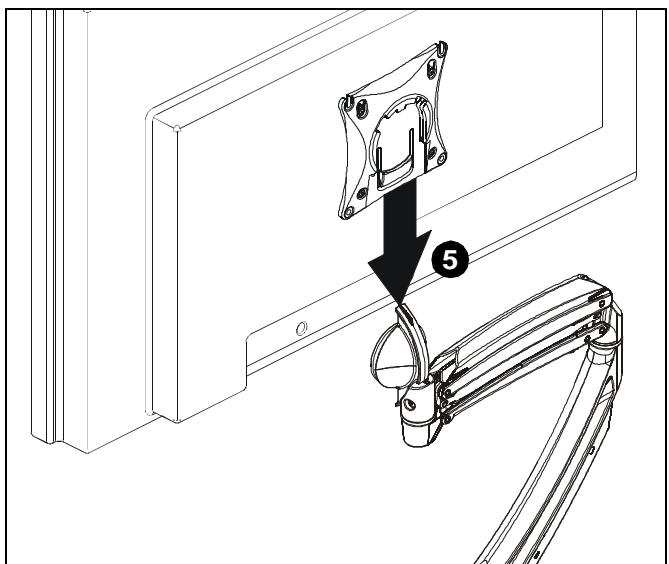


Figure 10

Adjustments

Head Tilt Adjustment

1. Adjust head tilt to desired tilt position. (See Figure 11)
2. Adjust head tilt tension screw to change the adjustment tension. (See Figure 11)

Height Adjustment

1. Adjust height to desired level. (See Figure 11)
2. Use 1/8" hex key (J) to adjust height-adjustable tension screw to change adjustment tension. (See Figure 11)

NOTE: Turn clockwise to reduce tension for lighter displays and counter-clockwise to increase tension for heavier displays.

Pivot Adjustment

1. Adjust pivot position as desired. (See Figure 11)
2. Use 3/16" hex key (H) to adjust pivot point tension screws to change pivot adjustment tension. (See Figure 11)

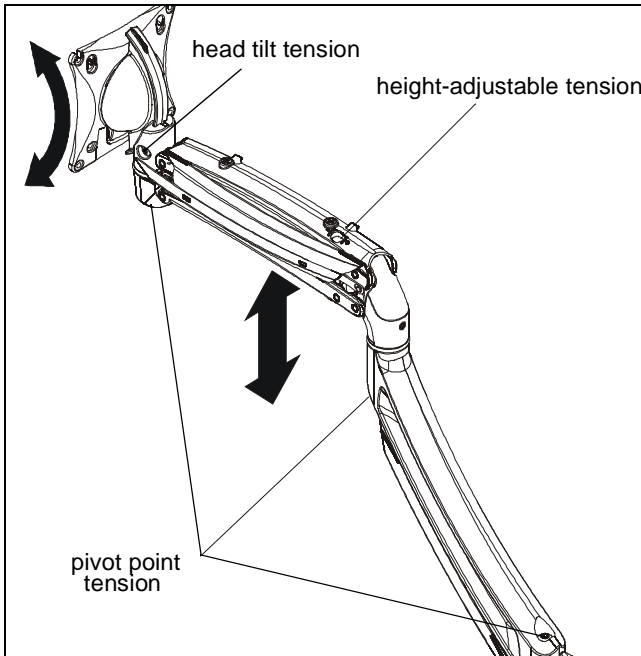


Figure 11

Pivot Adjustment Range

Single Arm Models (K1D100, K1C100 and K1W100)

1. Adjust arm angle as desired up to 90 degrees in either direction. (See Figure 12)



WARNING: Swinging the arm beyond 90 degrees may result in the mount slipping off the desk causing serious injury!

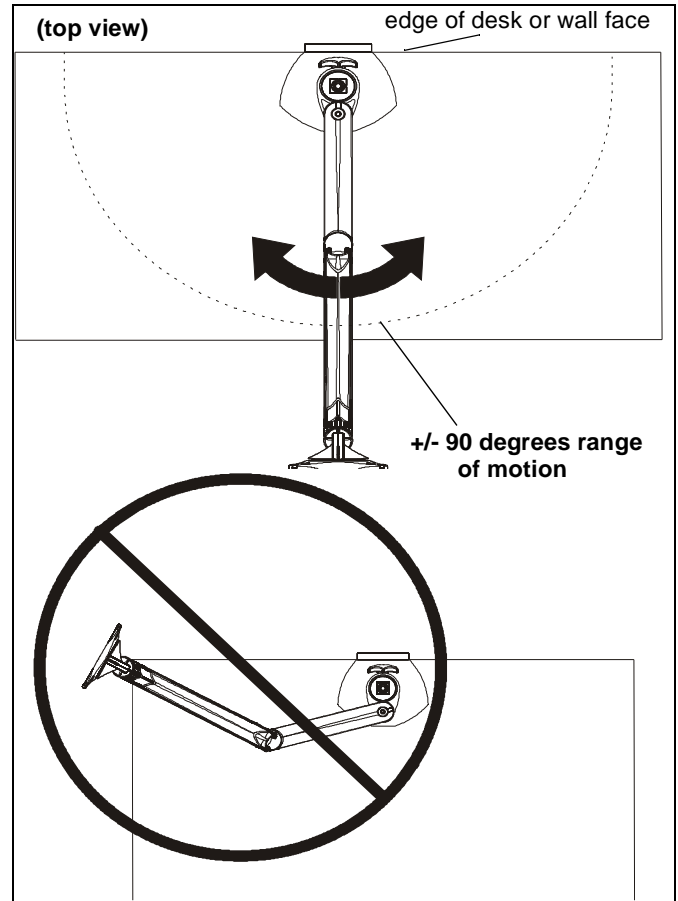


Figure 12

Dual Arm Models (K1C200)

1. Adjust arm angles as desired within a 90 degree range from the edge of desk or wall and a perpendicular centerline of mount. (See Figure 13)



WARNING: Swinging the arm beyond this range may result in the mount slipping of the desk causing serious injury!

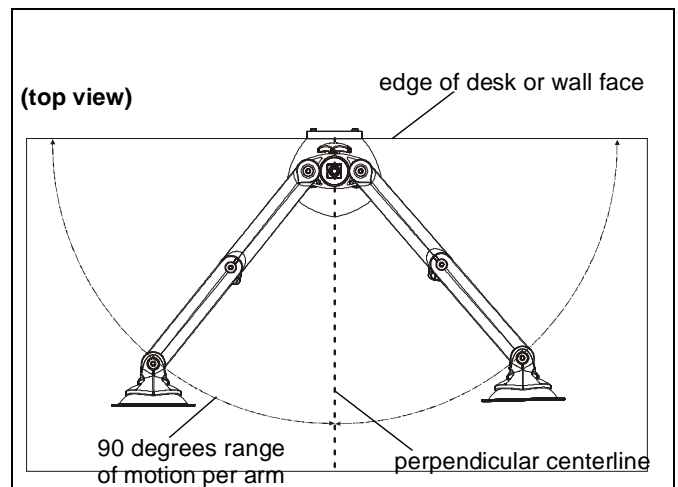


Figure 13

Column Height Adjustment (K1C Series only)

1. Loosen column adjustment knob. (See Figure 14)
2. Adjust height to desired level. (See Figure 14)
3. Tighten column adjustment knob. (See Figure 14)

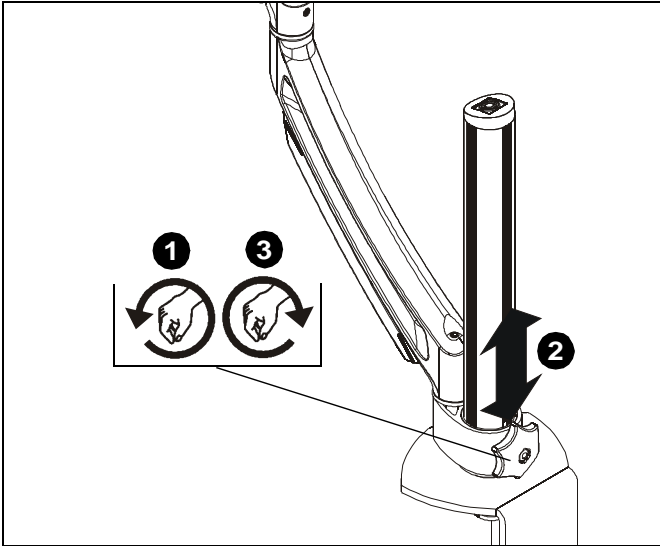


Figure 14

Cable Management

1. Use screwdriver to unhinge tab on either end of cable management cover on upper arm. (See Figure 16)
2. Slide screwdriver along edge of cover until remaining tabs are unhinged and cover is in the "open" position. (See Figure 16)

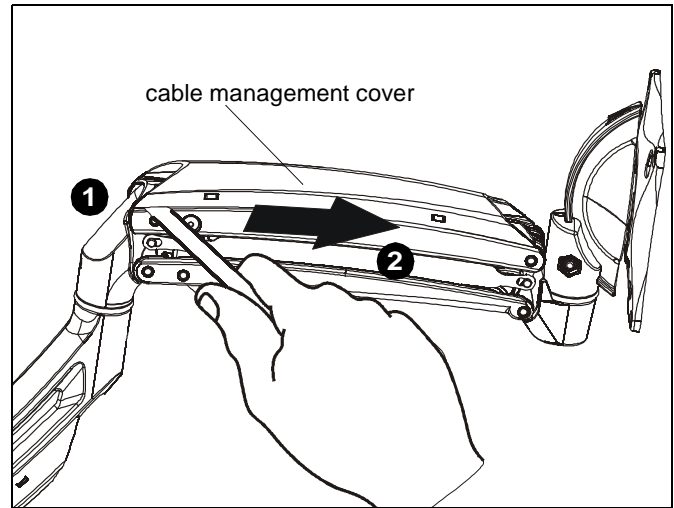


Figure 16

Portrait Adjustment

1. The monitor may be adjusted 90 degrees in either direction in order to provide a portrait view of the monitor. (See Figure 15)

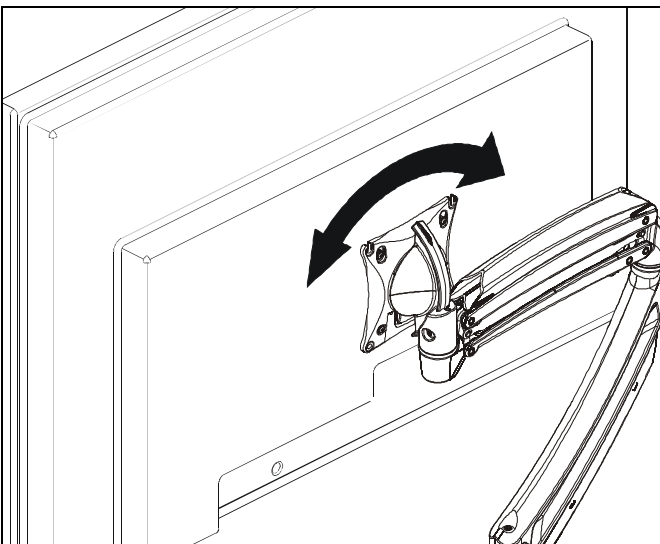


Figure 15



WARNING: Only remove display from mount when the display can be lifted up from the mount! DO NOT remove display unless the display is in the upright position! See Display Removal section for details.

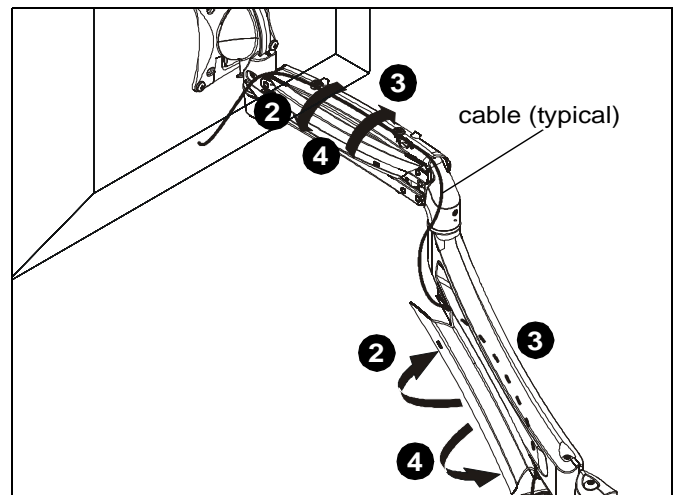


Figure 17

3. Route cables through cable management channels. (See Figure 17)

IMPORTANT ! : Be sure to leave enough slack in the cables near display and arm joint to allow for full arm articulation!

4. Close cable management covers on monitor arm. (See Figure 17)
5. Repeat Steps 1-4 for lower arm.

Display Removal



WARNING: Only remove display from mount when the display can be lifted up from the mount! DO NOT remove display unless the display is in the upright position! (See Figure 18)

1. Make sure display is in the upright position.
2. Remove quick release faceplate from mount by pressing quick release tab and sliding faceplate off mount. (See Figure 18)

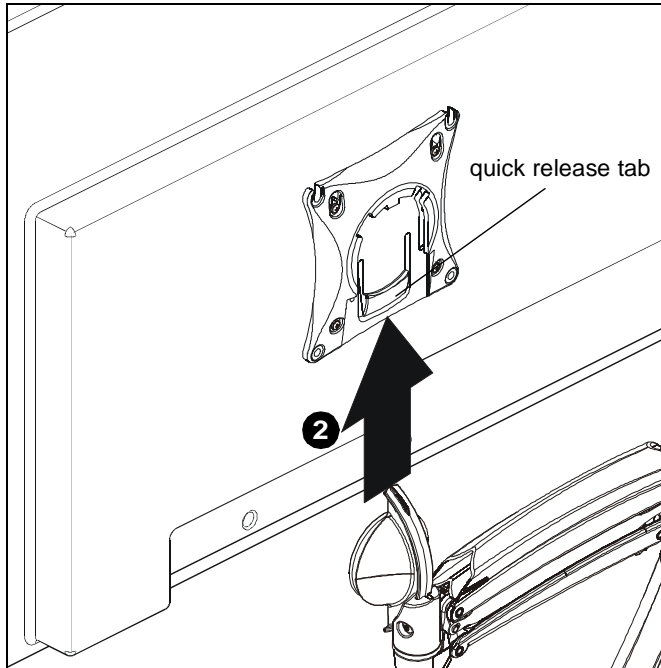


Figure 18



Our Mounts. **Your Vision.**

Chief Manufacturing, a products division
of Milestone AV Technologies

8800-002059 Rev 01
©2011 Milestone AV Technologies, a
Duchossois Group Company
www.chiefmfg.com
02/11

USA/International	A 8401 Eagle Creek Parkway, Savage, MN 55378 P 800.582.6480 / 952.894.6280 F 877.894.6918 / 952.894.6918
Europe	A Fellenoord 130 5611 ZB EINDHOVEN, The Netherlands P +31 (0)40 2668620 F +31 (0)40 2668615
Asia Pacific	A Office No. 1 on 12/F, Shatin Galleria 18-24 Shan Mei Street Fotan, Shatin, Hong Kong P 852 2145 4099 F 852 2145 4477

