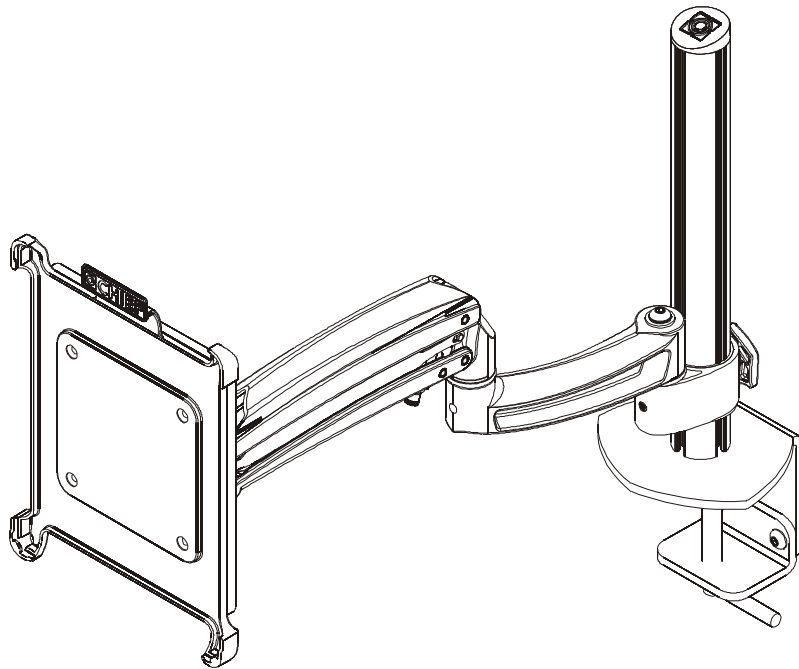


---

# INSTALLATION INSTRUCTIONS

---



---

## K1 Single Column with iPad®2/iPad®3 Mount

---

**DISCLAIMER**

Milestone AV Technologies and its affiliated corporations and subsidiaries (collectively "Milestone"), intend to make this manual accurate and complete. However, Milestone makes no claim that the information contained herein covers all details, conditions or variations, nor does it provide for every possible contingency in connection with the installation or use of this product. The information contained in this document is subject to change without notice or obligation of any kind. Milestone makes no representation of warranty, expressed or implied, regarding the information contained herein. Milestone assumes no responsibility for accuracy, completeness or sufficiency of the information contained in this document.

Chief® is a registered trademark of Milestone AV Technologies. All rights reserved.

**! IMPORTANT SAFETY INSTRUCTIONS**

**! WARNING:** A WARNING alerts you to the possibility of serious injury or death if you do not follow the instructions.

**! CAUTION:** A CAUTION alerts you to the possibility of damage or destruction of equipment if you do not follow the corresponding instructions.

**! WARNING:** Failure to read, thoroughly understand, and follow all instructions can result in serious personal injury, damage to equipment, or voiding of factory warranty! It is the installer's responsibility to make sure all components are properly assembled and installed using the instructions provided.

**! WARNING:** Exceeding the weight capacity can result in serious personal injury or damage to equipment! It is the installer's responsibility to make sure the combined weight of all components located between the K1C1I2B up to (and including) the display does not exceed 25 lbs (11.34 kg).

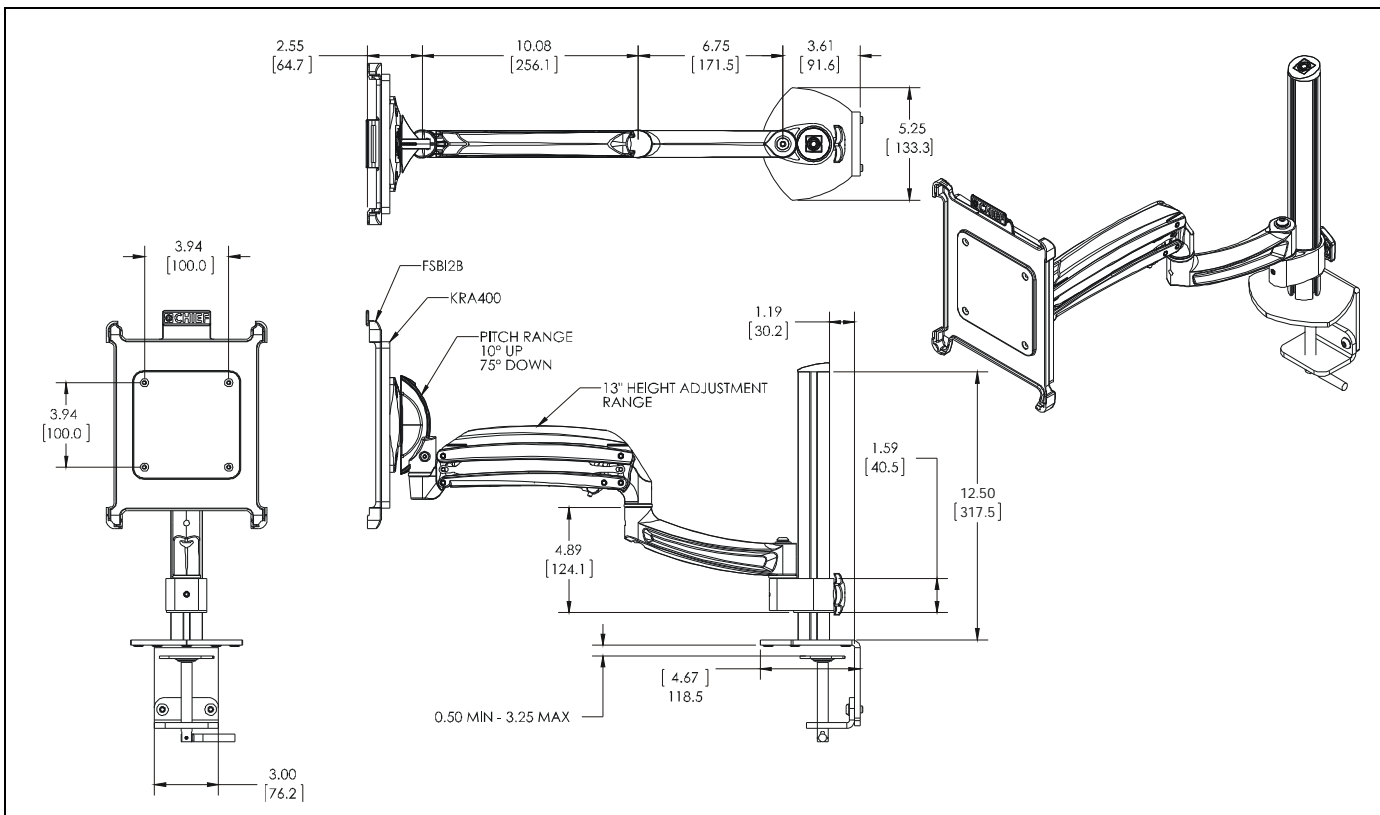
**! WARNING:** Use this mounting system only for its intended use as described in these instructions. Do not use attachments not recommended by the manufacturer.

**! WARNING:** Never operate this mounting system if it is damaged. Return the mounting system to a service center for examination and repair.

**! WARNING:** Do not use this product outdoors.

**--SAVE THESE INSTRUCTIONS--**

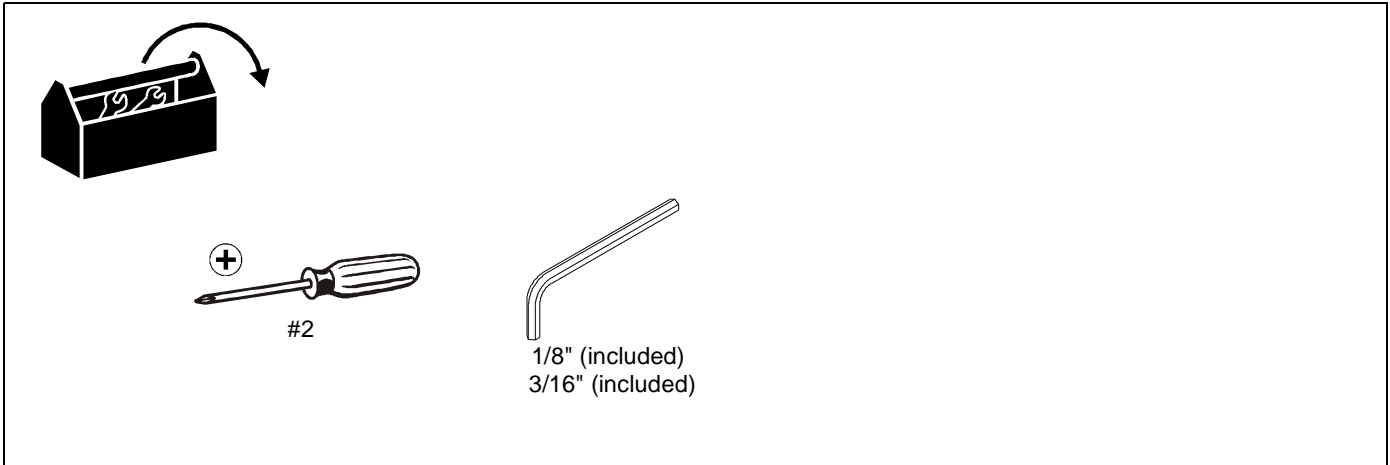
**DIMENSIONS**



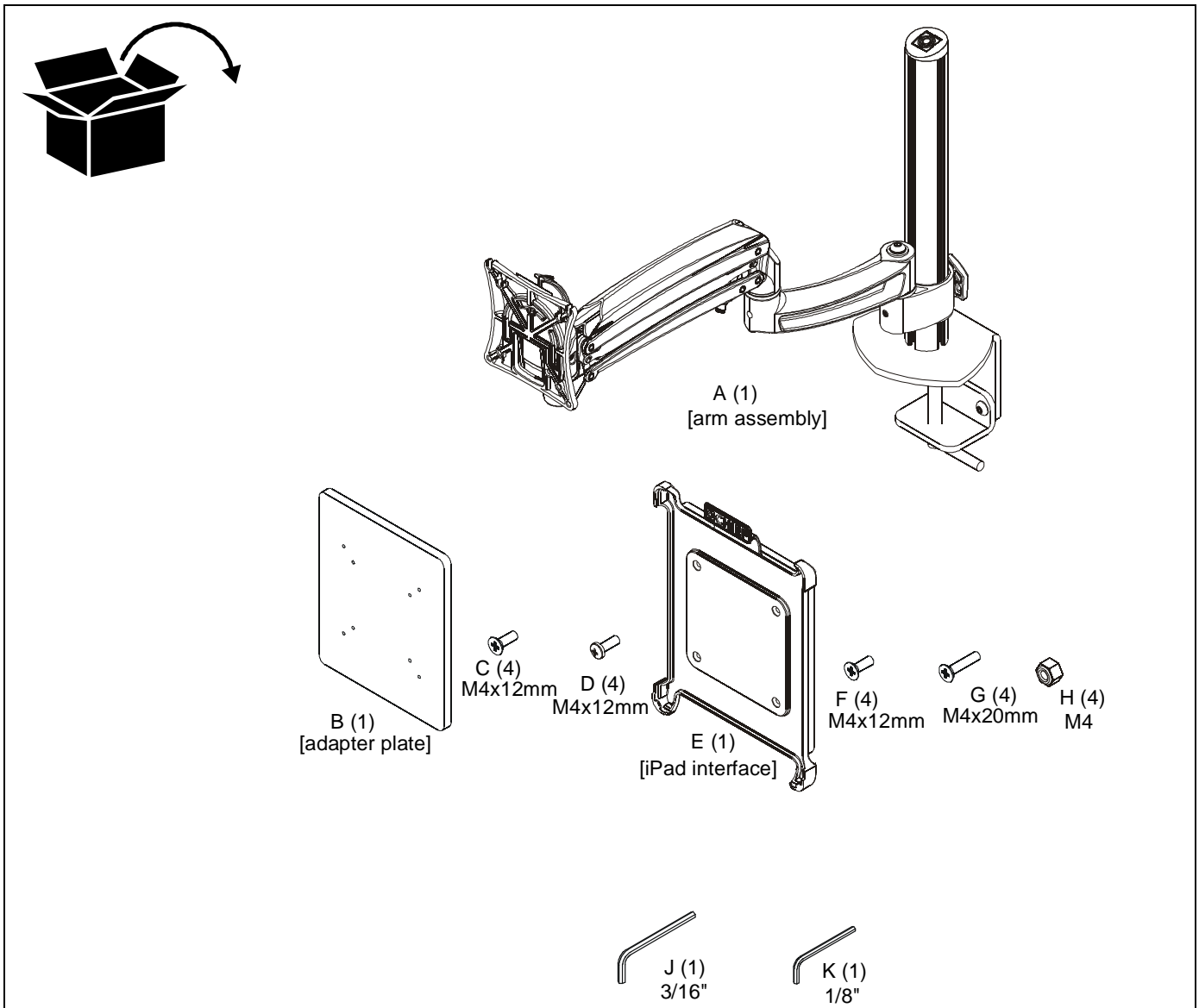
**LEGEND**

	<p><b>Tighten Fastener</b></p> <p>Apretar elemento de fijación</p> <p>Befestigungsteil festziehen</p> <p>Apertar fixador</p> <p>Serrare il fissaggio</p> <p>Bevestiging vastdraaien</p> <p>Serrez les fixations</p>		<p><b>Pencil Mark</b></p> <p>Marcar con lápiz</p> <p>Stiftmarkierung</p> <p>Marcar com lápis</p> <p>Segno a matita</p> <p>Potloodmerkten</p> <p>Marquage au crayon</p>
	<p><b>Loosen Fastener</b></p> <p>Aflojar elemento de fijación</p> <p>Befestigungsteil lösen</p> <p>Desapertar fixador</p> <p>Allentare il fissaggio</p> <p>Bevestiging losdraaien</p> <p>Desserrez les fixations</p>		<p><b>Drill Hole</b></p> <p>Perforar</p> <p>Bohrloch</p> <p>Fazer furo</p> <p>Praticare un foro</p> <p>Gat boren</p> <p>Percez un trou</p>
	<p><b>Phillips Screwdriver</b></p> <p>Destornillador Phillips</p> <p>Kreuzschlitzschraubendreher</p> <p>Chave de fendas Phillips</p> <p>Cacciavite a stella</p> <p>Kruiskopschroevendraaier</p> <p>Tournevis à pointe cruciforme</p>		<p><b>Adjust</b></p> <p>Ajustar</p> <p>Einstellen</p> <p>Ajustar</p> <p>Regolare</p> <p>Afstellen</p> <p>Ajuster</p>
	<p><b>Open-Ended Wrench</b></p> <p>Llave de boca</p> <p>Gabelschlüssel</p> <p>Chave de bocas</p> <p>Chiave a punte aperte</p> <p>Steeksleutel</p> <p>Clé à fourche</p>		<p><b>Remove</b></p> <p>Quitar</p> <p>Entfernen</p> <p>Remover</p> <p>Rimuovere</p> <p>Verwijderen</p> <p>Retirez</p>
	<p><b>By Hand</b></p> <p>A mano</p> <p>Von Hand</p> <p>Com a mão</p> <p>A mano</p> <p>Met de hand</p> <p>À la main</p>		<p><b>Optional</b></p> <p>Opcional</p> <p>Optional</p> <p>Opcional</p> <p>Opzionale</p> <p>Optie</p> <p>En option</p>
	<p><b>Hex-Head Wrench</b></p> <p>Llave de cabeza hexagonal</p> <p>Sechskantschlüssel</p> <p>Chave de cabeça sextavada</p> <p>Chiave esagonale</p> <p>Zeskantsleutel</p> <p>Clé à tête hexagonale</p>		<p><b>Security Wrench</b></p> <p>Llave de seguridad</p> <p>Sicherheitsschlüssel</p> <p>Chave de segurança</p> <p>Chiave di sicurezza</p> <p>Veiligheidsleutel</p> <p>Clé de sécurité</p>

### TOOLS REQUIRED FOR INSTALLATION



### PARTS



## Assembly And Installation

### Connecting Arm Assembly to Desk

#### Standard Installation

1. Loosen clamp screw until enough space is created between clamp and mount to allow for desk mounting. (See Figure 1)

**NOTE:** If space is limited behind desk (i.e. against wall, etc.), remove clamp screw and attachment entirely and reattach clamp screw prior to Step 3! (See Figure 2)

2. Place mount on top of desk at desired mounting location. (See Figure 1)
3. Tighten clamp using clamp screw until mount is securely fastened to desk. (See Figure 1)

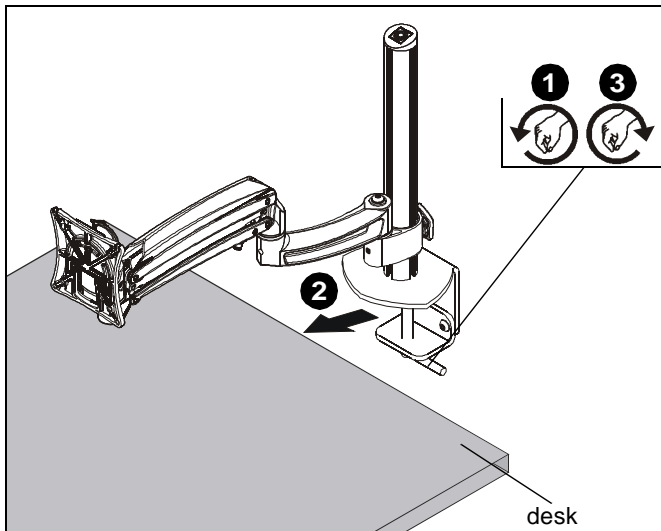


Figure 1

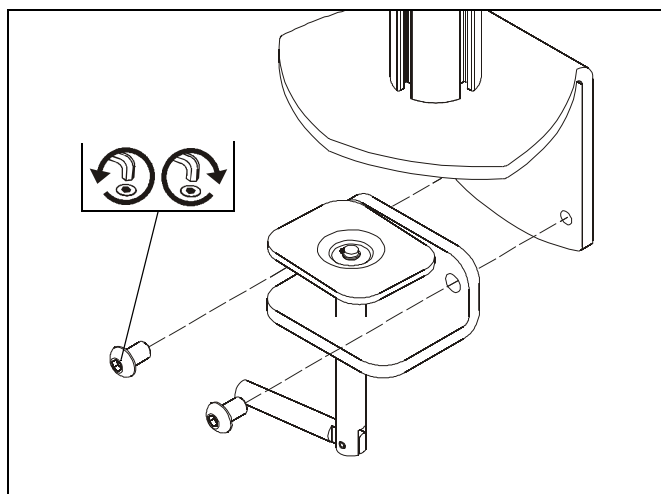


Figure 2

#### Low Profile Installation

1. Remove top cap from column. (See Figure 3)
2. Slide mount assembly off of column. (See Figure 3)

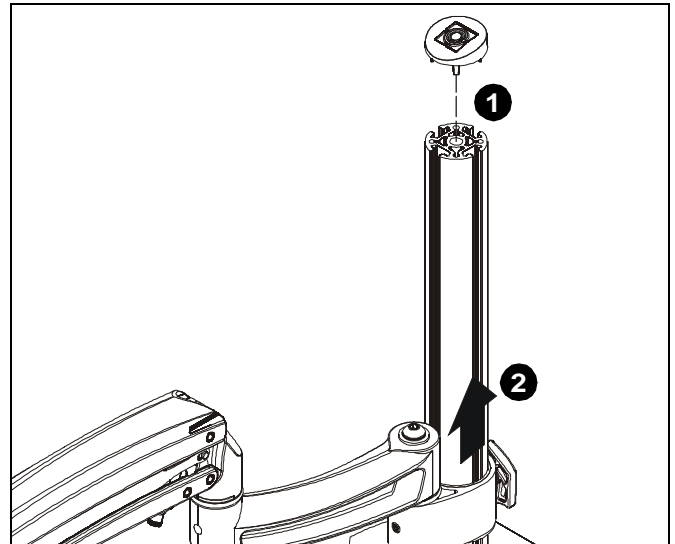


Figure 3

3. Rotate mount 90 degrees in either direction prior to reinstalling onto column. (See Figure 4)
4. Reinstall onto column and adjust to desired height. (See Figure 4)
5. Reinstall top cap to column. (See Figure 4)

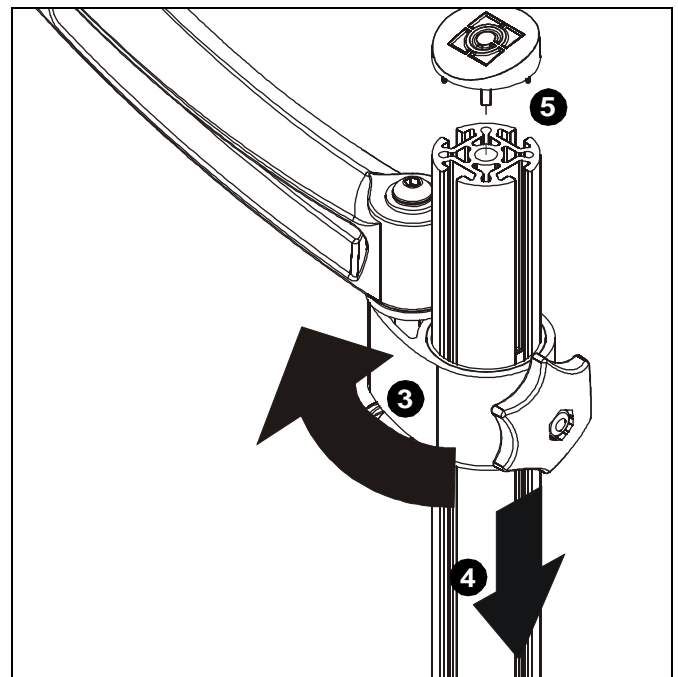
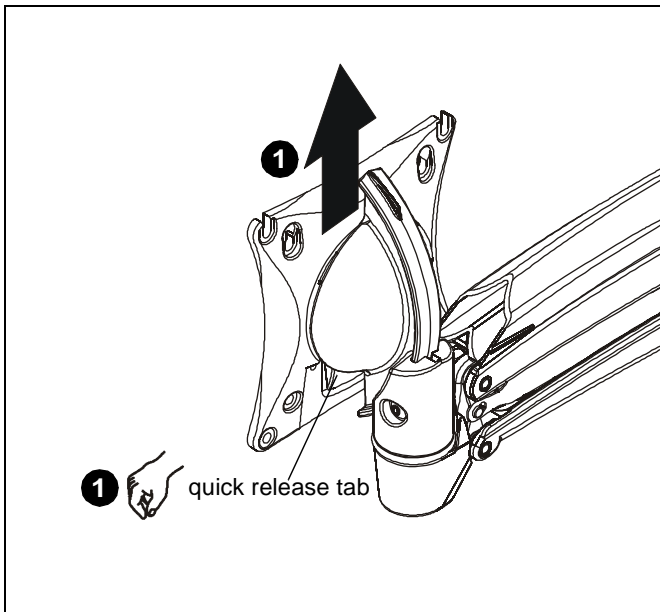


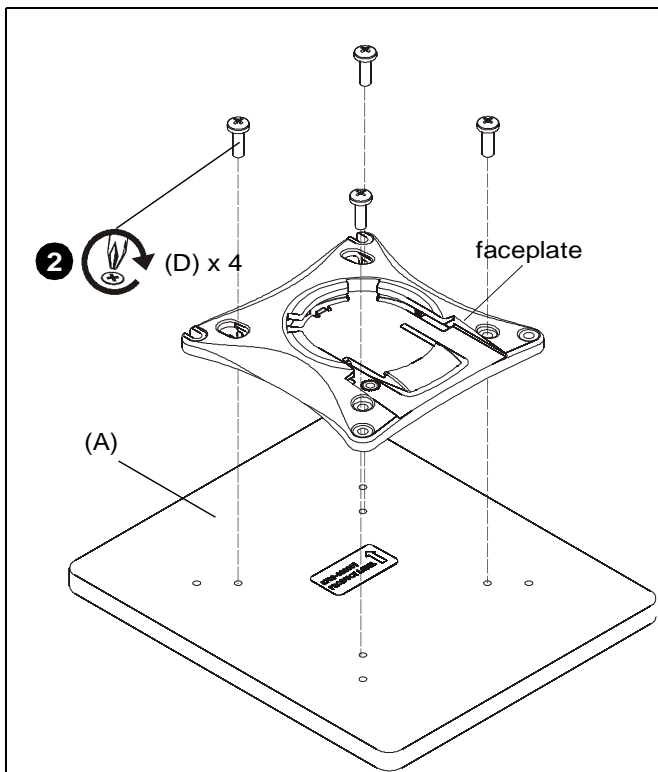
Figure 4

**iPad2®/iPad3® Installation**

1. Remove quick release faceplate from arm assembly (A) by pressing quick release tab and sliding faceplate off mount. (See Figure 5)

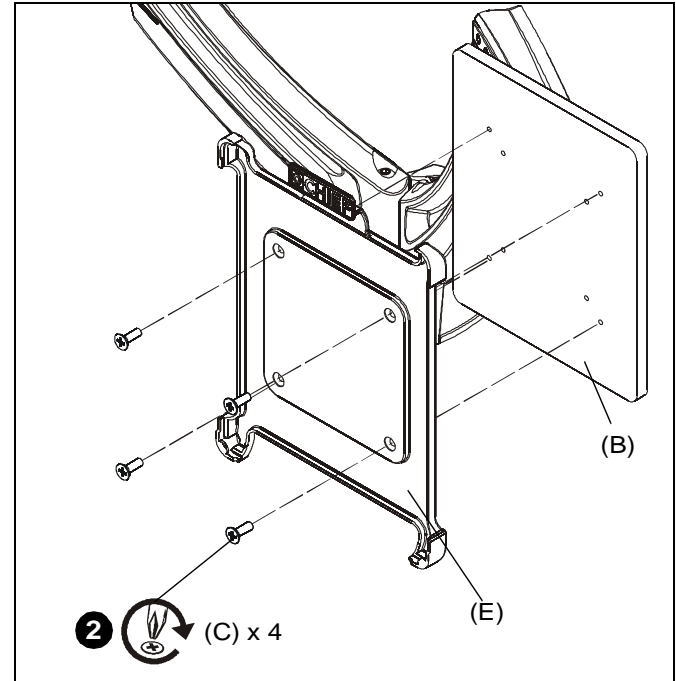
**Figure 5**

2. Use four M4x12mm Phillips pan machine screws (D) to connect faceplate to adapter plate. (See Figure 6)

**Figure 6**

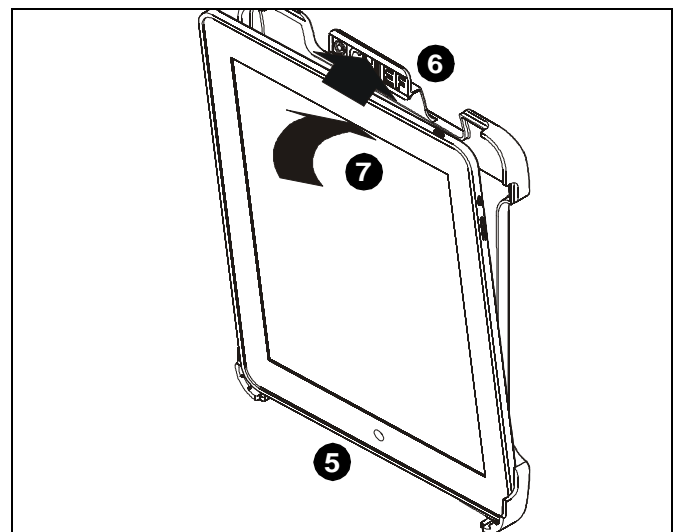
3. Reinstall faceplate to mount.

4. Use four M4x12 Phillips flat head screws (C) to connect iPad® interface (E) to adapter plate (B). (See Figure 7)

**Figure 7**

**IMPORTANT !** : The K1C1I2B is designed specifically for use with the iPad®2 or iPad®3. Other portable tablet devices may not fit properly into the interface.

5. Fit the iPad® into the interface (E), bottom edge first. (See Figure 8)
6. Angle the iPad® back while pressing back on the locking tab of the mount. (See Figure 8)
7. Fit the top edge of the iPad® under the tab. (See Figure 8)

**Figure 8**

- To release the iPad® from the mount, firmly hold the iPad® while pressing back on the tab to release and remove the iPad®. (See Figure 9)

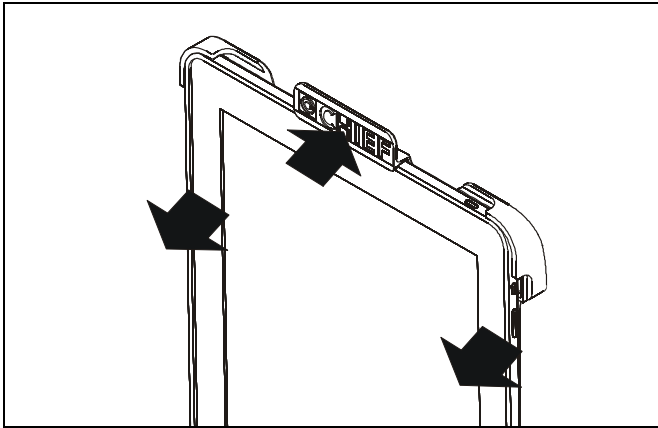


Figure 9

- Position iPad® with faceplate attached above mount. (See Figure 10)
- Slide faceplate onto mounting head until quick release tab clicks into place. (See Figure 10)

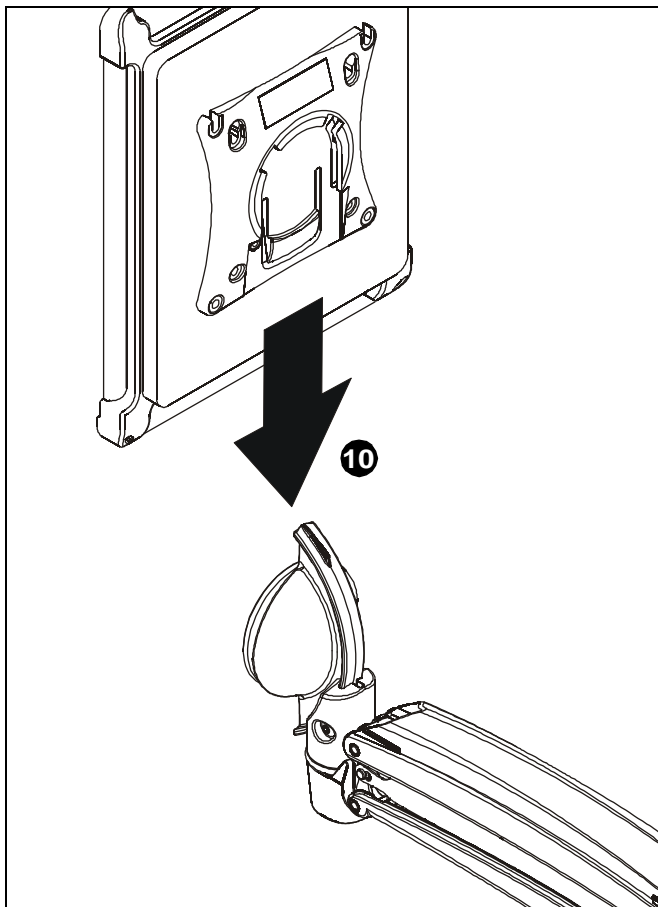


Figure 10

## Adjustments

### Column Height Adjustment

- Loosen column adjustment knob. (See Figure 11)
- Adjust height to desired level. (See Figure 11)
- Tighten column adjustment knob. (See Figure 11)

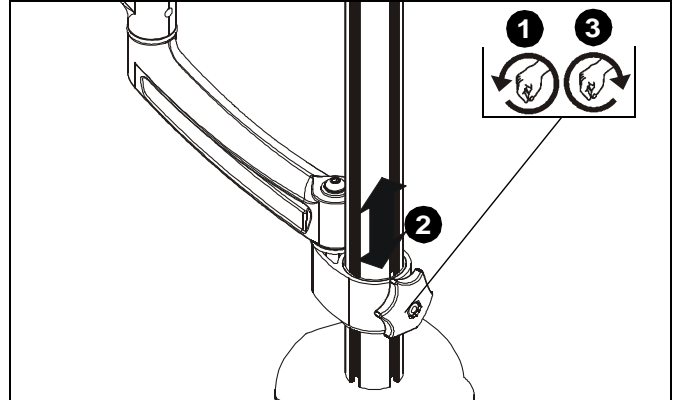


Figure 11

### Pivot Adjustment Range

- Adjust arm angle as desired up to 90 degrees in either direction. (See Figure 12)



**WARNING:** Swinging the arm beyond 90 degrees may result in the mount slipping off the desk causing serious injury!

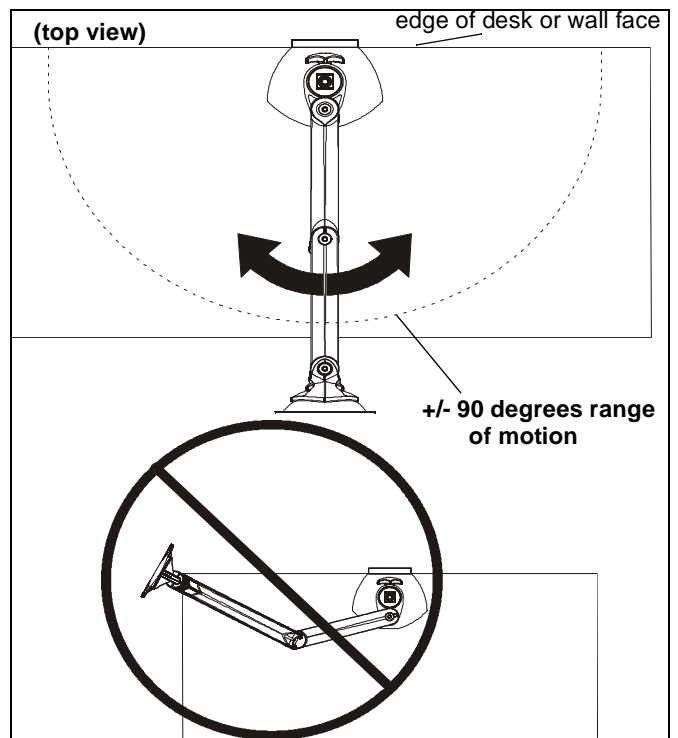


Figure 12

### Head Tilt Adjustment

1. Adjust head tilt to desired tilt position. (See Figure 13)
2. Adjust head tilt tension screw to change the adjustment tension. (See Figure 13)

### Height Adjustment

1. Adjust height to desired level. (See Figure 13)
2. Open cable management cover on upper arm to expose height-adjustable tension screw. See Cable Management section for details.
3. Use 1/8" hex key (K) to adjust height-adjustable tension screw to change adjustment tension. (See Figure 13)
4. Close cable management cover on upper arm. See Cable Management section for details.

### Pivot Adjustment

1. Adjust pivot position as desired. (See Figure 13)
2. Use 3/16" hex key (J) to adjust pivot point tension screws to change pivot adjustment tension. (See Figure 13)

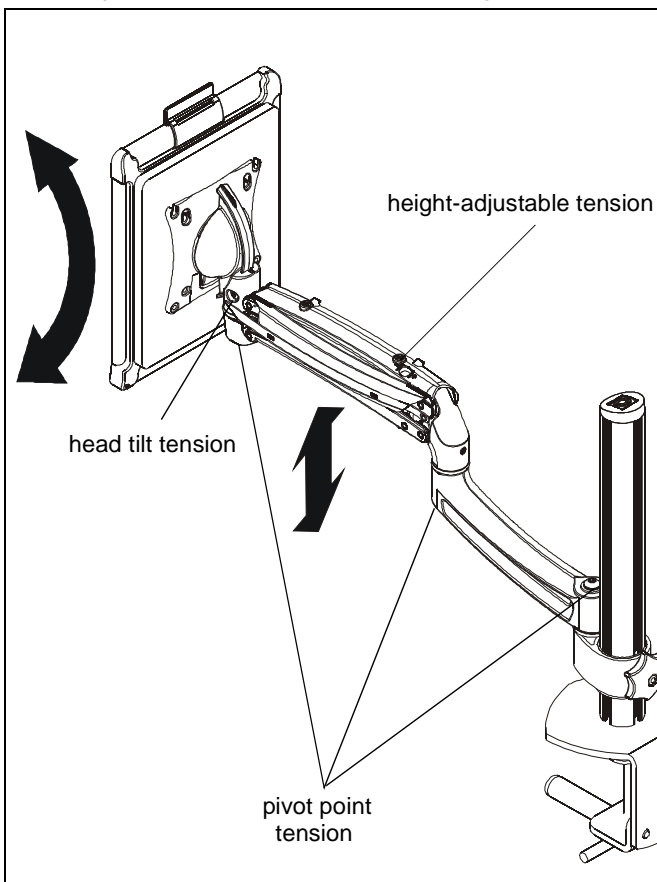


Figure 13

### Portrait Adjustment

The iPad® may be adjusted 90 degrees in either direction in order to provide a portrait view of the iPad®.

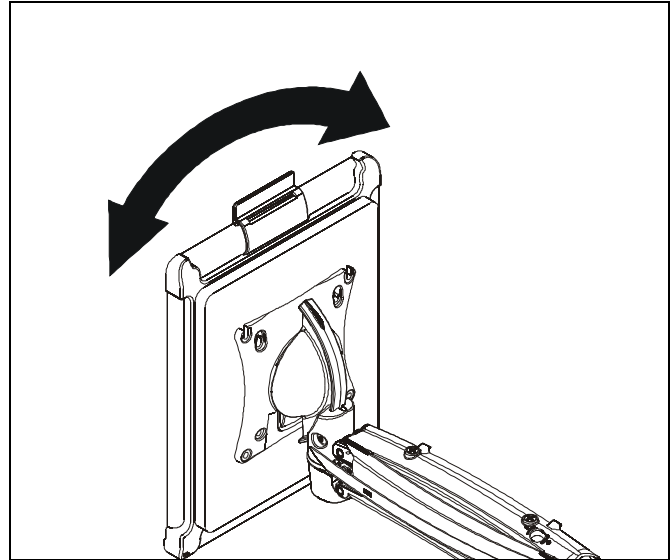


Figure 14

### Cable Management

1. Route cables through cable management channel on upper arm. (See Figure 15)

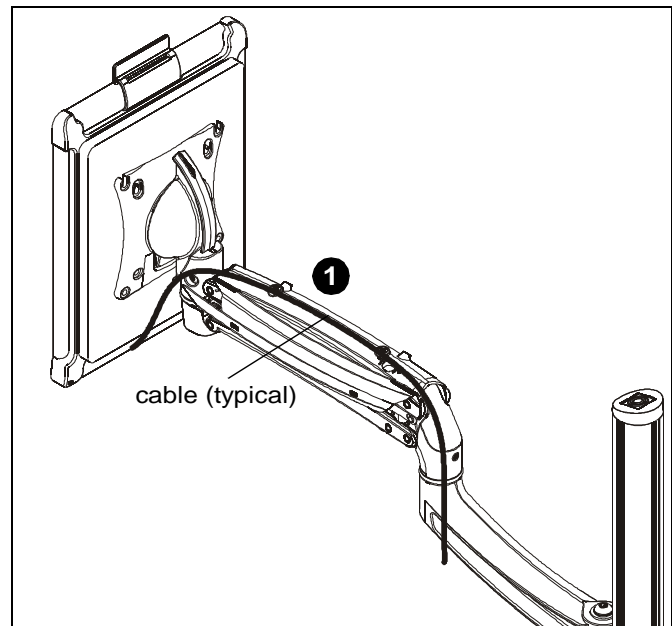


Figure 15











Our Mounts. **Your Vision.**

Chief Manufacturing, a products division  
of Milestone AV Technologies

8800-002197 Rev00  
©2012 Milestone AV Technologies, a  
Duchossois Group Company  
[www.chiefmfg.com](http://www.chiefmfg.com)  
06/12

<b>USA/International</b>	<b>A</b> 6436 City West Parkway, Eden Prairie, MN 55344 <b>P</b> 800.582.6480 / 952.225.6000 <b>F</b> 877.894.6918 / 952.894.6918
<b>Europe</b>	<b>A</b> Franklinstraat 14, 6003 DK Weert, Netherlands <b>P</b> +31 (0) 495 580 852 <b>F</b> +31 (0) 495 580 845
<b>Asia Pacific</b>	<b>A</b> Office No. 1 on 12/F, Shatin Galleria 18-24 Shan Mei Street Fotan, Shatin, Hong Kong <b>P</b> 852 2145 4099 <b>F</b> 852 2145 4477

