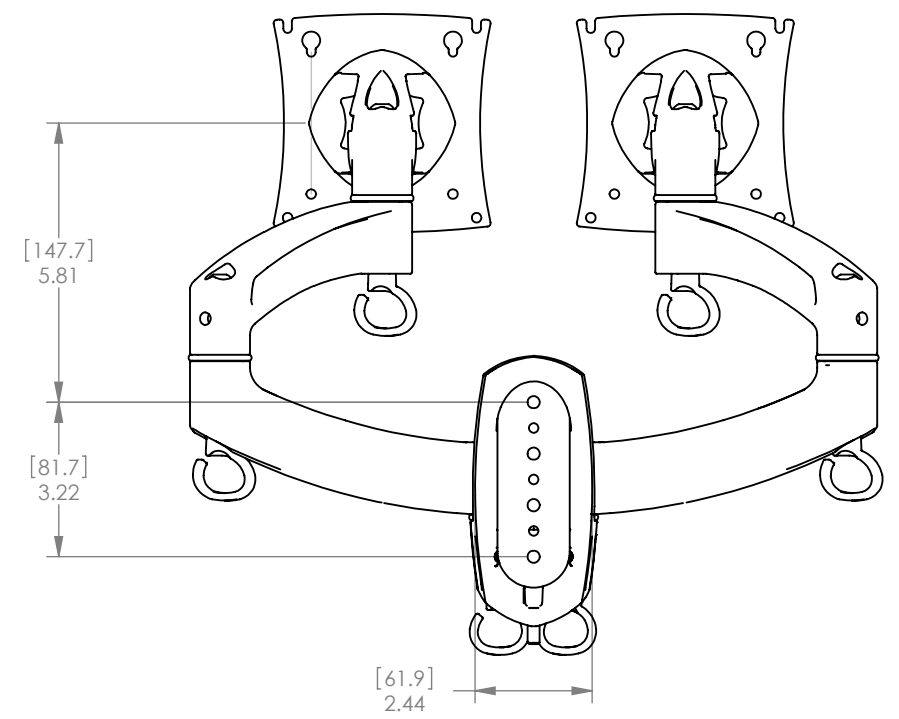
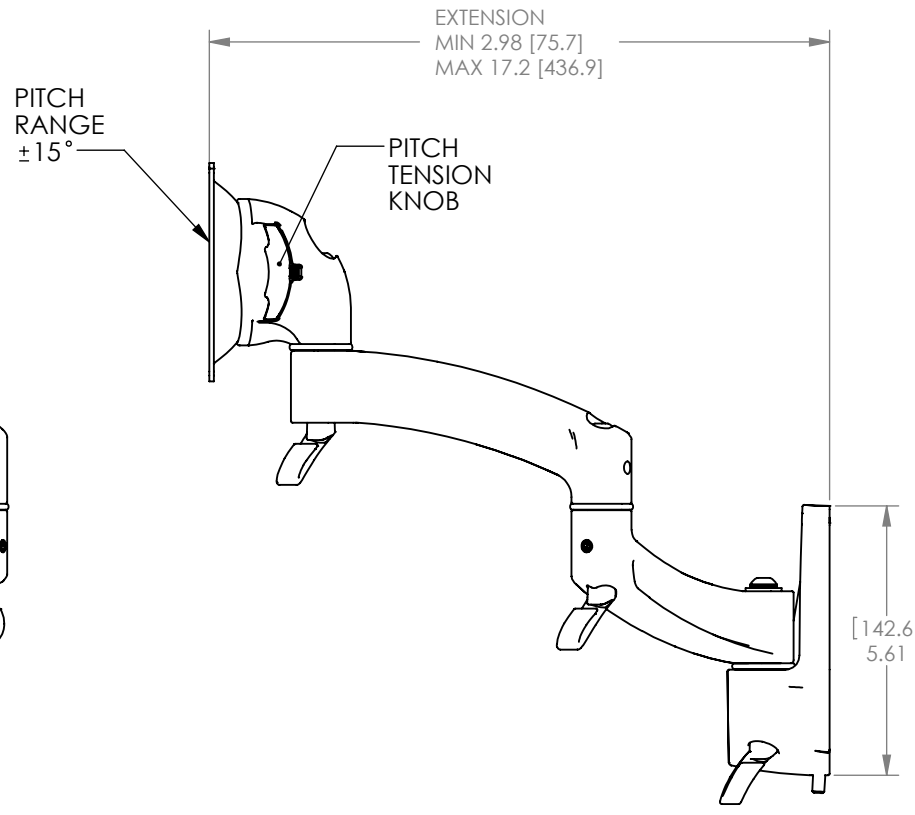
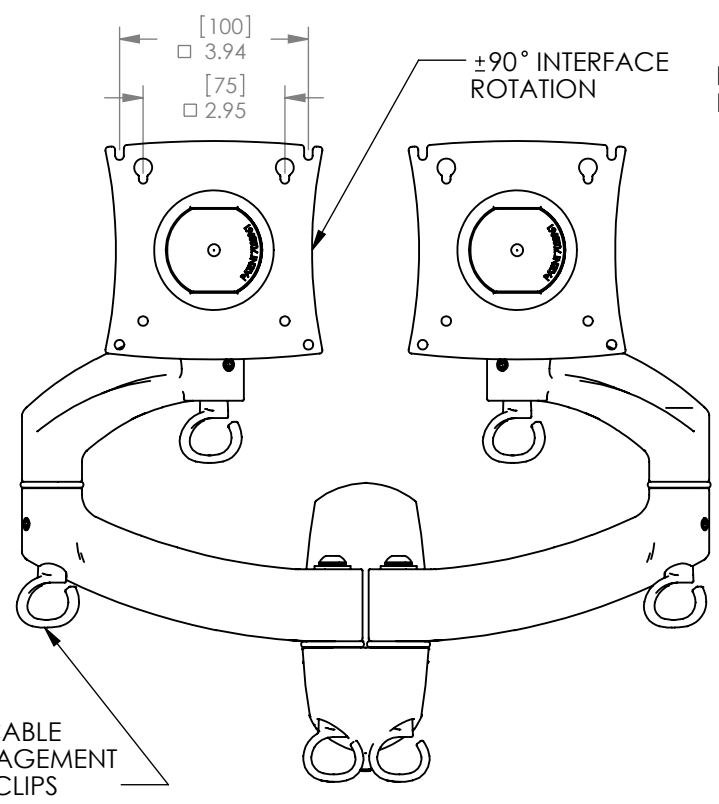
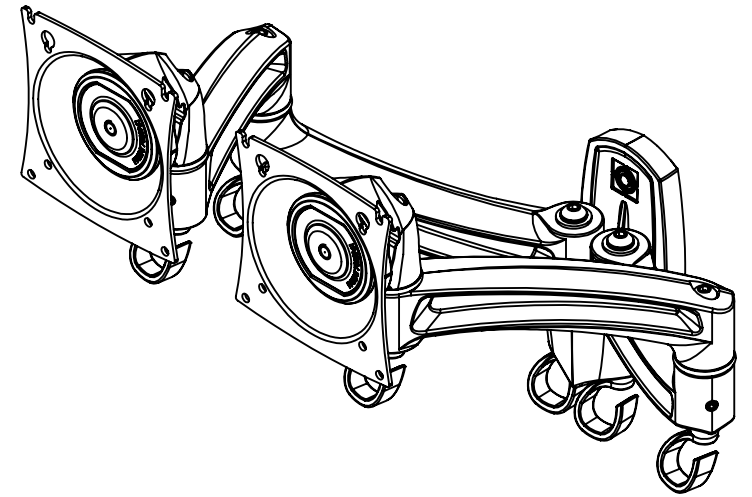
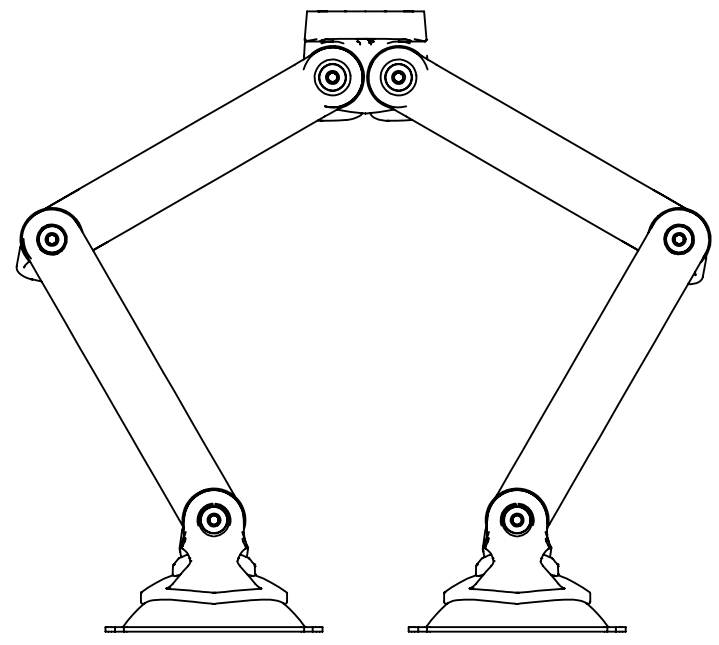


1 2 3 4 5 6 7 8

K2W200

MAXIMUM WIDTH OF 2 PARALLEL, FORWARD-FACING DISPLAYS: 28.25" [717.6]



D  
C  
B  
A

D  
C  
B  
A

THE INFORMATION AND DESIGNS CONTAINED IN THIS DRAWING ARE CONFIDENTIAL AND THE PROPRIETARY PROPERTY OF MILESTONE AV TECHNOLOGIES NEITHER THIS DESIGN NOR ANY INFORMATION CONTAINED IN THIS DRAWING MAY BE REPRODUCED OR DISCLOSED TO OTHERS WITHOUT THE EXPRESS WRITTEN CONSENT OF MILESTONE AV TECHNOLOGIES.

**CHIEF** 8401 EAGLE CREEK PKY  
SAVAGE, MN 55378  
PHONE: 952-894-6280  
FAX: 877-894-6918

DESCRIPTION  
**DUAL MONITOR, WALL MOUNT**

**K2W200**

1 2 3 4 5 6 7 8