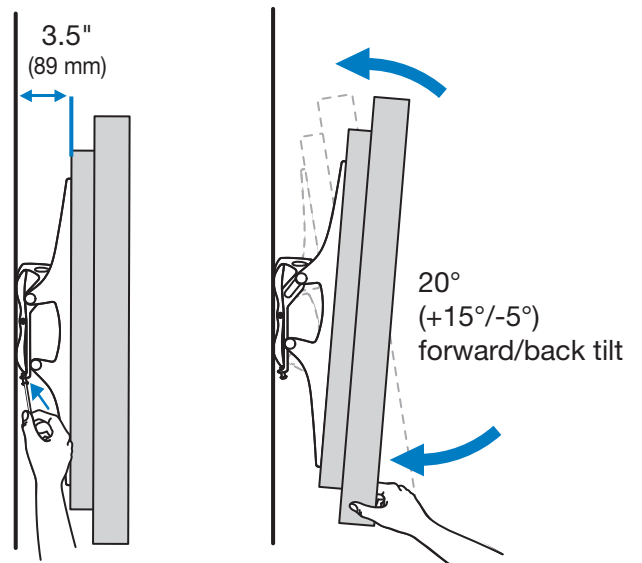
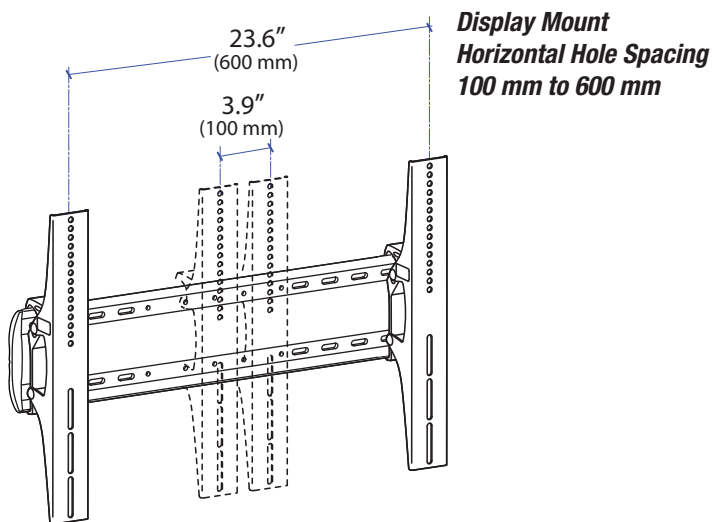
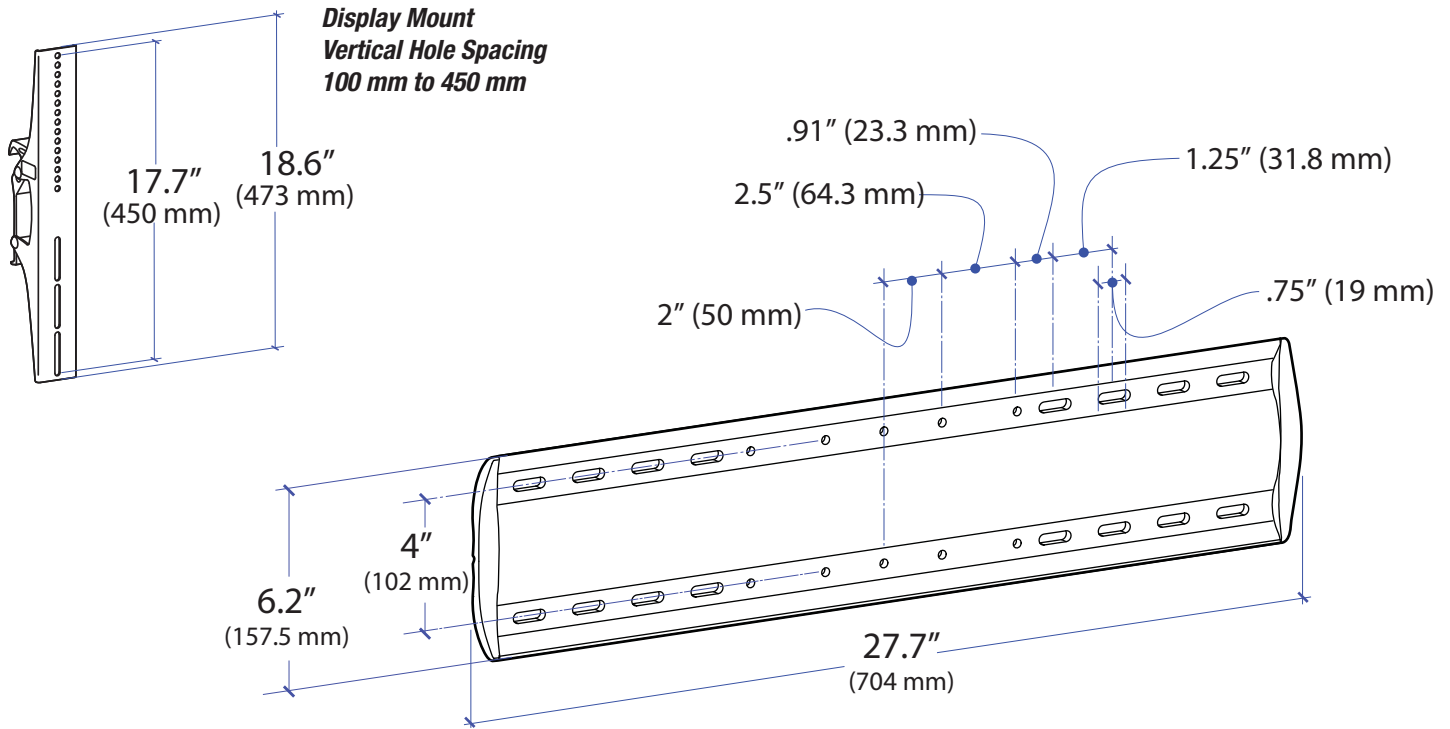


## Tilting Wall Mount



**Wall Clearance**

**Range of Motion**

© 2009 Ergotron, Inc. rev. 1109/09 DIM-58 Content is subject to change without notification

**Americas Sales and  
Corporate Headquarters**

St. Paul, MN USA  
(800) 888-8458  
+1-651-681-7600  
www.ergotron.com  
sales@ergotron.com

**EMEA Sales**

Amersfoort, The Netherlands  
+31 33 45 45 600  
www.ergotron.com  
info.eu@ergotron.com

**APAC Sales**

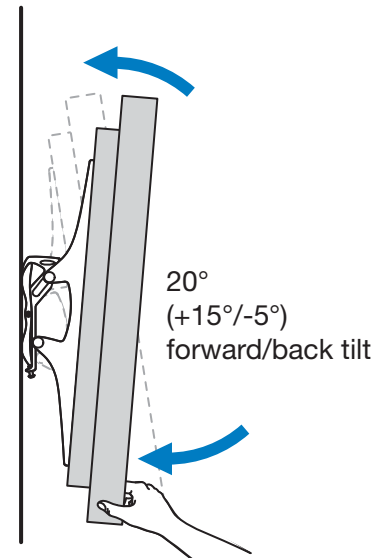
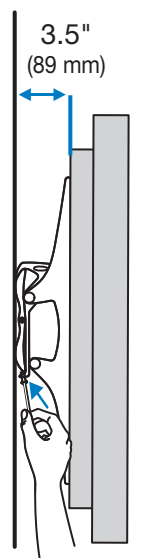
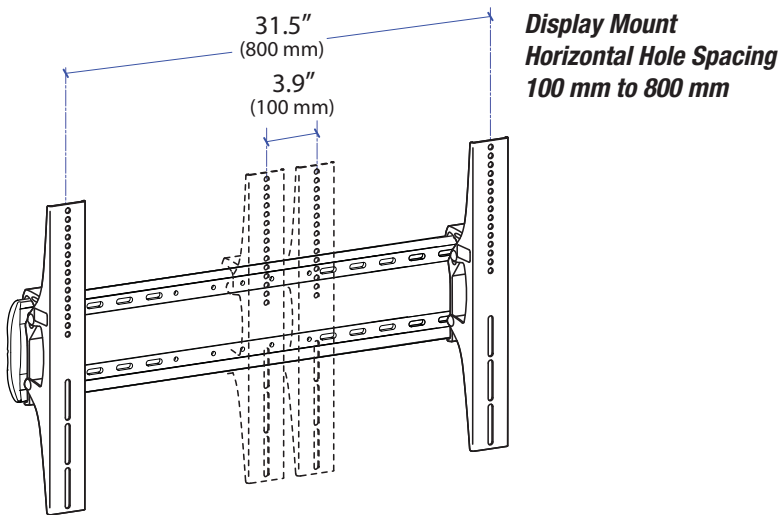
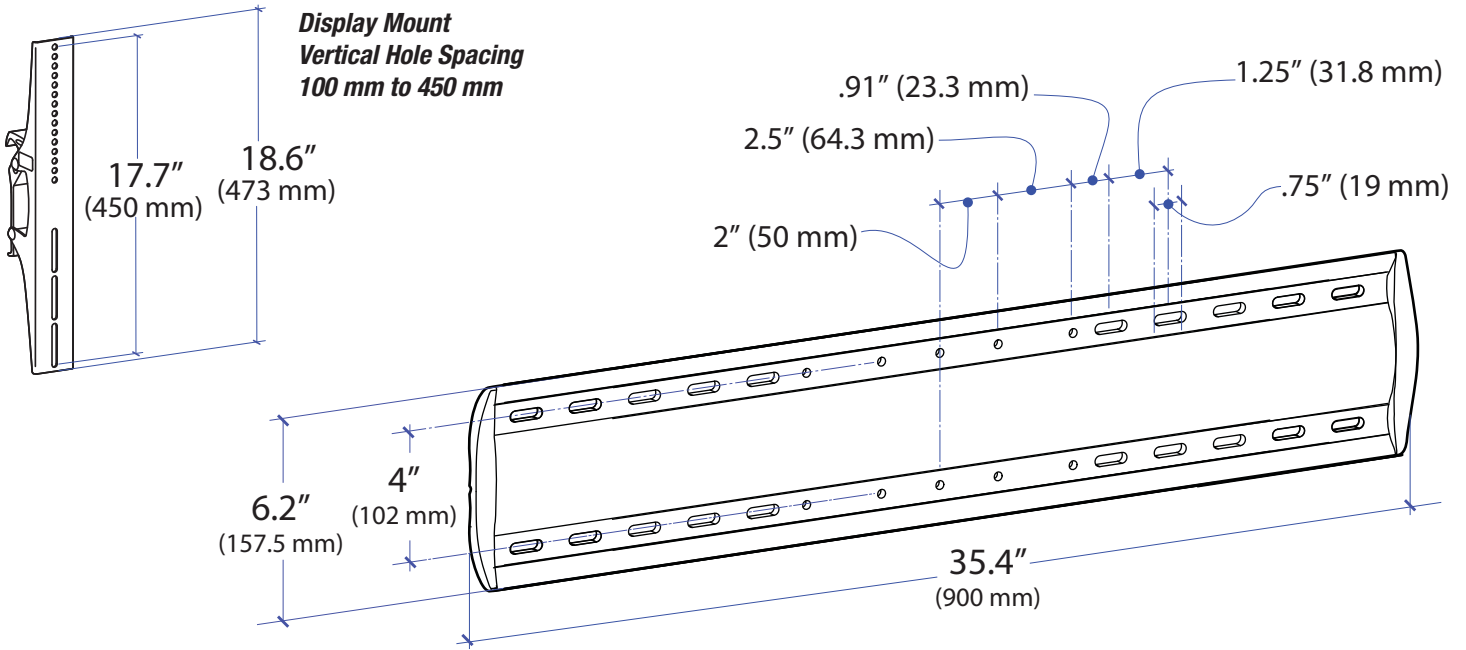
Singapore  
www.ergotron.com  
info.apac@ergotron.com

**Worldwide OEM Sales**

www.ergotron.com  
info.oem@ergotron.com



## Tilting Wall Mount, XL



© 2009 Ergotron, Inc. rev. 1109/09 DIM-58 Content is subject to change without notification

**Americas Sales and Corporate Headquarters**

St. Paul, MN USA  
(800) 888-8458  
+1-651-681-7600  
www.ergotron.com  
sales@ergotron.com

**EMEA Sales**

Amersfoort, The Netherlands  
+31 33 45 45 600  
www.ergotron.com  
info.eu@ergotron.com

**APAC Sales**

Singapore  
www.ergotron.com  
info.apac@ergotron.com

**Worldwide OEM Sales**

www.ergotron.com  
info.oem@ergotron.com

