



FEATURES

- 1 HEAVY DUTY DESIGN**
Sleek, solidly constructed forged aluminum arms.
- 2 FAST INSTALLATION**
Tear-drop hole pattern for easy mounting and maintenance.
- 3 CABLE MANAGEMENT**
Tool-free cable management guide clips for a clean, professional look.
- 4 CENTRIS™ TURN-TITE TILT PATENTED FEATURE**
Tilts $\pm 15^\circ$ for a flexible ergonomic solution.



(Shown with Apple® Cinema Display adapter, not included.)

SPECIFICATIONS

Depth from Wall	2.98" (76 mm)
Max. Extension	17.2" (437 mm)
Tilt	$\pm 15^\circ$
Weight Capacity	40 lbs (18.1 kg)
Colors	Black, Silver

WHAT YOU NEED TO KNOW

MOUNTING PATTERNS

Compatible with 75 x 75 mm and 100 x 100 mm VESA® patterns.

OFFICE FURNITURE SYSTEMS

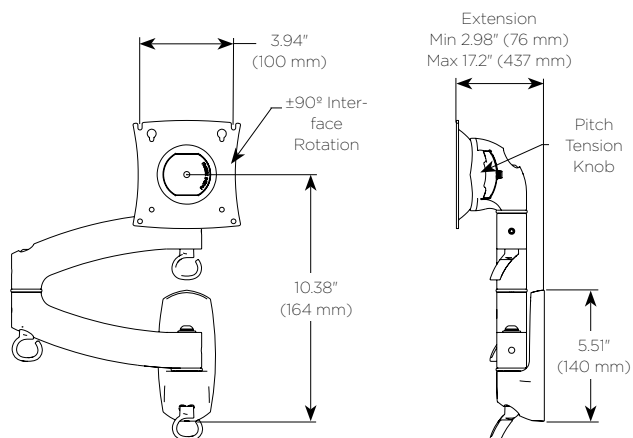
Compatible with custom and universal Interface Brackets for Office Furniture Systems (OFB).

OTHER PRODUCT OPTION



K2W200
Swivel Wall Mount, Dual Monitor

TECHNICAL DRAWINGS



RECOMMENDED ACCESSORY



FSBI2B ■ K2 Series iPad® Interface Bracket

For a complete list of monitor mount accessories see page 121.