



FEATURES

- 1 HEAVY DUTY DESIGN**
Sleek, solidly constructed forged aluminum arms.
- 2 ULTIMATE FLEXIBILITY**
Dynamic height adjustment using gas-spring technology for ideal positioning.
- 3 FAST INSTALLATION**
Simple 3-step installation and integrated quick-connect interface for easy mounting and maintenance.
- 4 CABLE MANAGEMENT**
Tool-free cable management covers for a clean, professional look.
- 5 CENTRIS™ EXTREME TILT**
PATENTED FEATURE
Tilts -75°/+10° for an ultimate ergonomic solution.



(Shown with Apple® Cinema Display adapter, not included.)

SPECIFICATIONS

Depth from Wall	2.09" (53 mm)
Max. Extension	19.9" (505 mm)
Tilt	-75° / +10°
Height Assist	13" (330 mm)
Weight Capacity	5 - 25 lbs (2.3 - 11.3 kg)
Colors	Black, Silver

WHAT YOU NEED TO KNOW

MOUNTING PATTERNS

Compatible with 75 x 75 mm and 100 x 100 mm VESA® patterns.

OFFICE FURNITURE SYSTEMS

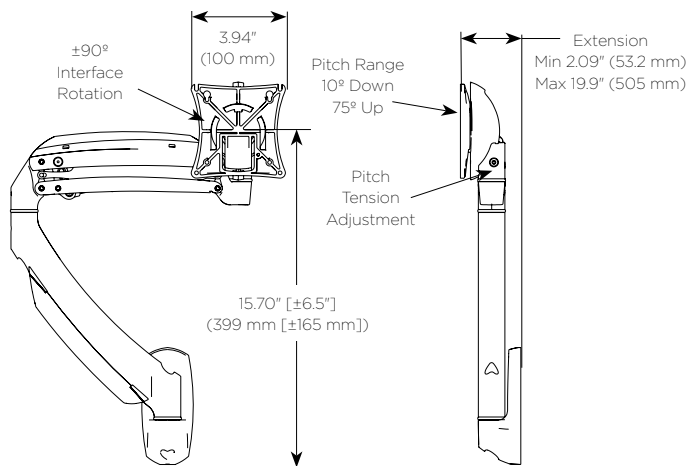
Compatible with custom and universal Interface Brackets for Office Furniture Systems (OFB).

QUICK-CONNECT INTERFACE

Easily attach and remove interface from mounting head without removing monitor - no tools necessary!



TECHNICAL DRAWINGS



INSTALLATION

