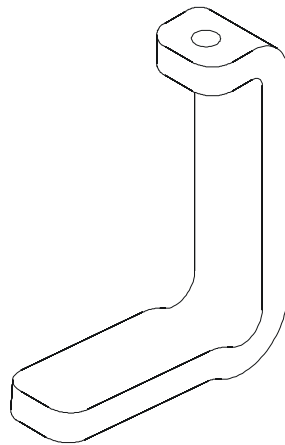

INSTALLATION INSTRUCTIONS



Extended Kontour™ Desk Clamp

DISCLAIMER

Milestone AV Technologies and its affiliated corporations and subsidiaries (collectively "Milestone"), intend to make this manual accurate and complete. However, Milestone makes no claim that the information contained herein covers all details, conditions or variations, nor does it provide for every possible contingency in connection with the installation or use of this product. The information contained in this document is subject to change without notice or obligation of any kind. Milestone makes no representation of warranty, expressed or implied, regarding the information contained herein. Milestone assumes no responsibility for accuracy, completeness or sufficiency of the information contained in this document.

Chief® and Kontour™ are registered trademarks of Milestone AV Technologies. All rights reserved.



IMPORTANT SAFETY INSTRUCTIONS!



WARNING: A WARNING alerts you to the possibility of serious injury or death if you do not follow the instructions.



CAUTION: A CAUTION alerts you to the possibility of damage or destruction of equipment if you do not follow the corresponding instructions.



WARNING: Failure to read, thoroughly understand, and follow all instructions can result in serious personal injury, damage to equipment, or voiding of factory warranty! It is the installer's responsibility to make sure all components are properly assembled and installed using the instructions provided.



WARNING: Use this mounting system only for its intended use as described in these instructions. Do not use attachments not recommended by the manufacturer.



WARNING: Never operate this mounting system if it is damaged. Return the mounting system to a service center for examination and repair.



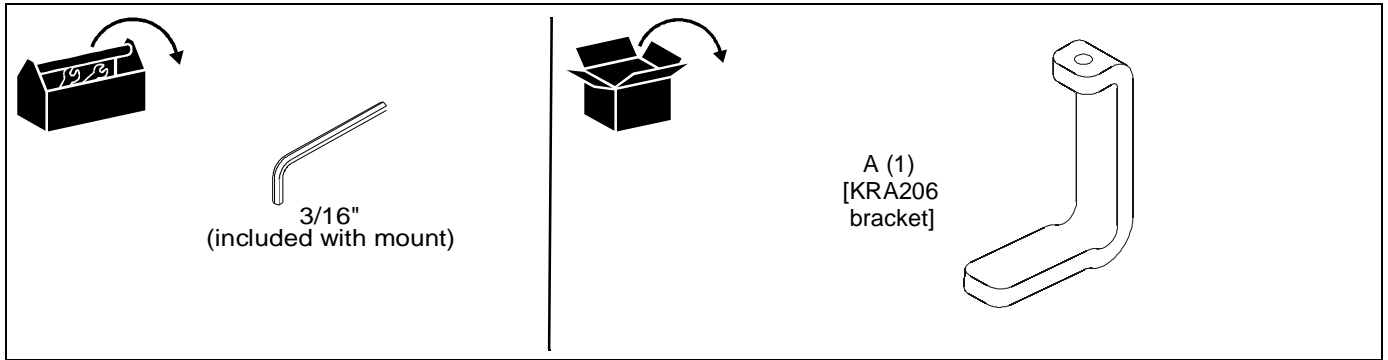
WARNING: Do not use this product outdoors.



WARNING: Failure to provide adequate structural strength for this component can result in serious personal injury or damage to equipment! The KRA206 can ONLY be mounted onto desks measuring between 3/4" and 2 1/2" in depth!

--SAVE THESE INSTRUCTIONS--

TOOLS / PARTS FOR INSTALLATION



ASSEMBLY AND INSTALLATION

1. Remove desk clamp from Kontour™ mount by loosening button head cap screw until clamp is completely disengaged from the bolt. (See Figure 1)

NOTE: Button head cap screw can be removed or left loosely in its hole after clamp is removed.

2. Maneuver clamp so that it is totally removed from desk mount. (See Figure 1)

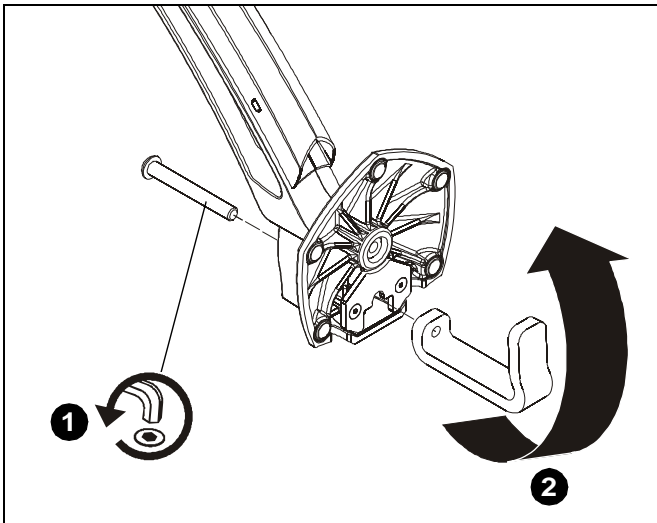


Figure 1

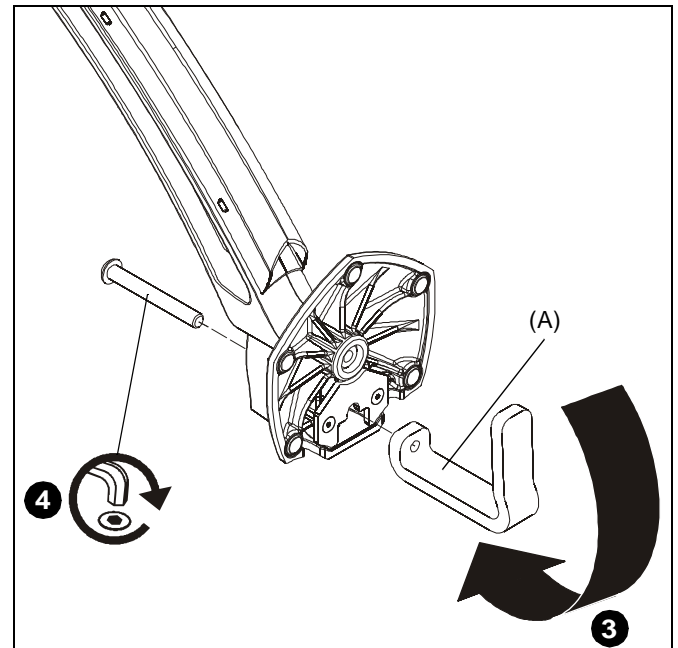


Figure 2

3. Maneuver KRA206 clamp extension bracket (A) so that it is positioned for installation with the hole on the top of the bracket lining up with the hole on the desk mount. (See Figure 2)
4. Reinstall removed button head cap screw to attach KRA206 clamp extension bracket (A) to Kontour™ mount. (See Figure 2)

5. Complete the installation following the mount installation instructions.



Our Mounts. **Your Vision.**

Chief Manufacturing, a products division
of Milestone AV Technologies

8800-002190 Rev00
©2012 Milestone AV Technologies, a
Duchossois Group Company
www.chiefmfg.com
05/12

USA/International	A 6436 City West Parkway, Eden Prairie, MN 55344 P 800.582.6480 / 952.225.6000 F 877.894.6918 / 952.894.6918
Europe	A Franklinstraat 14, 6003 DK Weert, Netherlands P +31 (0) 495 580 852 F +31 (0) 495 580 845
Asia Pacific	A Office No. 1 on 12/F, Shatin Galleria 18-24 Shan Mei Street Fotan, Shatin, Hong Kong P 852 2145 4099 F 852 2145 4477

