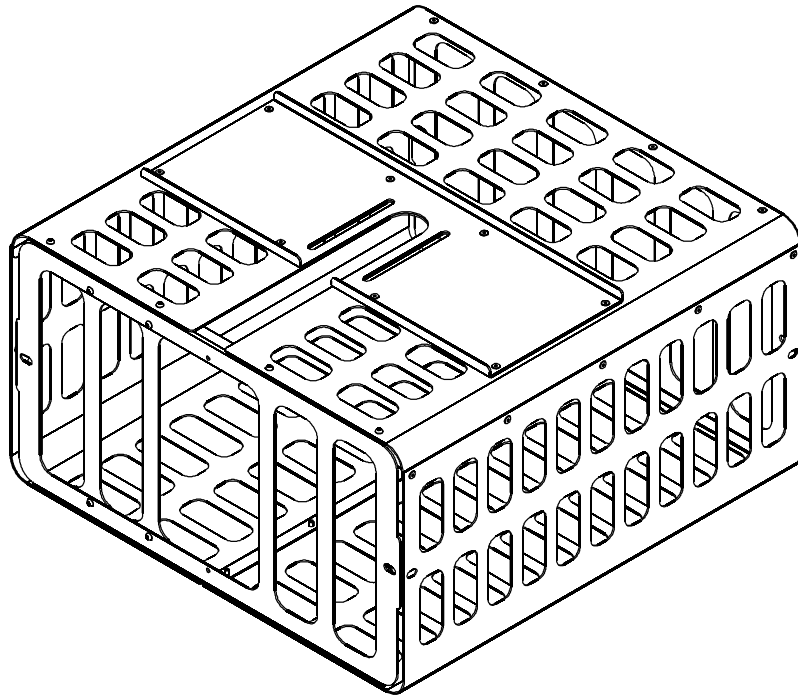


---

# INSTALLATION INSTRUCTIONS

---



---

## Projector Guard Security Cage

---

**DISCLAIMER**

Milestone AV Technologies and its affiliated corporations and subsidiaries (collectively "Milestone"), intend to make this manual accurate and complete. However, Milestone makes no claim that the information contained herein covers all details, conditions or variations, nor does it provide for every possible contingency in connection with the installation or use of this product. The information contained in this document is subject to change without notice or obligation of any kind. Milestone makes no representation of warranty, expressed or implied, regarding the information contained herein. Milestone assumes no responsibility for accuracy, completeness or sufficiency of the information contained in this document.

Chief® is a registered trademark of Milestone AV Technologies. All rights reserved.



**WARNING:** Failure to read, thoroughly understand, and follow all instructions can result in serious personal injury, damage to equipment, or voiding of factory warranty! It is the installer's responsibility to make sure all components are properly assembled and installed using the instructions provided.



**WARNING:** Failure to provide adequate structural strength for this component can result in serious personal injury or damage to equipment! It is the installer's responsibility to make sure the structure to which this component is attached can support five times the combined weight of all equipment. Reinforce the structure as required before installing the component.



**IMPORTANT WARNINGS AND CAUTIONS!**



**WARNING:** A WARNING alerts you to the possibility of serious injury or death if you do not follow the instructions.



**CAUTION:** A CAUTION alerts you to the possibility of damage or destruction of equipment if you do not follow the corresponding instructions.

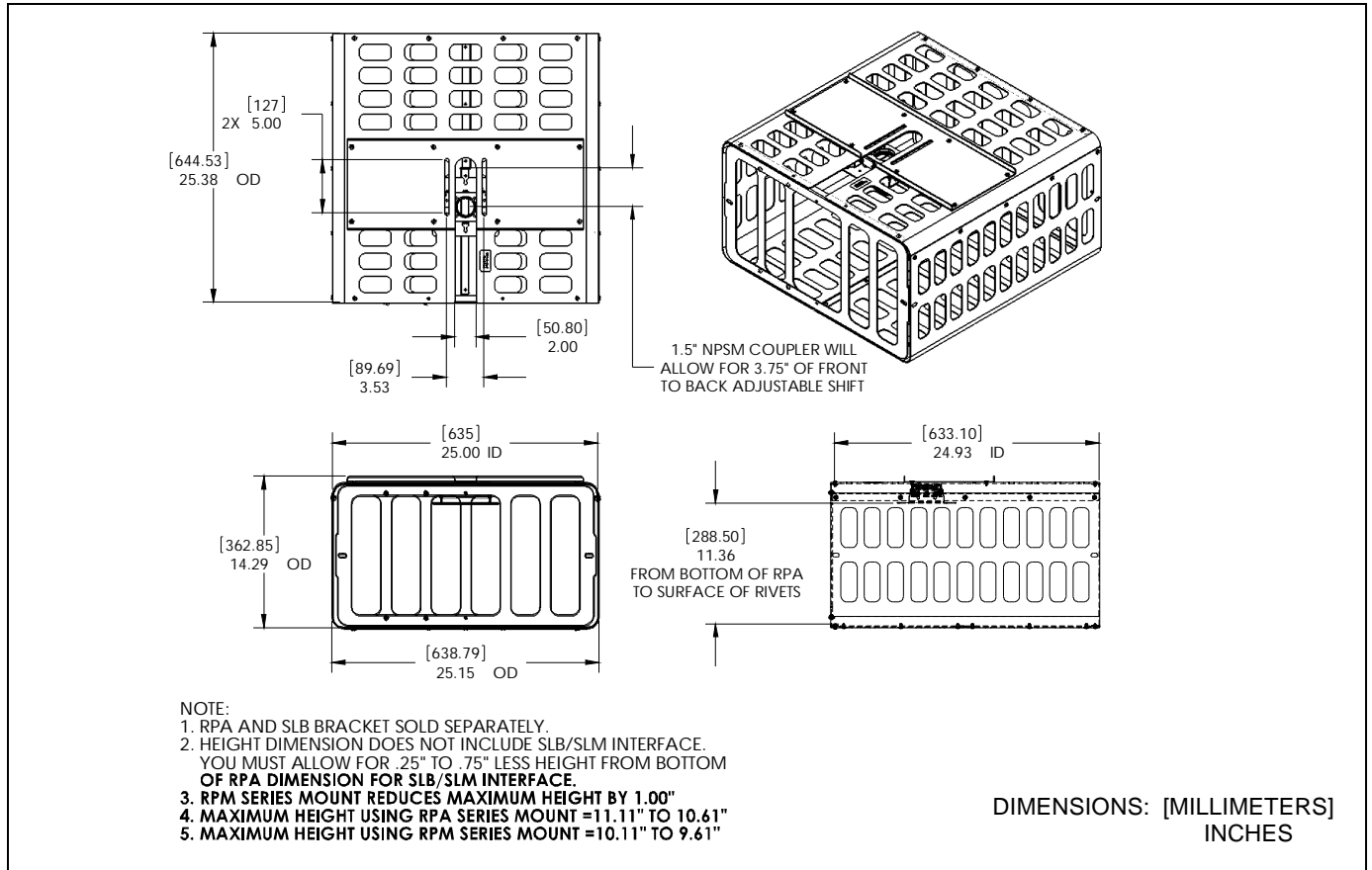
**PROJECTOR GUARD SPECIFICATIONS**

Model	Dimensions			Projector Size Limit		
	Height	Width	Depth	Height	Width	Depth
PG-3A	14.33"	25.24"	25.51"	10.75" *	25.00"	25.00"
	363.982mm	641.096mm	647.954mm	27.30 cm	63.5 cm	63.5 cm

\* Height dimension from bottom of RPA to surface of rivets (at bottom of projector guard).

- Height dimension does NOT include SLB/SLM interface. You must allow for 0.25" to 0.75" less height to account for the SLB/SLM interface.
- RPM Series mount reduces maximum height by 1.00".
- Maximum height using RPA Series mount is 11.11" to 10.61".
- Maximum height using RPM Series mount is 10.11" to 9.61".
- The PG3A weighs 44 lb (19.96 kg).

**DIMENSIONS**



**LEGEND**

	<b>Tighten Fastener</b>
	Apretar elemento de fijación
	Befestigungsteil festziehen
	Apertar fixador
	Serrare il fissaggio
	Bevestiging vastdraaien
	Serrez les fixations

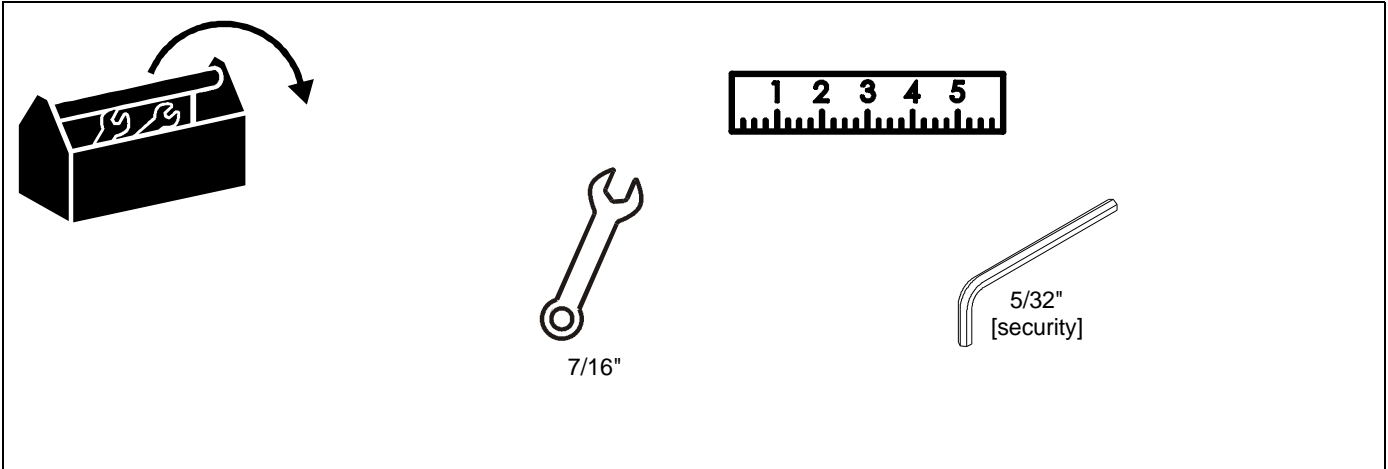
	<b>Loosen Fastener</b>
	Aflojar elemento de fijación
	Befestigungsteil lösen
	Desapertar fixador
	Allentare il fissaggio
	Bevestiging losdraaien
	Desserrez les fixations

	<b>Open-Ended Wrench</b>
	Llave de boca
	Gabelschlüssel
	Chave de bocas
	Chiave a punte aperte
	Steekleutel
Clé à fourche	

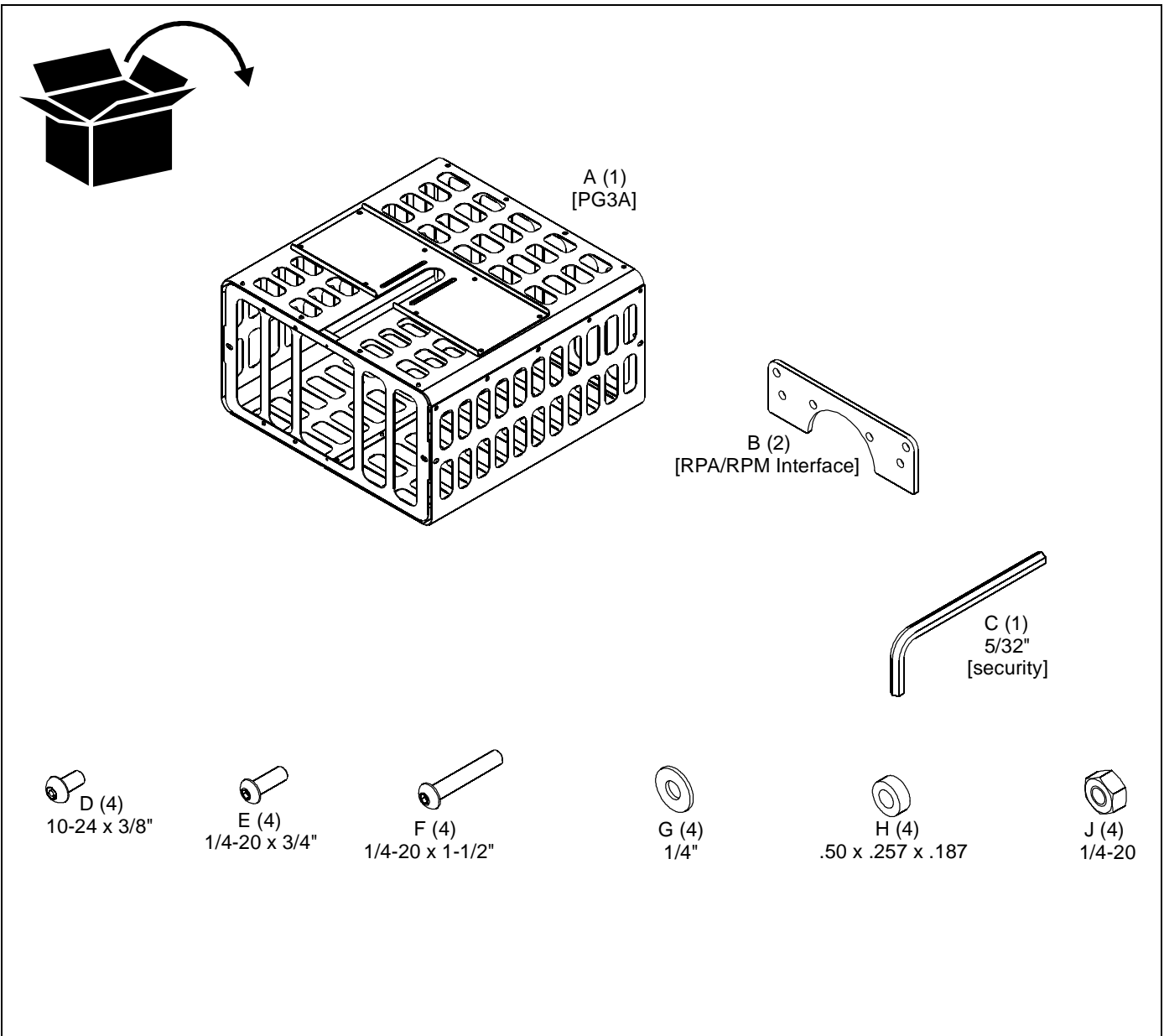
	<b>Security Wrench</b>
	Llave de seguridad
	Sicherheitsschlüssel
	Chave de segurança
	Chiave di sicurezza
	Veiligheidssleutel
	Clé de sécurité

	<b>By Hand</b>
	A mano
	Von Hand
	Com a mão
	A mano
	Met de hand
	À la main

### TOOLS REQUIRED FOR INSTALLATION



### PARTS



## ASSEMBLY AND INSTALLATION

**NOTE:** The PG3A should not be used in a flush ceiling mount.

**NOTE:** The projector must be removed from the mount before installing this accessory.

### Removing Projector from Ceiling Mount

1. Power off the projector and disconnect the power cord.
2. Disconnect any audio/video cables from the projector.
3. Loosen the thumb nuts securing the projector to the RPA/RPM mount. (See Figure 1)

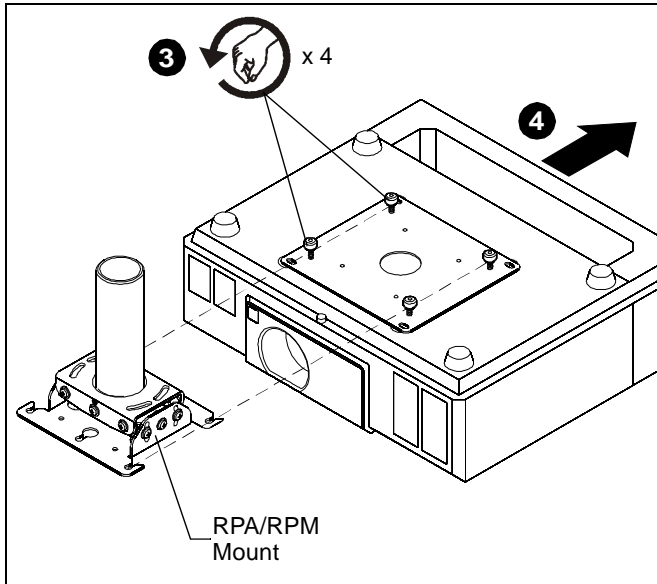


Figure 1

4. Carefully slide the projector away from the RPA/RPM until it disengages from the RPA/RPM mount.

### Attaching Interface Bracket to RPM/RPA

1. **For RPM only:** Prepare two interface brackets (B) using four 1/4-20 x 3/4" buttonhead screws (E), four 1/4" flat washers (G) and four 1/4" hex nuts (J). (See Figure 2)

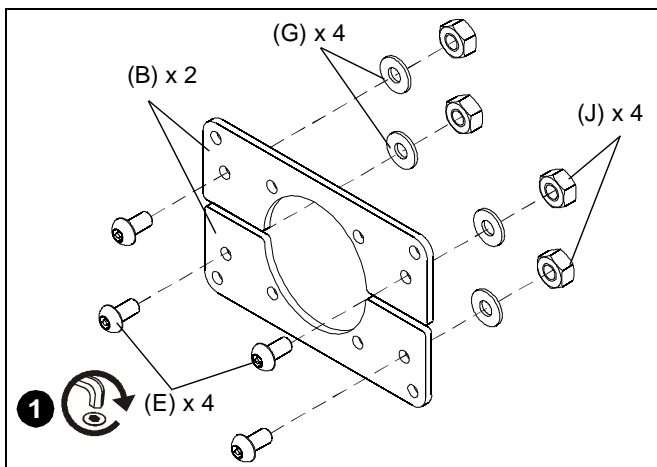


Figure 2

2. Attach two interface brackets (B) to RPM using four 1/4-20 x 1-1/2" buttonhead cap screws (F) and four nylon spacers (H). (See Figure 3)

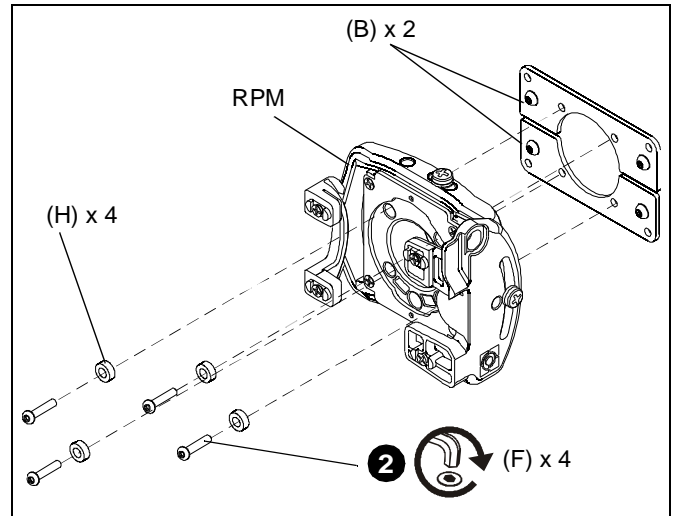


Figure 3

3. **For RPA only:** Attach two interface brackets (B) to the RPA using four 1/4-20 x 3/4" buttonhead screws (E), four 1/4" flat washers (G) and four 1/4" hex nuts (J). (See Figure 4)

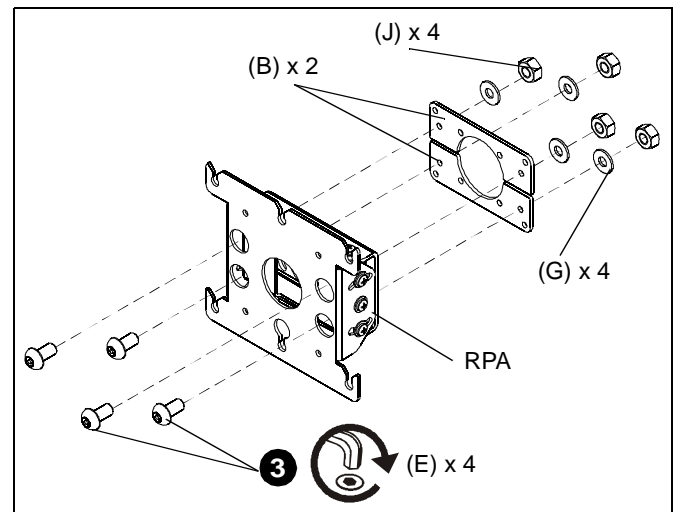


Figure 4

## Configure Fillers on the Projector Guard

**NOTE:** The open cutout in the projector guard is designated as the **FRONT** of the guard.

1. Remove and keep the two security screws from the top and bottom of the front (on side that will swing open). Leave the two screws installed on the hinge side of the projector guard. (See Figure 5)

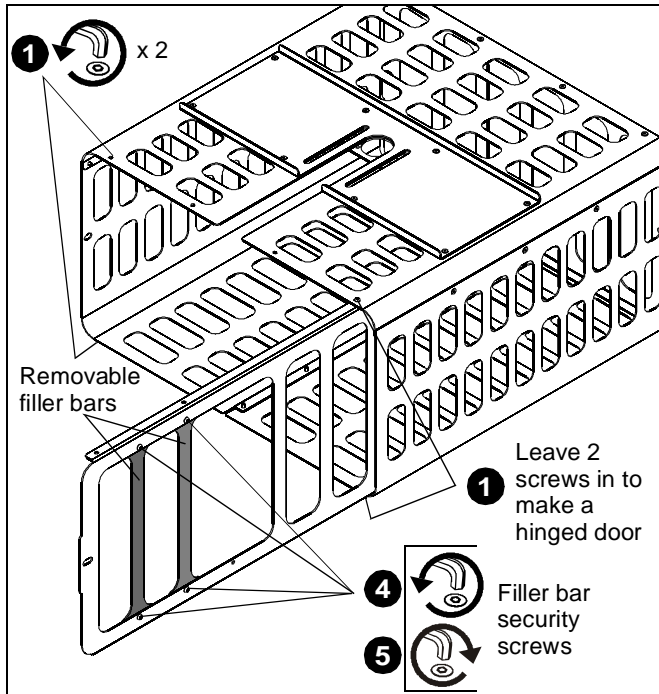


Figure 5

2. Place projector inside the projector guard.

**NOTE:** The front fillers serve two different purposes. The front fillers can be installed to accommodate the various projector lens positions.

3. Check the position of the front fillers to ensure the projector lens is unobstructed.
4. To move the fillers, remove the two security screws from each filler.
5. Change the fillers position as necessary, and reinstall the security screws
6. Remove the projector from the projector guard.

## Install Projector on RPA/RPM

1. Ensure the SLB/SLM is installed on the projector. (See Figure 6) If the SLB/SLM needs to be installed, install it according to the installation instructions provided with the SLB/SLM.
2. To connect the RPA/RPM to a new projector, refer to the installation instructions provided with the RPA/RPM.
3. For a pole-mounted RPA/RPM, slide the slotted openings on the RPA/RPM into the threaded studs on the SLB/SLM. (See Figure 6) Fasten the RPA/RPM to the SLB/SLM with thumb nuts and hand tighten.

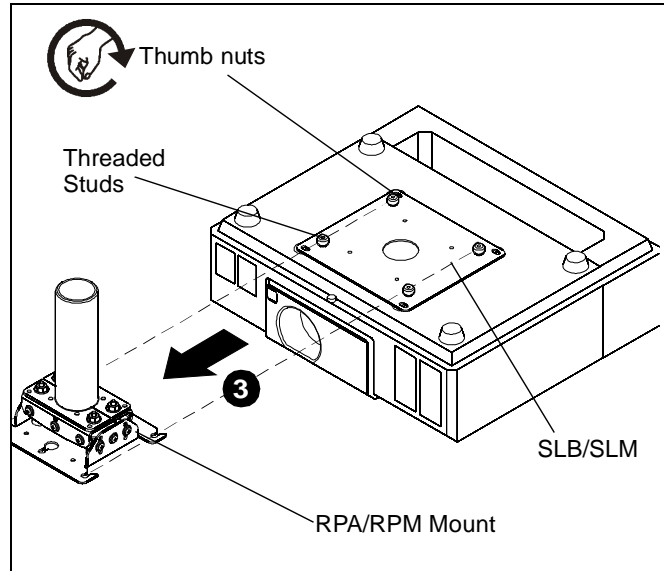


Figure 6

## Install Projector Guard on Pole-Mounted Projector

1. Remove the four 1/4" flat washers (G) and four 1/4" hex nuts (J) from on top of the RPA/RPM mount. (See Figure 7)

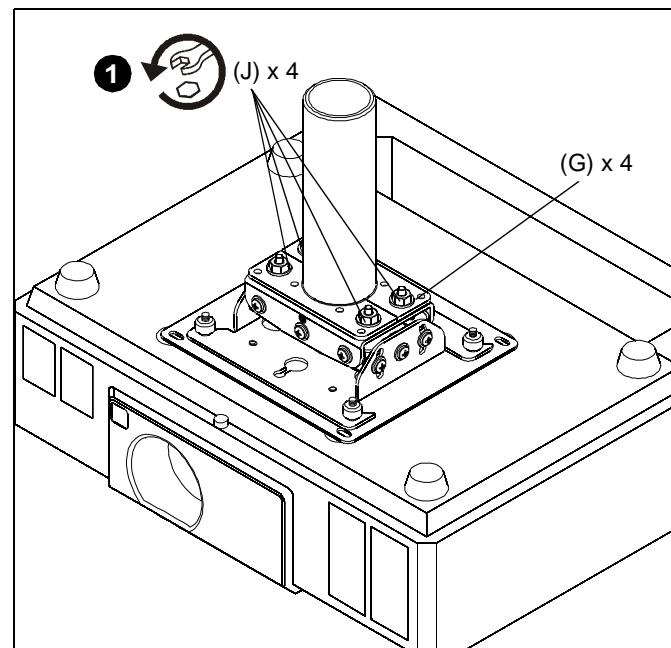


Figure 7

2. Slide the projector guard (A) into position over the projector, while aligning the slots on the projector guard with the screws in the RPA/RPM mount. (See Figure 8)
3. Align the projector to sit evenly in the projector guard (A).
4. Reinstall the 1/4" hex nuts (J) and 1/4" washers (G) onto the screws (E). (See Figure 8)

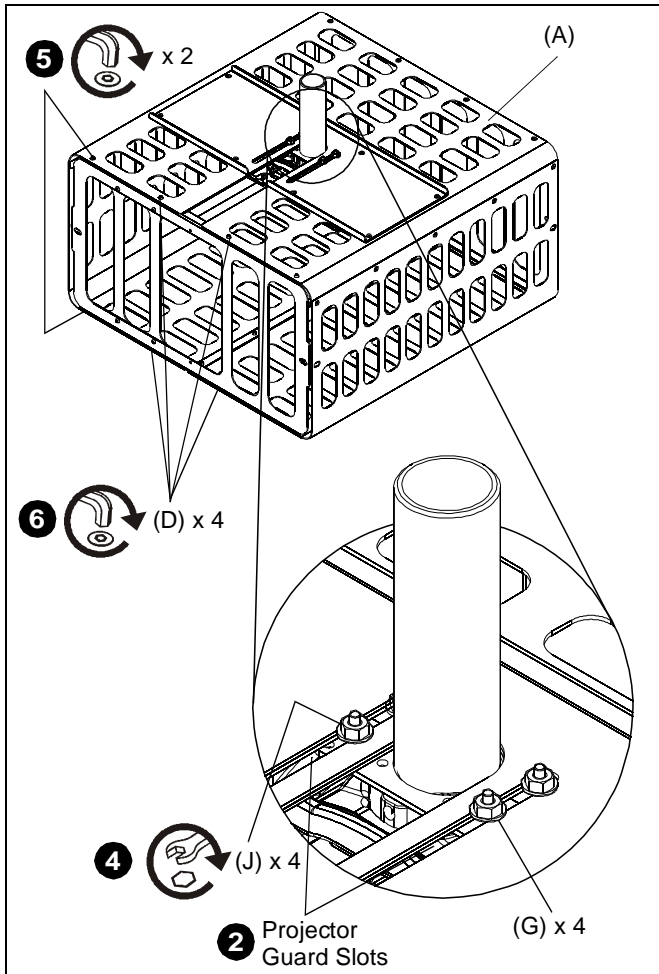


Figure 8

5. Close the hinged door on the projector guard and reinstall the two security screws which were removed in Step 1 of **Configure Fillers on the Projector Guard**. (See Figure 8)
6. Install four 10-24 x 3/8" security screws (D) in remaining four holes. (See Figure 8)

**NOTE:** A padlock may be placed on the projector guard for added security. (See Figure 9)

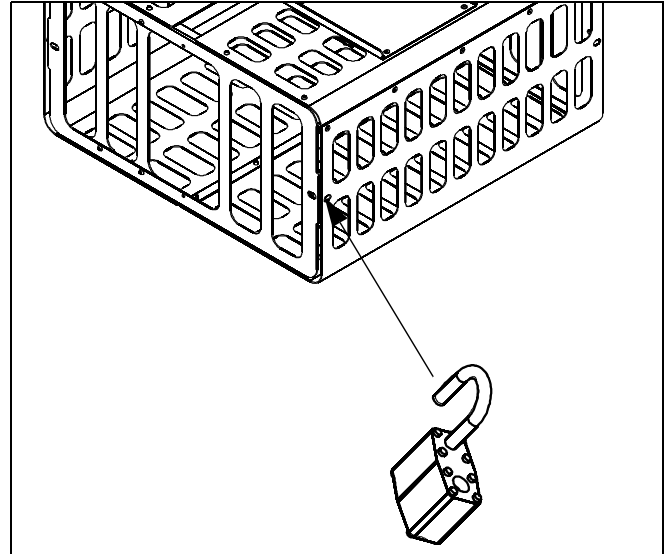


Figure 9



Our Mounts. **Your Vision.**

Chief Manufacturing, a products division  
of Milestone AV Technologies

8803-002010 Rev00

©2010 Milestone AV Technologies, a  
Duchossois Group Company

[www.chiefmfg.com](http://www.chiefmfg.com)

02/10

**USA/International**

**A** 8401 Eagle Creek Parkway, Savage, MN 55378

**P** 800.582.6480 / 952.894.6280

**F** 877.894.6918 / 952.894.6918

**Europe**

**A** Fellenoord 130 5611 ZB EINDHOVEN, The Netherlands

**P** +31 (0)40 2668620

**F** +31 (0)40 2668615

**Asia Pacific**

**A** Office No. 1 on 12/F, Shatin Galleria  
18-24 Shan Mei Street

Fotan, Shatin, Hong Kong

**P** 852 2145 4099

**F** 852 2145 4477

