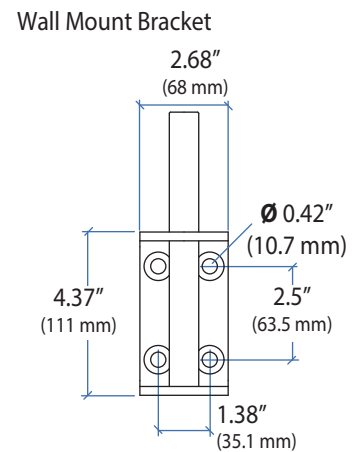
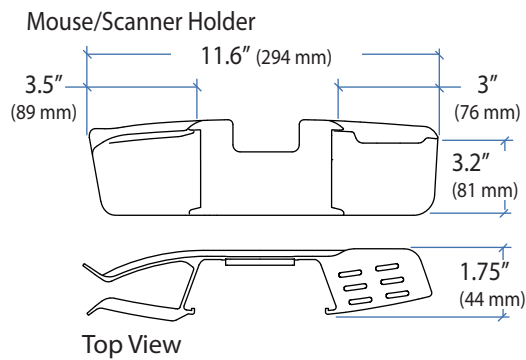
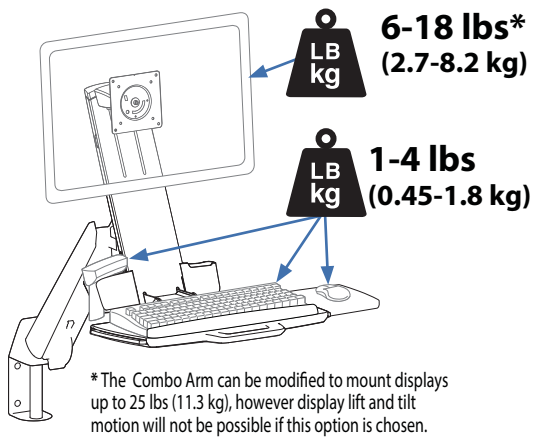
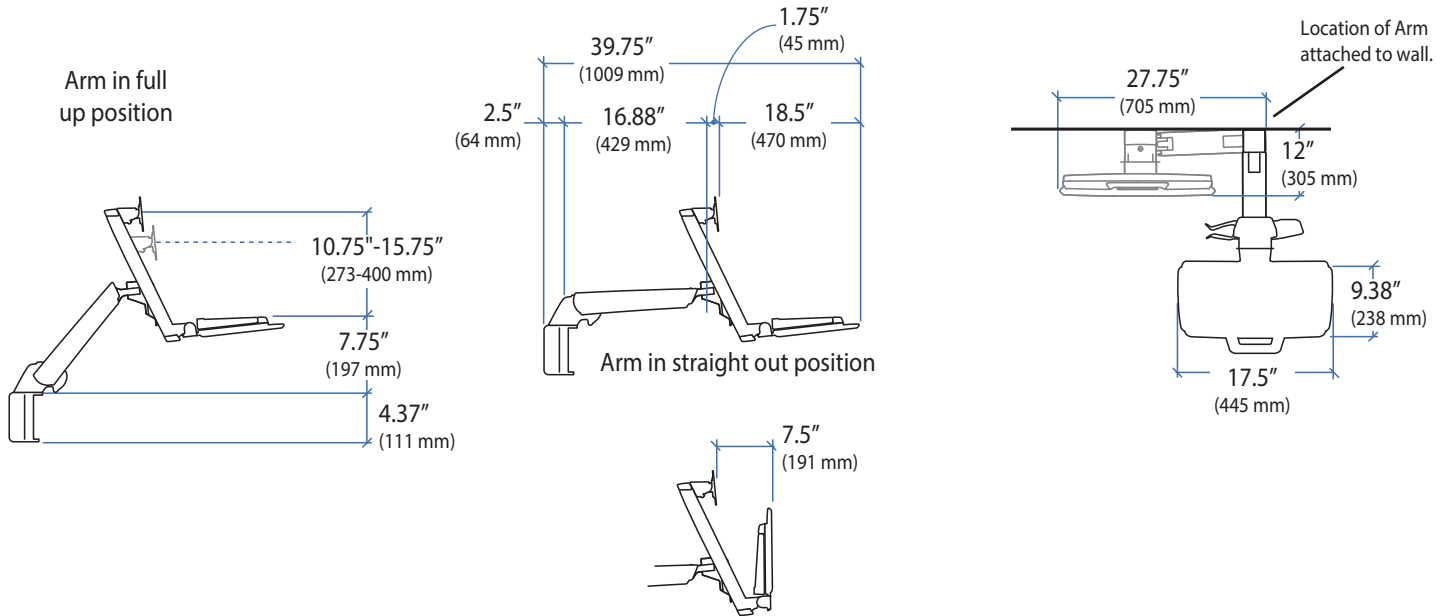


StyleView® Sit Stand Combo Arm

Dimensional & Range of Motion Illustrations



© 2012 Ergotron, Inc. rev. 01/07/2019 DIM-Combo Content is subject to change without notification

Americas Sales and Corporate Headquarters

St. Paul, MN USA
 (800) 888-8458
 +1-651-681-7600
 www.ergotron.com
 sales@ergotron.com

EMEA Sales

Amersfoort, The Netherlands
 +31 33 45 45 600
 www.ergotron.com
 info.eu@ergotron.com

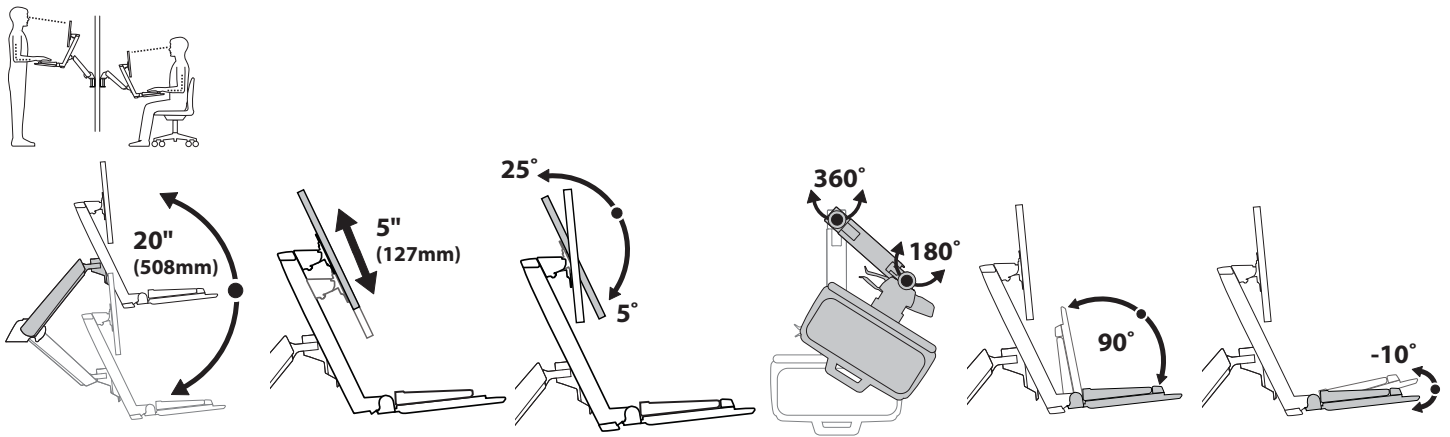
APAC Sales

Tokyo, Japan
 www.ergotron.com
 japansupport@ergotron.com

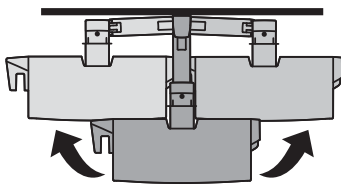
Worldwide OEM Sales

www.ergotron.com
 info.oem@ergotron.com

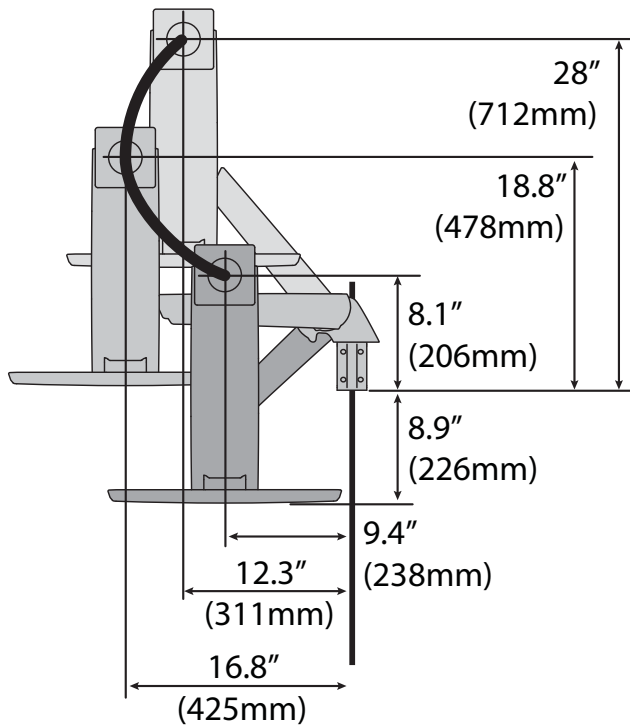
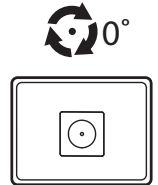




Top view showing range of motion when pulled out from the wall.



Portrait/Landscape rotation stop screw can be installed for 0° rotation.



Front view with arm pushed back against the wall.

© 2012 Ergotron, Inc. rev. 01/07/2019 DIM-Combo **Content is subject to change without notification**

Americas Sales and Corporate Headquarters

St. Paul, MN USA
 (800) 888-8458
 +1-651-681-7600
 www.ergotron.com
 sales@ergotron.com

EMEA Sales

Amersfoort, The Netherlands
 +31 33 45 45 600
 www.ergotron.com
 info.eu@ergotron.com

APAC Sales

Tokyo, Japan
 www.ergotron.com
 japansupport@ergotron.com

Worldwide OEM Sales

www.ergotron.com
 info.oem@ergotron.com

