

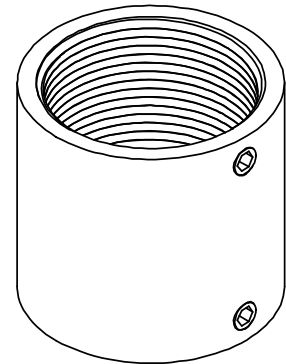
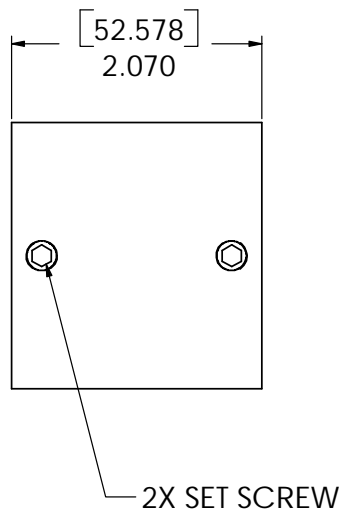
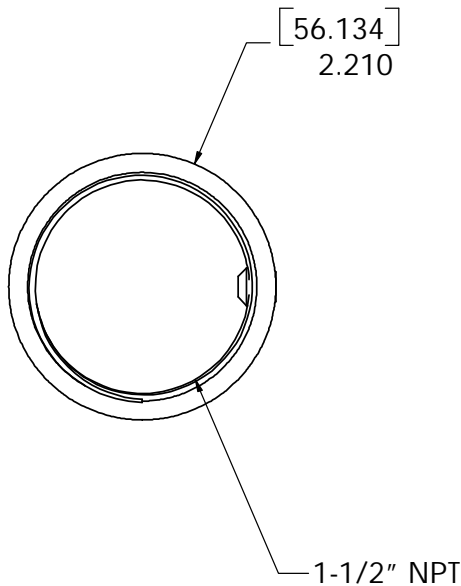
## CMA-270   THREADED PIPE COUPLER



Unpack carton and verify kit contents. If any listed parts are missing, immediately contact a Chief Customer Service representative by calling 1-800-582-6480.

**⚠ WARNING: EXCEEDING WEIGHT CAPACITY CAN LEAD TO PROJECTOR FALLING CAUSING SERIOUS PERSONAL INJURY AND DAMAGE TO EQUIPMENT!** It is the installer's responsibility to make sure the combined weight of all components located between this part (up to and including the display/projector) does not exceed 500 lbs (226.8 kg). **The capacity of this part may be LIMITED to the lowest rated capacity of any component located between this part and the supporting structure!**

- |                              |                                   |
|------------------------------|-----------------------------------|
| (1) Threaded Pipe Coupler    | (2) 5/16-18 x 1/4" Security Screw |
| (2) 5/16-18 x 3/8" Set Screw | (1) 5/32" Hex Wrench              |
|                              | (1) 5/32" Security Wrench         |



### Installation:

1. Thread standard 1½" NPT pipes into coupler, tightening securely.
2. Install 5/16" – 18 socket set screws and tighten them securely.

CSAV, Inc., and its affiliated corporations and subsidiaries (collectively, "CSAV"), intend to make this manual accurate and complete. However, CSAV makes no claim that the information contained herein covers all details, conditions or variations, nor does it provide for every possible contingency in connection with the installation or use of this product. The information contained in this document is subject to change without notice or obligation of any kind. CSAV makes no representation of warranty, expressed or implied, regarding the information contained herein. CSAV assumes no responsibility for accuracy, completeness or sufficiency of the information contained in this document.