

# INSTALLATION INSTRUCTIONS

## FLAT CEILING PLATE WITH ADJUSTABLE EXTENSION COLUMN

### CMA-100

The optional CMA-100 column tube and ceiling plate are designed for attachment to the Chief ceiling mounts. The CMA-100 provides vertical adjustments in 3/4" increments when the column tube is telescoped over the ceiling plate tube and bolted through at the desired height.

**WARNING: IMPROPER INSTALLATION MAY RESULT IN SERIOUS PERSONAL INJURY!**  
 All components must be securely fastened to a structural member capable of supporting five times the combined weight of all components plus the equipment being mounted. If it cannot support this weight, the structure **MUST** be reinforced.  
 The maximum weight to be installed on the column is 500 pounds (226.8 Kg).

Unpack and check contents:

- |                                 |                          |
|---------------------------------|--------------------------|
| (1) Column Tube                 | (2) 1/4 - 20 Nylock Nuts |
| (1) Ceiling Plate Tube          | (4) 1/4" Flatwashers     |
| (2) 1/4 - 20 x 2 1/2" Bolts     | (1) 5/32" Hex Wrench     |
| (4) 5/16 - 18 Socket Set Screws |                          |

#### INSTALLATION INSTRUCTIONS

1. Securely install the ceiling plate to the ceiling or ceiling joists (**NOTE: SEE WARNING!!**) Bolt hole spacing is shown on Figure 1.
2. Screw the column tube firmly into the ceiling mount collar.
3. Slide the column tube over the ceiling plate tube to the desired height and cross bolt with two 1/4" bolts, nuts and washers provided. Make sure nuts and screws are tightened firmly. Install the four 5/16 - 18 set screws into the holes offset from the cross bolts.
4. Follow the ceiling mount instructions for installation and adjustment of the projector.

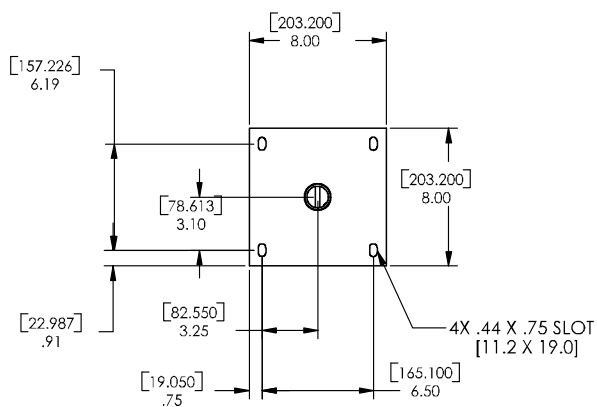
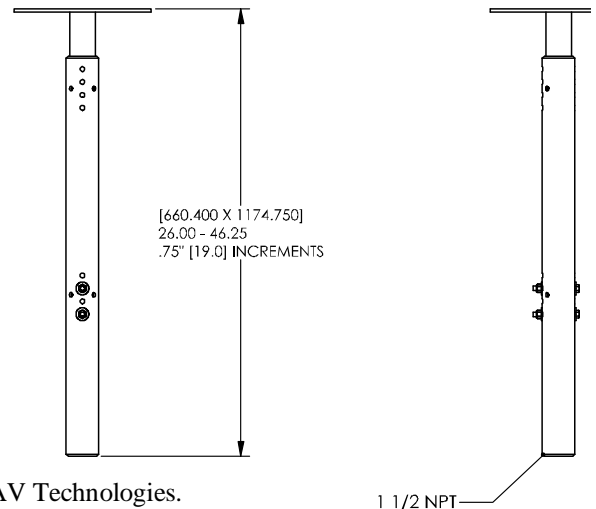


Figure 1



Chief® is a registered trademark of Milestone AV Technologies.  
 All rights reserved.



Our Mounts. Your Vision.

Chief Manufacturing, a products division of  
 Milestone AV Technologies  
 8401 Eagle Creek Parkway, Savage, MN 55378

8803-000009 RevB  
 ©2009 Milestone AV Technologies, a  
 Duchossois Group Company

[www.chiefmfg.com](http://www.chiefmfg.com)

• P: 800.582.6480 / 952.894.6280 • F: 877.894.6918 / 952.894.6918