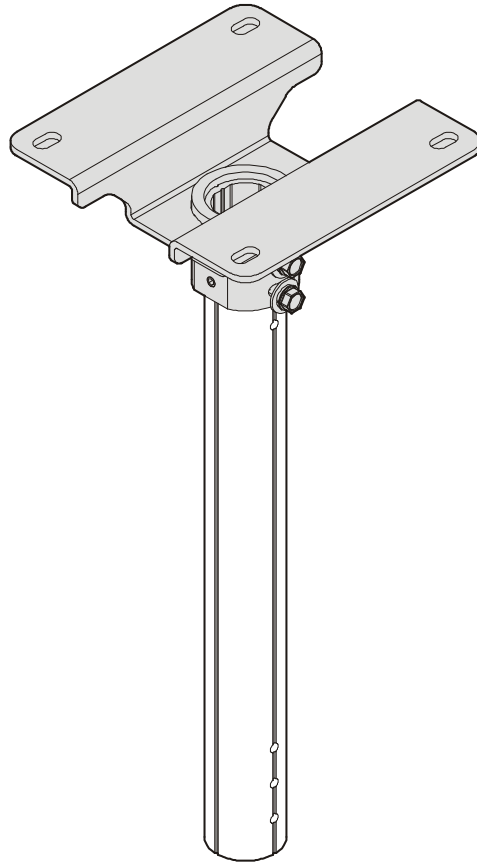


---

# INSTALLATION INSTRUCTIONS

---



---

**8" Off-Set Ceiling Plate**


---

## DISCLAIMER

Milestone AV Technologies and its affiliated corporations and subsidiaries (collectively "Milestone"), intend to make this manual accurate and complete. However, Milestone makes no claim that the information contained herein covers all details, conditions or variations, nor does it provide for every possible contingency in connection with the installation or use of this product. The information contained in this document is subject to change without notice or obligation of any kind. Milestone makes no representation of warranty, expressed or implied, regarding the information contained herein. Milestone assumes no responsibility for accuracy, completeness or sufficiency of the information contained in this document.

Chief® is a registered trademark of Milestone AV Technologies. All rights reserved.


## IMPORTANT SAFETY INSTRUCTIONS

 **WARNING:** A WARNING alerts you to the possibility of serious injury or death if you do not follow the instructions.


 **CAUTION:** A CAUTION alerts you to the possibility of damage or destruction of equipment if you do not follow the corresponding instructions.


 **WARNING:** Failure to read, thoroughly understand, and follow all instructions can result in serious personal injury, damage to equipment, or voiding of factory warranty! It is the installer's responsibility to make sure all components are properly assembled and installed using the instructions provided.


 **WARNING:** Failure to provide adequate structural strength for this component can result in serious personal injury or damage to equipment! It is the installer's responsibility to make sure the structure to which this component is attached can support five times the combined weight of all equipment. Reinforce the structure as required before installing the component.

 **WARNING:** Exceeding the weight capacity can result in serious personal injury or damage to equipment! It is the installer's responsibility to make sure the combined weight of all components located within the mounting system of the CPA330 does not exceed 500 lbs (226.8 kg).

- The weight capacity of the CPA330 may be LIMITED to the lowest weight capacity of any other component or accessory used within the mounting system.

 **WARNING:** Use this mounting system only for its intended use as described in these instructions. Do not use attachments not recommended by the manufacturer.


 **WARNING:** Never operate this mounting system if it is damaged. Return the mounting system to a service center for examination and repair.

 **WARNING:** Do not use this product outdoors.

**NOTE:** Accessory is intended to be used with the UL Listed CPA Extension Column Series (not included).

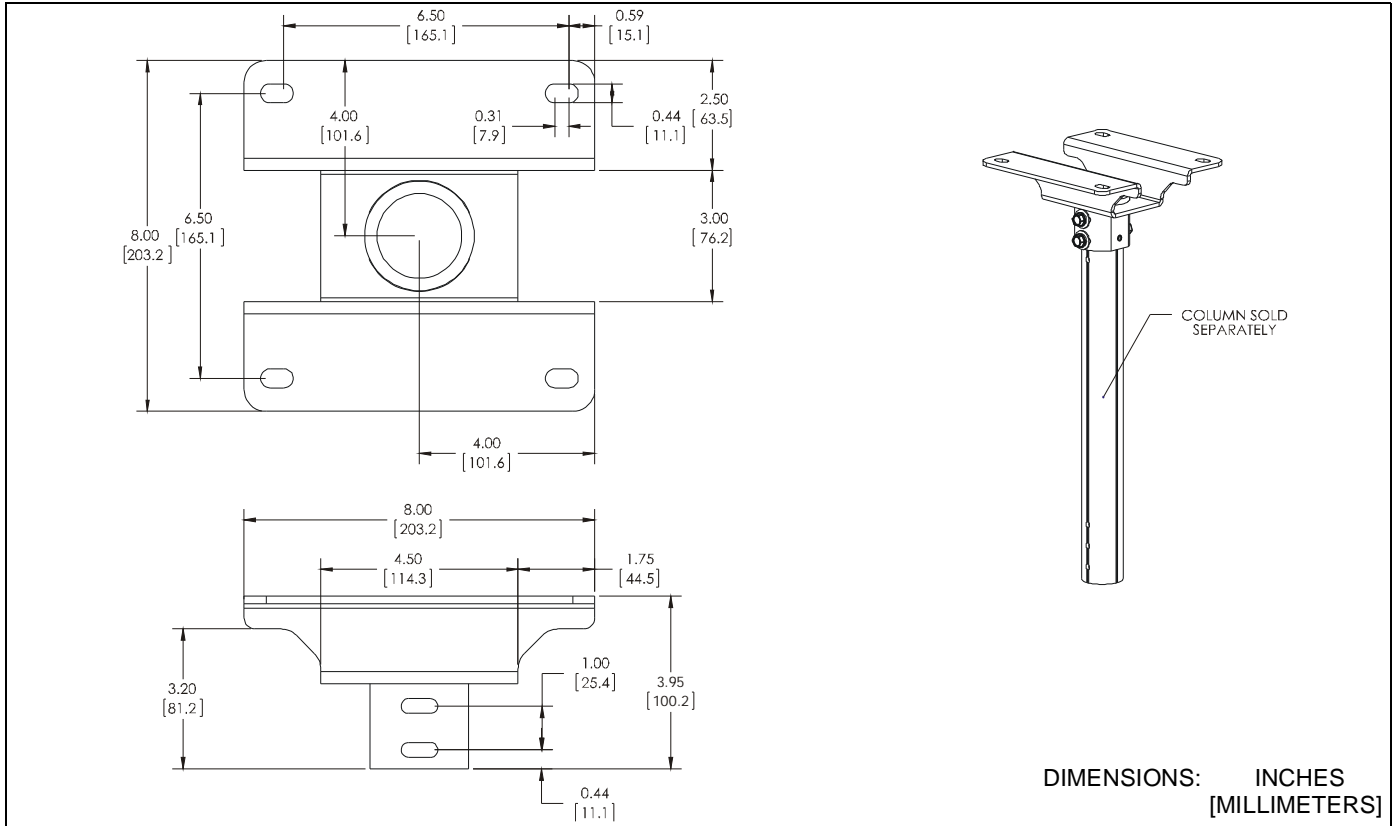
**IMPORTANT ! :** These CPA mounts are designed to be:

- mounted to a 2" x 6" wood framework ceiling;
- mounted to an 8" concrete ceiling;
- mounted to a suspended metal framing channel ceiling.

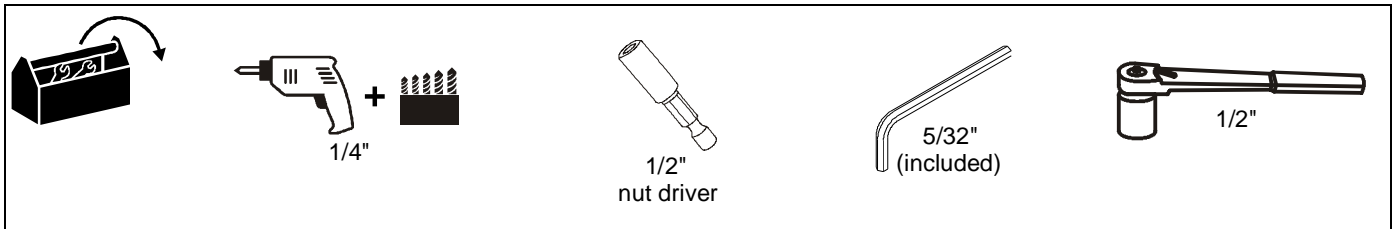
 **WARNING:** Do NOT attach to vertical mounting surfaces such as walls or angled ceilings!

**--SAVE THESE INSTRUCTIONS--**

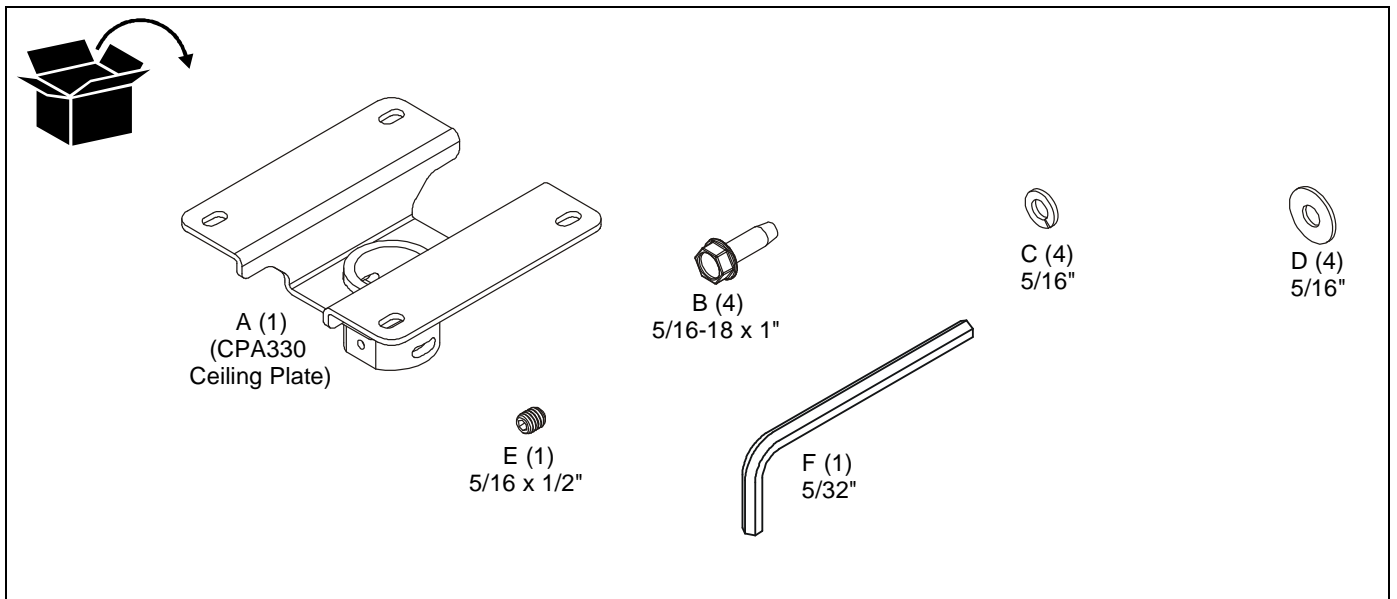
**DIMENSIONS**





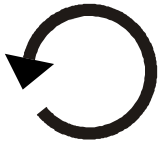





**TOOLS REQUIRED FOR INSTALLATION**



**PARTS**



**LEGEND**

	<b>Tighten Fastener</b> Apretar elemento de fijación Befestigungsteil festziehen Apertar fixador Serrare il fissaggio Bevestiging vastdraaien Serrez les fixations		<b>Pencil Mark</b> Marcar con lápiz Stiftmarkierung Marcar com lápis Segno a matita Potloodmerkteken Marquage au crayon
	<b>Loosen Fastener</b> Aflojar elemento de fijación Befestigungsteil lösen Desapertar fixador Allentare il fissaggio Bevestiging losdraaien Desserrez les fixations		<b>Drill Hole</b> Perforar Bohrloch Fazer furo Praticare un foro Gat boren Percez un trou
	<b>By Hand</b> A mano Von Hand Com a mão A mano Met de hand À la main		<b>Optional</b> Opcional Optional Opcional Opzionale Optie En option
	<b>Hex-Head Wrench</b> Llave de cabeza hexagonal Sechskantschlüssel Chave de cabeça sextavada Chiave esagonale Zeskantsleutel Clé à tête hexagonale		<b>Socket Wrench</b> Llave de cubo Steckschlüssel Chave de caixa Chiave a brugola Dopsleutel Clé à douilles

## INSTALLATION

These CPA mounts are designed for attachment to a 2" x 6" wood framework ceiling, a concrete ceiling or a suspended metal framing channel ceiling, and provides vertical adjustments in 1" increments.



**WARNING:** Do NOT attach to vertical mounting surfaces such as walls or angled ceilings!



**WARNING:** IMPROPER INSTALLATION CAN LEAD TO LIFT FALLING CAUSING SEVERE PERSONAL INJURY OR DAMAGE TO EQUIPMENT! It is the installer's responsibility to make certain the structure to which the mount is being attached is capable of supporting five times the weight of the CPA mount and all attached equipment. Reinforce the structure as required before installing the mount.

**NOTE:** The following instructions assume a suitable mounting structure and surface exists prior to installation.

### Installing to a Wood Framework (Joists)

**IMPORTANT ! :** The CPA330 is designed to be mounted to double 2" x 4" wood stud cross bracing (6-1/2" on center) between two ceiling joists.

- Using ceiling plate (A) as a template, mark locations of four pilot holes (See Figure 1). Ensure the marks are in the center of wood joists.

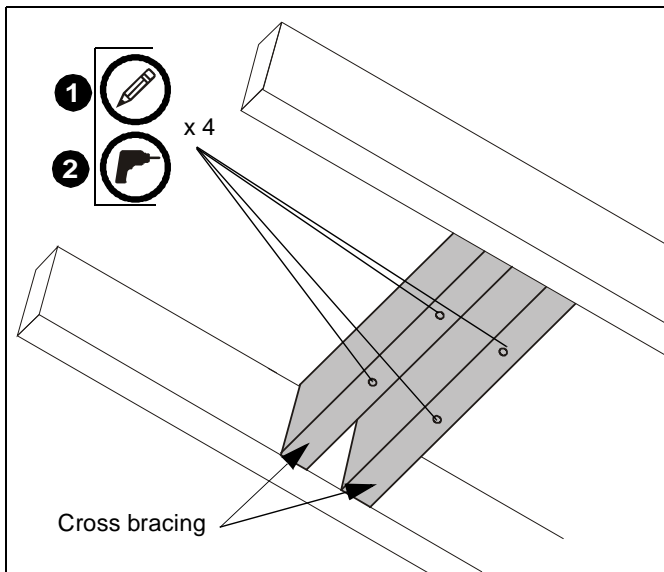


Figure 1

- Drill 1/4" diameter pilot holes into wood stud cross bracing. (See Figure 1) Ensure pilot holes are straight.
- Install and tighten four 3/8" x 2-1/2" (minimum) Grade 2 lag screws (not included) through CPA330 (A), into wood stud cross bracing. (See Figure 2) (See Figure 3) for dimensions details.

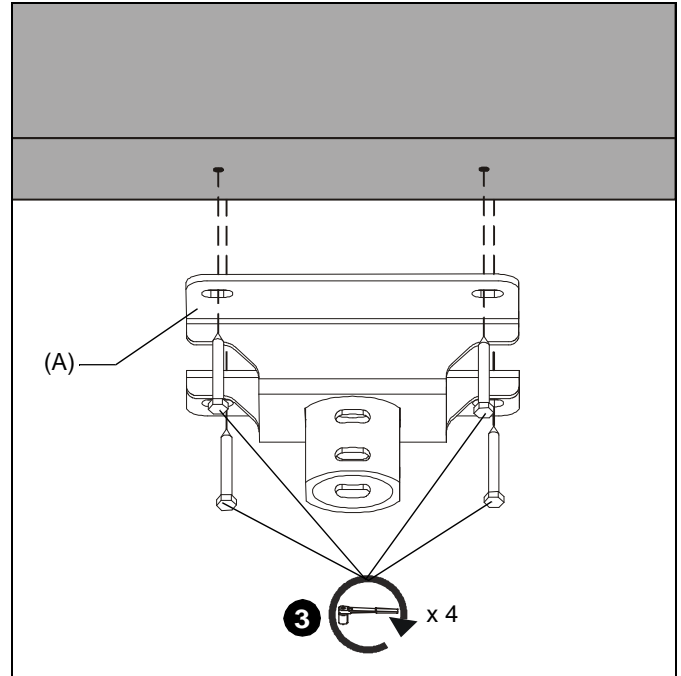


Figure 2

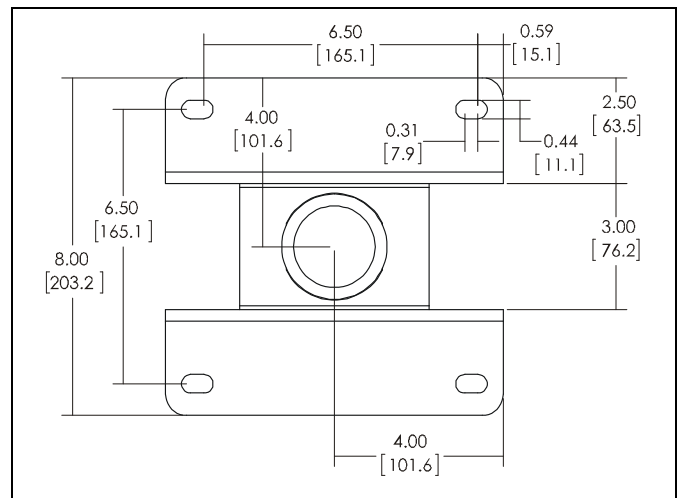


Figure 3

### Installing to a Suspended Ceiling

**NOTE:** The CPA mount may be suspended from four 3/8 in. diameter ASTM A307 or better threaded rods (not provided) which are secured to a 1-5/8" x 1-5/8" 12ga metal framing strut channel (spanning a maximum of 4 feet--not provided) by ASTM A307 or better 3/8" channel nuts (not provided). Threaded rods must have 16 threads per square inch.

- Insert the rods into the four bolt holes in the CPA mount.
- Secure the threaded rods to the CPA mount with ASTM A307 or better 3/8" jam nuts (not provided) and washers (one of each on inside and one of each on outside--not provided). (See Figure 3) for dimensions details.

## Installing to a Solid Concrete Ceiling Structure



**WARNING:** The CPA330 is designed to be mounted to a concrete ceiling with a minimum thickness of 8".



**WARNING:** Fischer UX10 anchors (not provided) must be installed into structurally sound solid concrete. Installation into hollow concrete block, mortar, or concrete that exhibits cracking, spalling, or other defects may result in failure of anchor and serious personal injury or damage to equipment.

1. Use four UX10 anchors (not provided) to secure CPA mount into solid concrete ceiling. (See Figure 3) for dimensions details.
2. Place CPA mount over anchors, aligning bolt holes in CPA mount with installed anchors.
3. Secure CPA mount to ceiling using four 3/8" Grade 2 flat washers (not provided) and four 3/8" x 2 1/2" Grade 2 bolts (not provided) tightened over anchors.

## Installing Extension Column

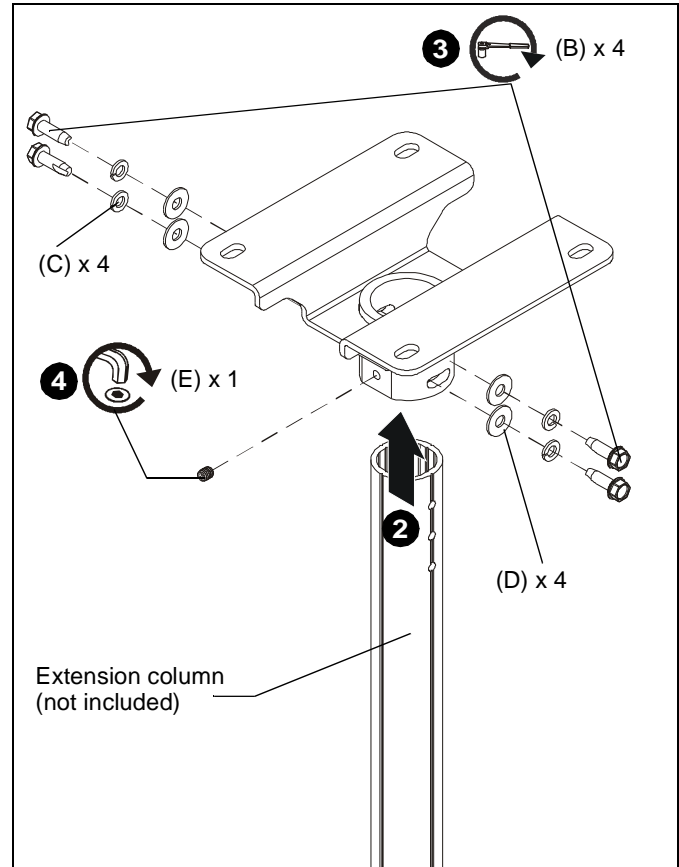


**WARNING:** Exceeding the weight capacity can result in serious personal injury or damage to equipment! It is the installer's responsibility to make sure the combined weight of all components located within the mounting system of the CPA330 does not exceed 500 lbs (226.8 kg).

1. Route cables through extension column (not included).
2. Install UL Listed CPA Extension Column Series (not included) into CPA330.

**NOTE:** Installation of hex head self-tapping screws will be easier when screws are carefully aligned with holes in extension column, and a drill and nut driver is used. If a drill will NOT be used, a small amount of pressure will be needed to get the self-tapping screws started.

3. Secure extension column to CPA330 using four 5/16-18 x 1" hex head self-tapping screws (B), four 5/16" split lock washers (C) and four 5/16" flat washers (D) through holes in extension column. (See Figure 4)
4. Install one 5/16" x 1/2" set screw (E) into threaded hole, tightening firmly against column.



**Figure 4**

5. Complete installation following mount installation instructions.





Our Mounts. **Your Vision.**

Chief Manufacturing, a products division  
of Milestone AV Technologies

8800-002252 Rev00  
©2012 Milestone AV Technologies, a  
Duchossois Group Company  
[www.chiefmfg.com](http://www.chiefmfg.com)  
11/12

<b>USA/International</b>	<b>A</b> 6436 City West Parkway, Eden Prairie, MN 55344 <b>P</b> 800.582.6480 / 952.225.6000 <b>F</b> 877.894.6918 / 952.894.6918
<b>Europe</b>	<b>A</b> Franklinstraat 14, 6003 DK Weert, Netherlands <b>P</b> +31 (0) 495 580 852 <b>F</b> +31 (0) 495 580 845
<b>Asia Pacific</b>	<b>A</b> Office No. 1 on 12/F, Shatin Galleria 18-24 Shan Mei Street Fotan, Shatin, Hong Kong <b>P</b> 852 2145 4099 <b>F</b> 852 2145 4477

