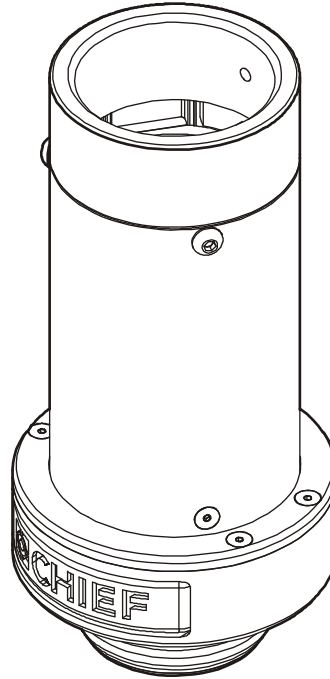

INSTALLATION INSTRUCTIONS



3" Micro Height Adjust Accessory

DISCLAIMER

Milestone AV Technologies, Inc., and its affiliated corporations and subsidiaries (collectively, "Milestone"), intend to make this manual accurate and complete. However, Milestone makes no claim that the information contained herein covers all details, conditions or variations, nor does it provide for every possible contingency in connection with the installation or use of this product. The information contained in this document is subject to change without notice or obligation of any kind. Milestone makes no representation of warranty, expressed or implied, regarding the information contained herein. Milestone assumes no responsibility for accuracy, completeness or sufficiency of the information contained in this document.

Chief® is a registered trademark of Milestone AV Technologies. All rights reserved.



WARNING: Failure to read, thoroughly understand, and follow all instructions can result in serious personal injury, damage to equipment, or voiding of factory warranty! It is the installer's responsibility to make sure all components are properly assembled and installed using the instructions provided.



WARNING: Exceeding the weight capacity can result in serious personal injury or damage to equipment! It is the installer's responsibility to make sure the combined weight of all components attached to the CMSH3 does not exceed 25 lbs (11.34 kg).

- The weight capacity of the CMSH3 may be LIMITED to the lowest weight capacity of any other components located between the CMSH3 and the supporting structure!



IMPORTANT WARNINGS AND CAUTIONS!

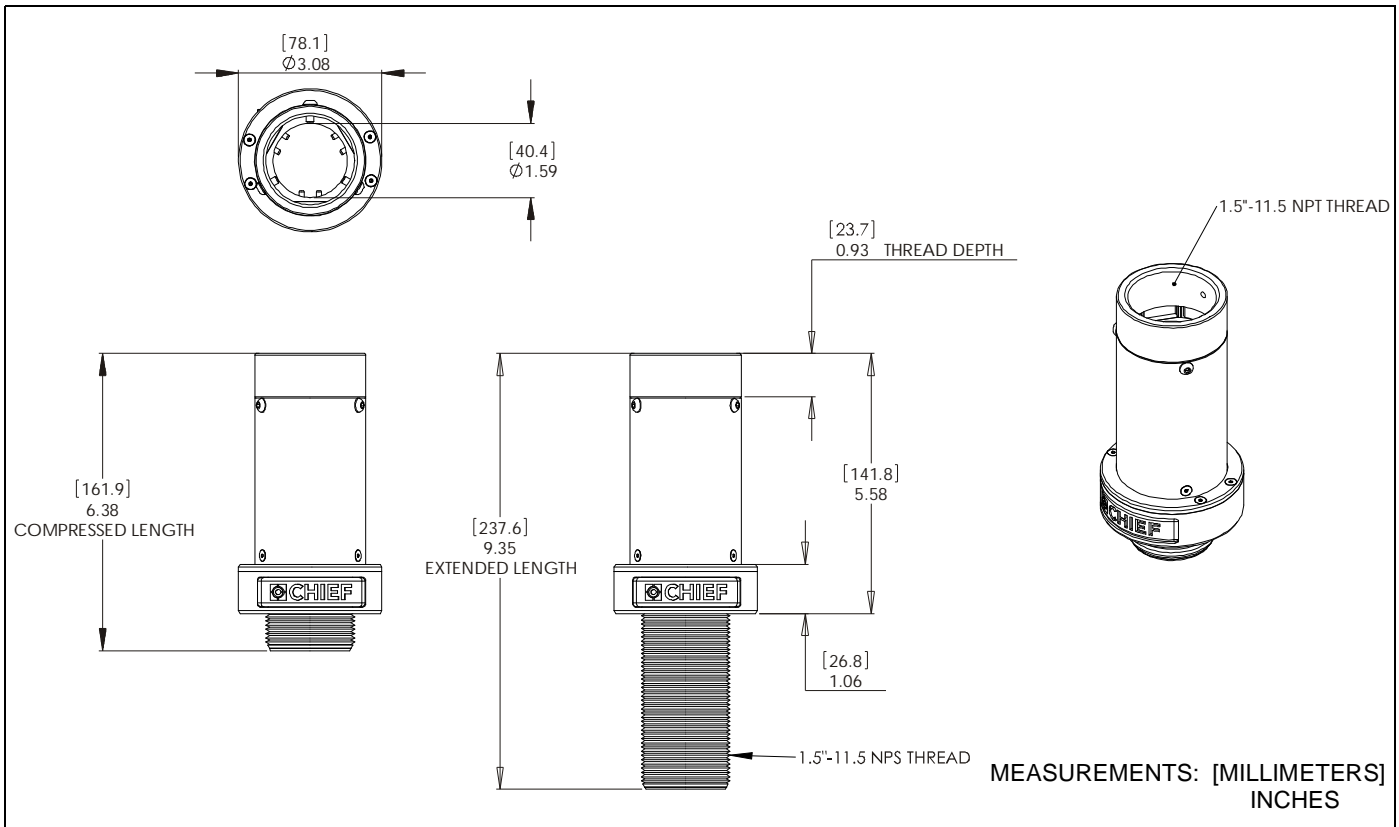


WARNING: A WARNING alerts you to the possibility of serious injury or death if you do not follow the instructions.

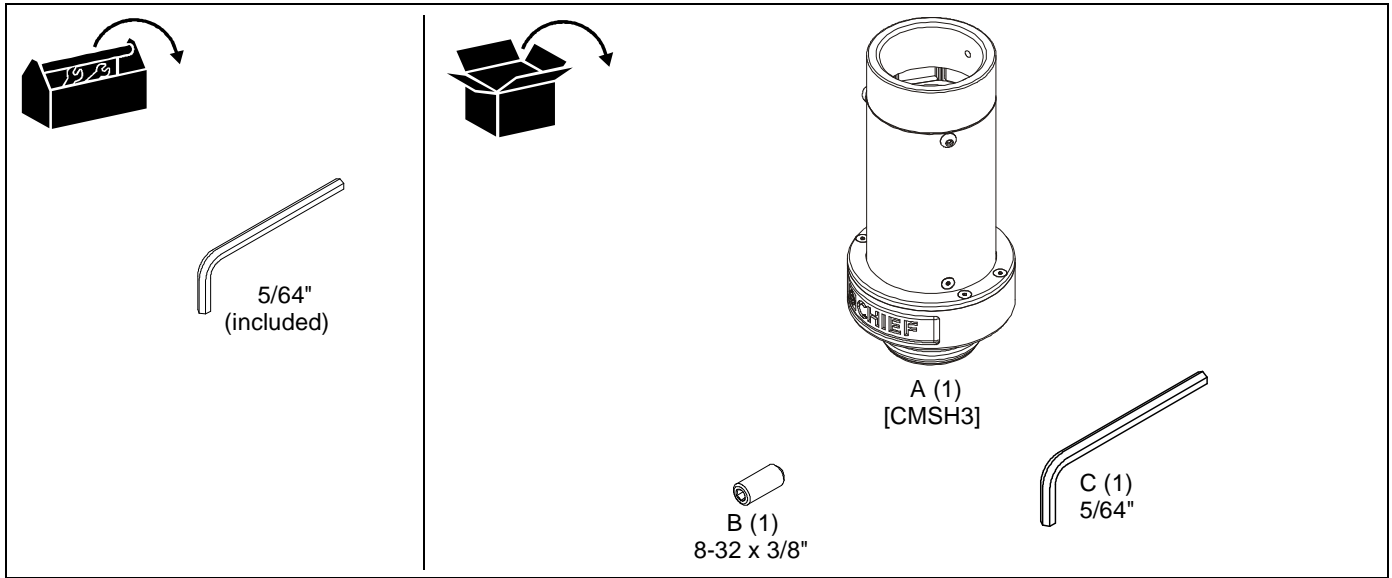


CAUTION: A CAUTION alerts you to the possibility of damage or destruction of equipment if you do not follow the corresponding instructions.

DIMENSIONS



TOOLS REQUIRED / PARTS PROVIDED



ATTACHING CMSH3 TO CEILING PIPE

1. Thread CMSH3 (A) onto ceiling pipe until hand tight. (See Figure 1)

2. Secure CMSH3 to ceiling pipe using 5/64" hex key (C) and #8-32 x 3/8" set screw (B). (See Figure 1)

MOUNTING PROJECTOR MOUNT TO CMSH3

1. Press quick-release button to lower interior pipe to desired mounting height. (See Figure 2)
2. Tighten locking set screw with 5/64" hex key (C) to lock mount in its current position. (See Figure 2)

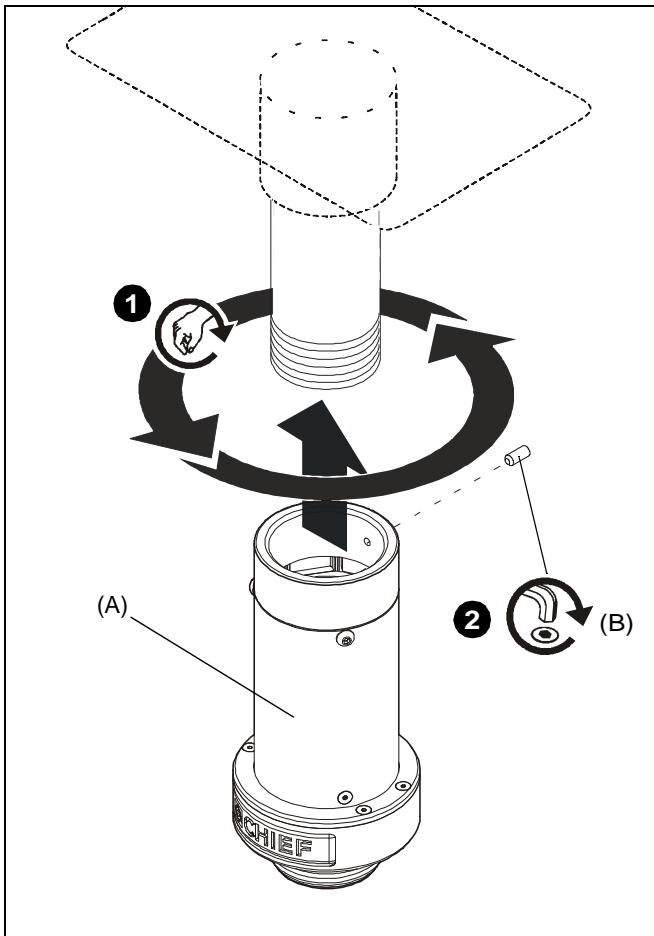


Figure 1

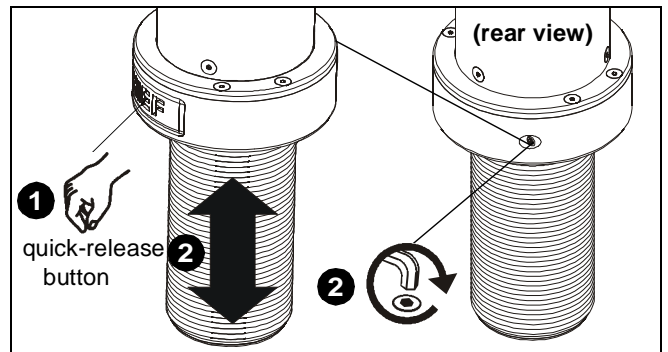


Figure 2

NOTE: Micro height adjustment is still possible with set screw tightened, but the set screw must be loosened in order to adjust height with the quick release button. See Adjustments section for details.

3. Thread projector mount onto interior pipe by rotating until hand tight. (See Figure 3)

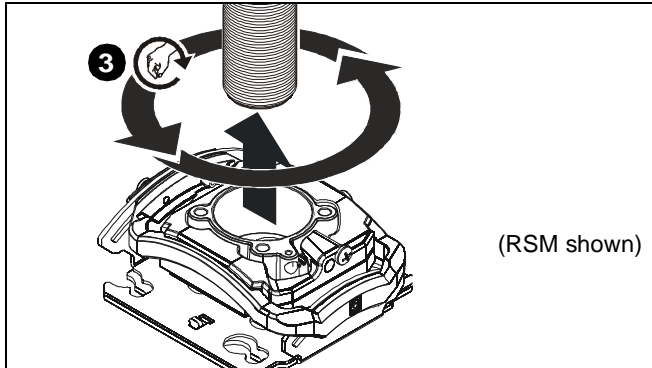


Figure 3

4. Complete installation following projector mount installation instructions.

ADJUSTMENTS

Micro Height Adjustment

1. Rotate micro adjustment collar to raise or lower projector mount as desired. (See Figure 4)

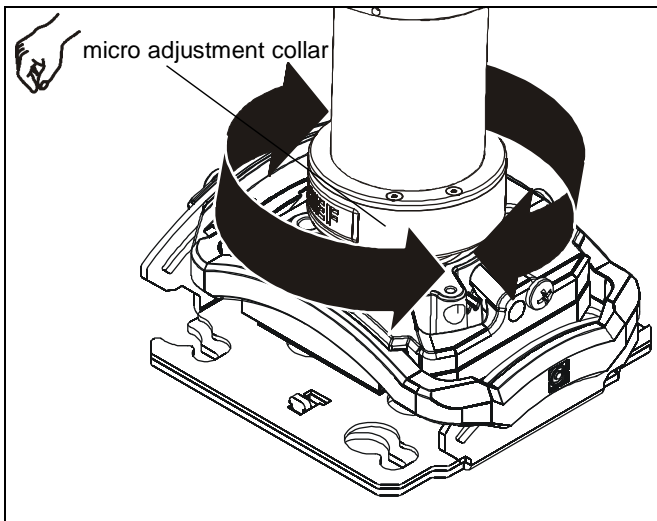


Figure 4

Quick-release Button Height Adjustment

1. Loosen locking set screw with 5/64" hex key (C) to release quick-release button adjustment mechanism. (See Figure 5)
2. Press quick-release button and adjust height to desired level. (See Figure 5)
3. Tighten locking set screw with 5/64" hex key (C) to lock mount in its current position. (See Figure 5)

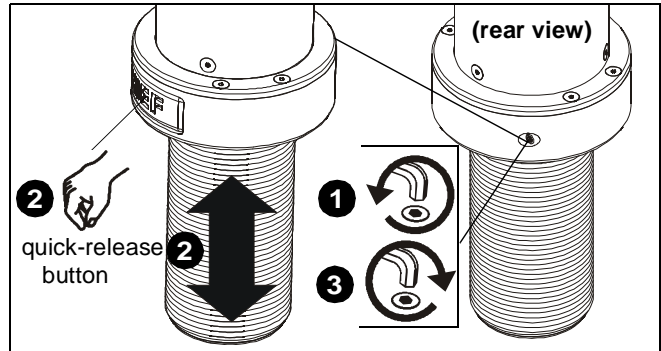


Figure 5



Our Mounts. **Your Vision.**

Chief Manufacturing, a products division
of Milestone AV Technologies

8800-002062 Rev00
©2010 Milestone AV Technologies, a
Duchossois Group Company
www.chiefmfg.com
11/10

USA/International	A 8401 Eagle Creek Parkway, Savage, MN 55378 P 800.582.6480 / 952.894.6280 F 877.894.6918 / 952.894.6918
Europe	A Fellenoord 130 5611 ZB EINDHOVEN, The Netherlands P +31 (0)40 2668620 F +31 (0)40 2668615
Asia Pacific	A Office No. 1 on 12/F, Shatin Galleria 18-24 Shan Mei Street Fotan, Shatin, Hong Kong P 852 2145 4099 F 852 2145 4477

