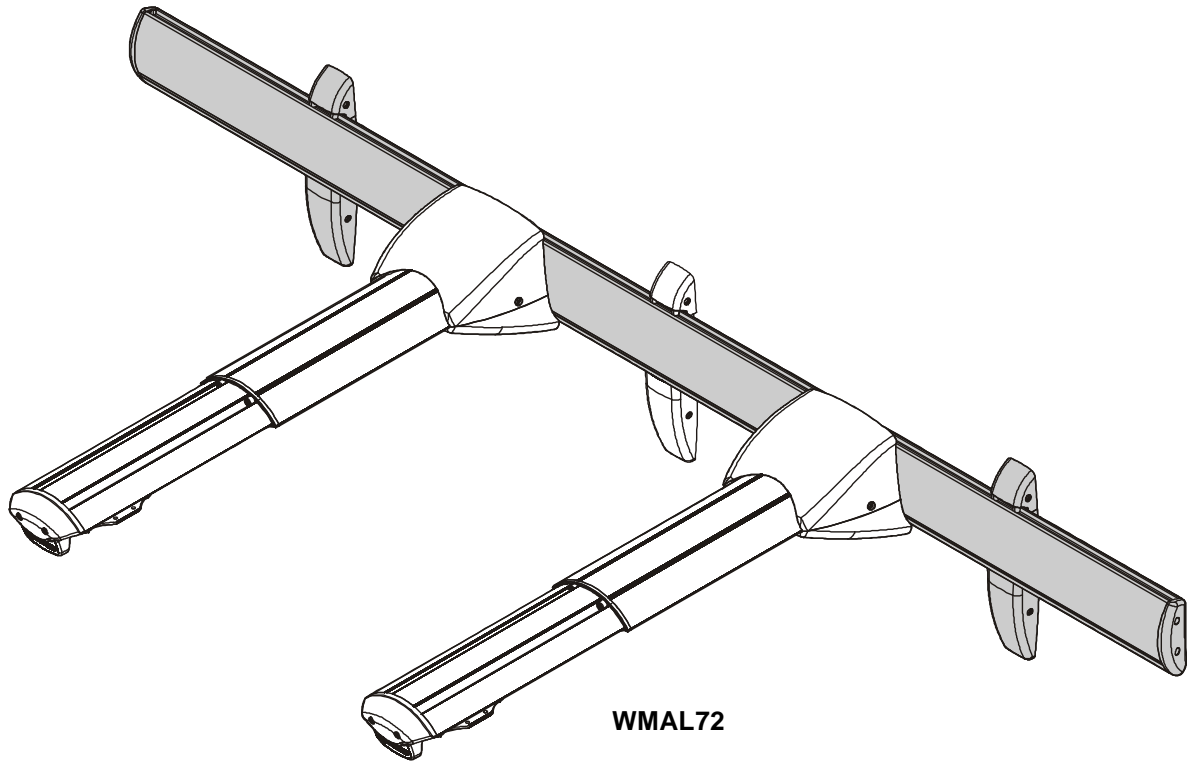


---

# INSTALLATION INSTRUCTIONS

---



---

## 72"/106" Accessories for Short Throw Mounts


---


## DISCLAIMER


Milestone AV Technologies and its affiliated corporations and subsidiaries (collectively "Milestone"), intend to make this manual accurate and complete. However, Milestone makes no claim that the information contained herein covers all details, conditions or variations, nor does it provide for every possible contingency in connection with the installation or use of this product. The information contained in this document is subject to change without notice or obligation of any kind. Milestone makes no representation of warranty, expressed or implied, regarding the information contained herein. Milestone assumes no responsibility for accuracy, completeness or sufficiency of the information contained in this document.


Chief® is a registered trademark of Milestone AV Technologies. All rights reserved.


## IMPORTANT SAFETY INSTRUCTIONS

 **WARNING:** A WARNING alerts you to the possibility of serious injury or death if you do not follow the instructions.


 **CAUTION:** A CAUTION alerts you to the possibility of damage or destruction of equipment if you do not follow the corresponding instructions.


 **WARNING:** Failure to read, thoroughly understand, and follow all instructions can result in serious personal injury, damage to equipment, or voiding of factory warranty! It is the installer's responsibility to make sure all components are properly assembled and installed using the instructions provided.


 **WARNING:** Failure to provide adequate structural strength for this component can result in serious personal injury or damage to equipment! It is the installer's responsibility to make sure the structure to which this component is attached can support five times the combined weight of all equipment. Reinforce the structure as required before installing the component. The wall to which the mount is being attached may have a maximum drywall thickness of 5/8" (1.6cm). Do not install drywall anchors into the seam between drywall pieces.

 **WARNING:** Exceeding the weight capacity can result in serious personal injury or damage to equipment! It is the installer's responsibility to make sure the combined weight of all components attached to the product does not exceed:

- **50 lbs (22.7 kg)** for the WMAL72;
- **100 lbs (45.4 kg)** for the WMAL106.

 **WARNING:** Use this mounting system only for its intended use as described in these instructions. Do not use attachments not recommended by the manufacturer.

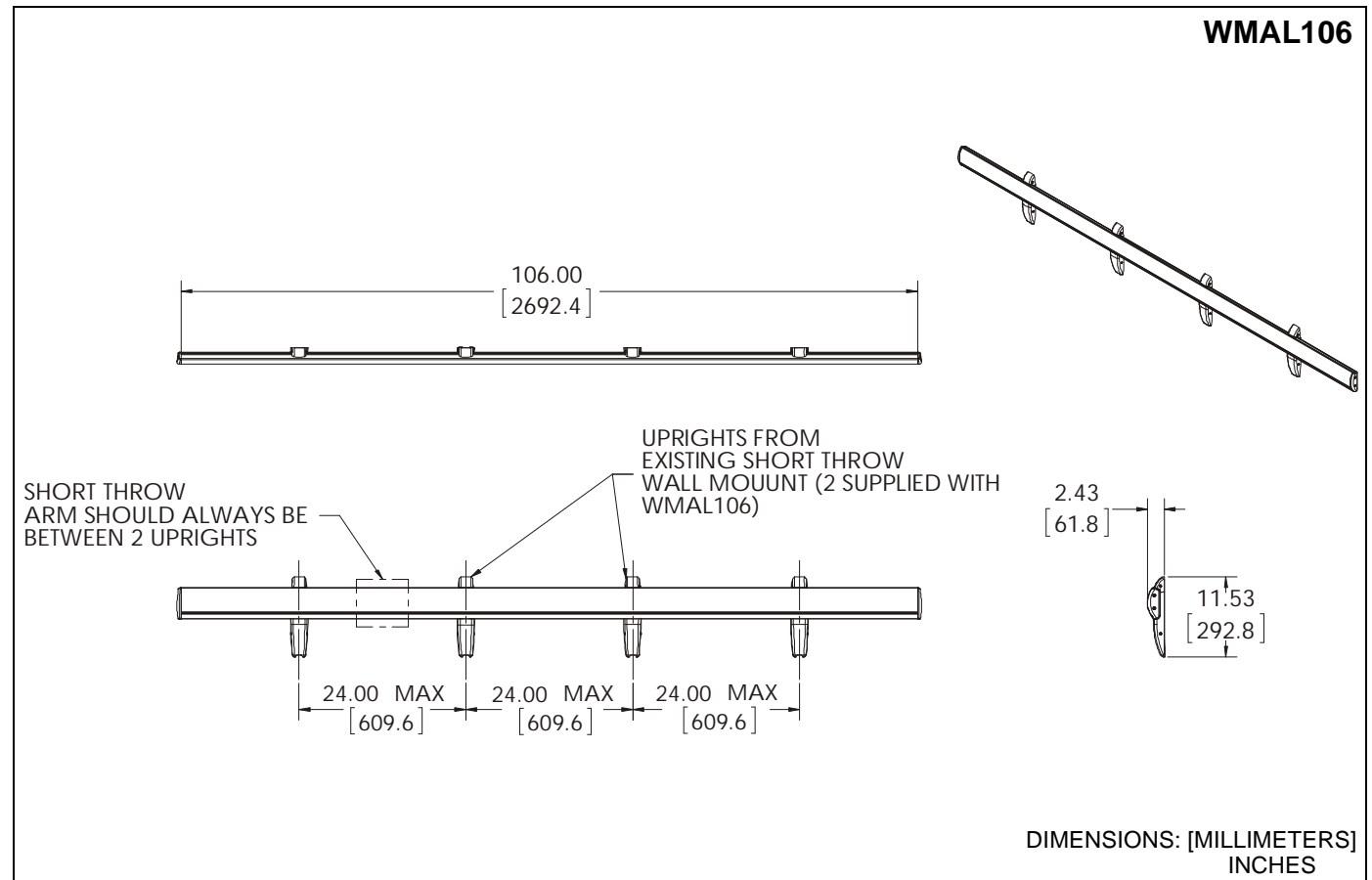
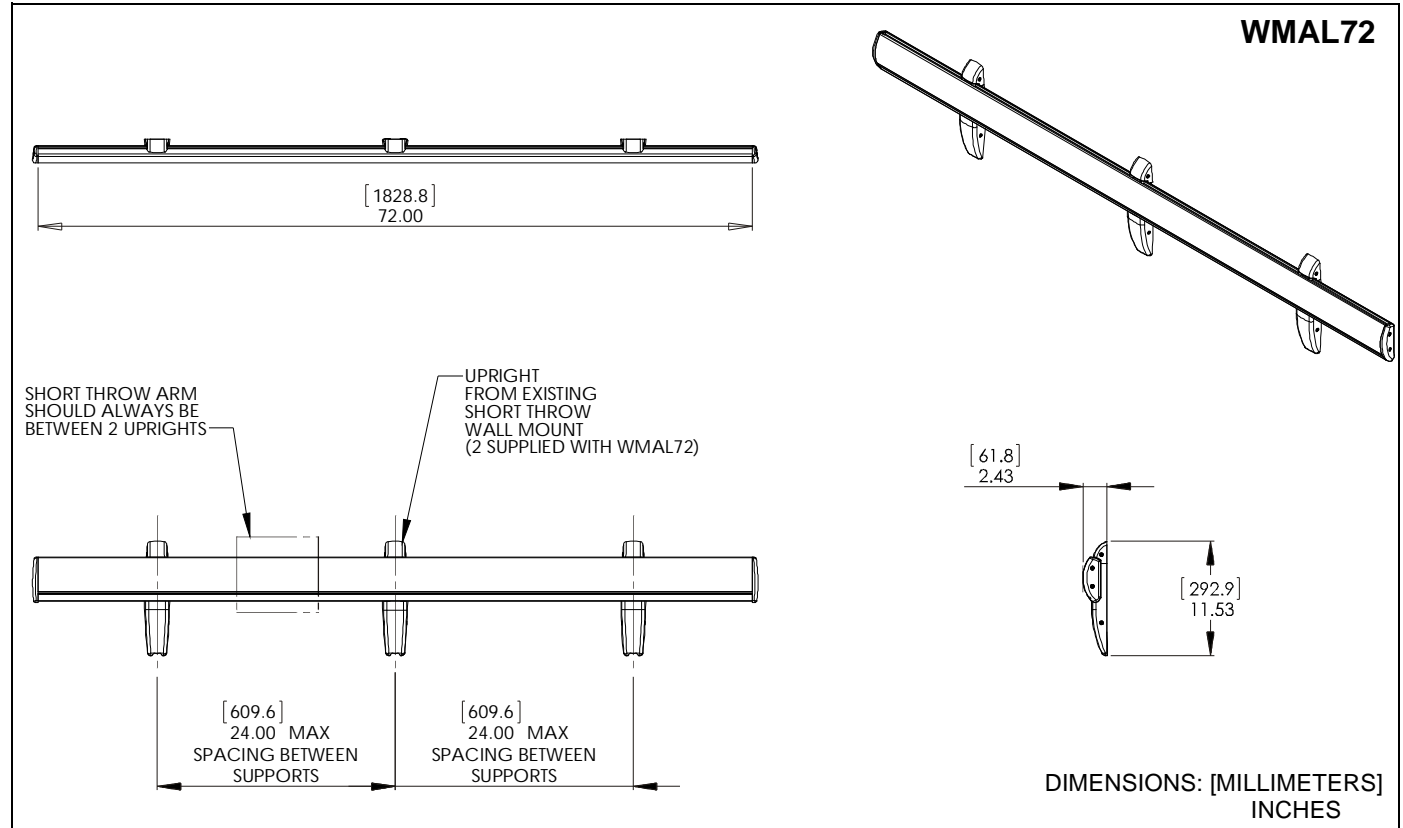
 **WARNING:** Never operate this mounting system if it is damaged. Return the mounting system to a service center for examination and repair.

 **WARNING:** Do not use this product outdoors.



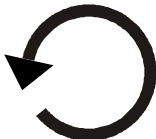





**IMPORTANT ! :** The WMAL72 and WMAL106 mounts are designed to be mounted to an 8" concrete, 8"x8"x16" concrete block, 2" x 4" wood studs (16" on center), or 2" x 4"-25ga minimum steel studs wall.

**--SAVE THESE INSTRUCTIONS--**

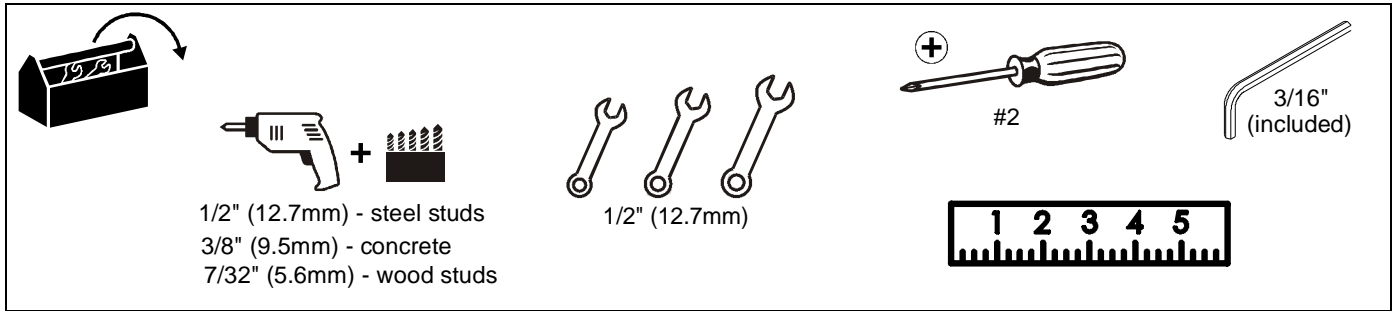
**DIMENSIONS**



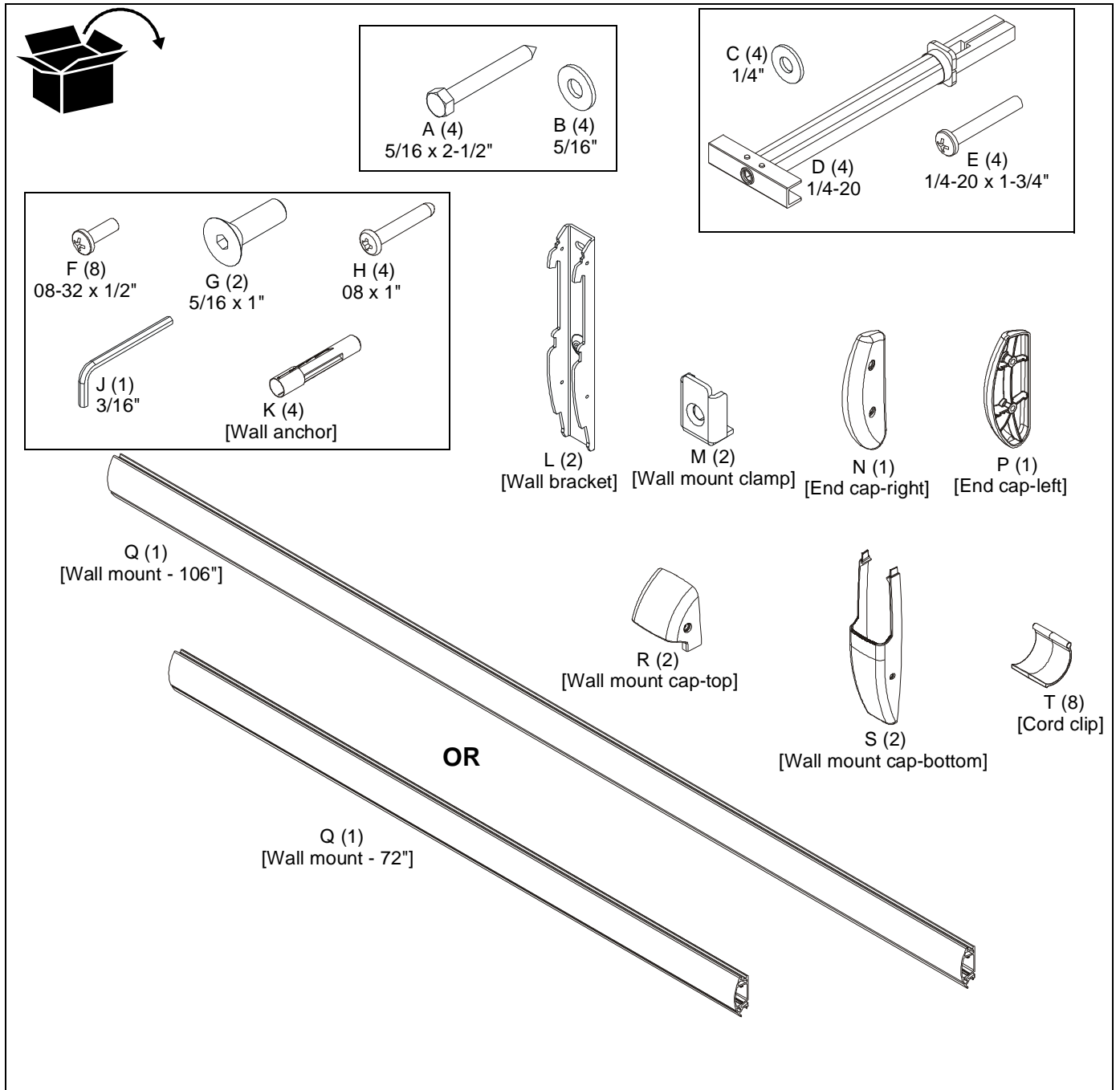
**LEGEND**

	<b>Tighten Fastener</b> Apretar elemento de fijación Befestigungsteil festziehen Apertar fixador Serrare il fissaggio Bevestiging vastdraaien Serrez les fixations		<b>Pencil Mark</b> Marcar con lápiz Stiftmarkierung Marcar com lápis Segno a matita Potloodmerkteken Marquage au crayon
	<b>Loosen Fastener</b> Aflojar elemento de fijación Befestigungsteil lösen Desapertar fixador Allentare il fissaggio Bevestiging losdraaien Desserrez les fixations		<b>Drill Hole</b> Perforar Bohrloch Fazer furo Praticare un foro Gat boren Percez un trou
	<b>Phillips Screwdriver</b> Destornillador Phillips Kreuzschlitzschraubendreher Chave de fendas Phillips Cacciavite a stella Kruiskopschroevendraaier Tournevis à pointe cruciforme		<b>By Hand</b> A mano Von Hand Com a mão A mano Met de hand À la main
	<b>Open-Ended Wrench</b> Llave de boca Gabelschlüssel Chave de bocas Chiave a punte aperte Steeksleutel Clé à fourche		<b>Hex-Head Wrench</b> Llave de cabeza hexagonal Sechskantschlüssel Chave de cabeça sextavada Chiave esagonale Zeskantsleutel Clé à tête hexagonale

**TOOLS REQUIRED FOR INSTALLATION**

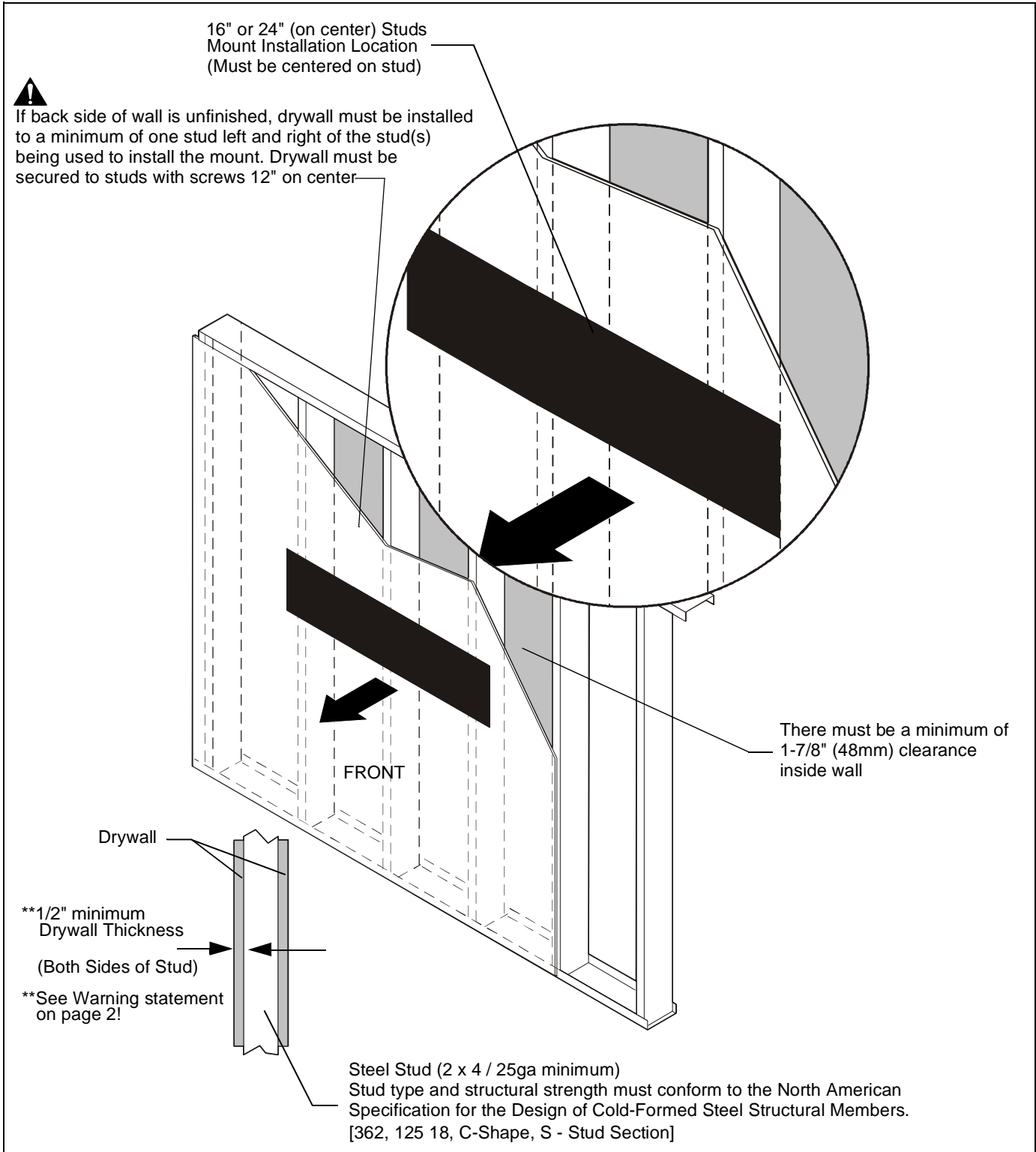


**PARTS**



### Site Requirements for Steel Stud Installation

**⚠ WARNING:** IMPROPER INSTALLATION CAN LEAD TO EQUIPMENT FALLING CAUSING SERIOUS PERSONAL INJURY OR DAMAGE TO EQUIPMENT! The figure below identifies the minimum requirements for installation of mounts onto a steel stud structure. If the structure or its components do not meet these requirements contact the mount manufacturer for specific instructions before attempting installation. It should also be noted that no other equipment should be mounted to the same stud.



## INSTALLATION

The WMAL72 or WMAL106 may be mounted to concrete, concrete block, 2" x 4" wood studs or steel studs. It can be mounted to studs a minimum of 16" apart, and a maximum of 24" apart.



**CAUTION:** Short throw arm **MUST** always be located between two wall brackets, and **NOT** at the end of the WMAL72 or WMAL106!

### Mounting Wall Bracket

1. Remove **AND SAVE** two flat head cap screws and clamps from existing dual stud short throw projector wall brackets. (See Figure 1)

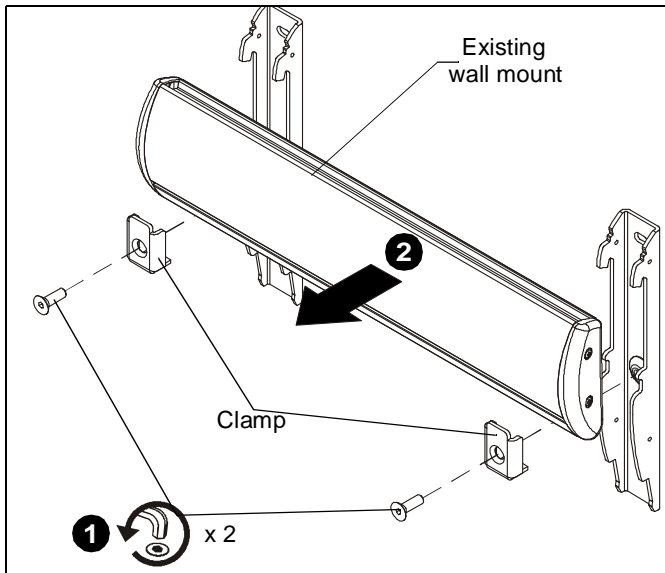


Figure 1

2. Remove existing wall mount from vertical wall brackets. (See Figure 1)
3. Proceed to either **Installing to Concrete or Concrete Block**, **Installing to Wood Studs**, or **Installing to Steel Studs** sections.

### Installing to Concrete or Concrete Block

**NOTE:** The wall brackets must be placed a minimum of 16" apart and a maximum of 24" apart.

- **WMAL72:** Use one of the wall brackets from the existing wall mount.
  - **WMAL106:** Use both of the wall brackets from the existing wall mount.
4. Determine mounting location on either side of existing wall bracket.
  5. Using wall bracket (L) as a template, mark two holes at holes in bracket. (See Figure 2)
  6. Using a level, mark holes for second wall bracket (L) on opposite side of existing wall bracket. (See Figure 2)
  7. Drill 3/8" holes at marked locations in wall. (See Figure 2)

8. Install four concrete anchors (K) into drilled holes. (See Figure 2)
9. Install four 5/16 x 2-1/2" hex head lag screws (A) through four 5/16" washers (B), holes of wall bracket (L) and into concrete anchors (K). (See Figure 2)

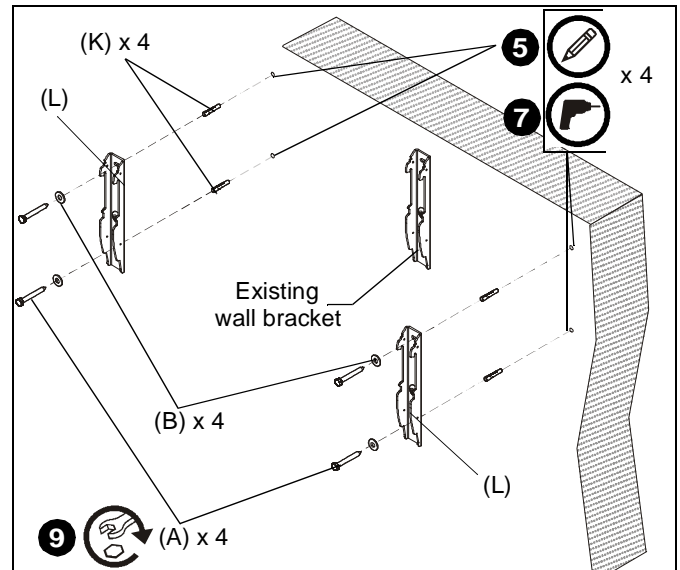


Figure 2

### Installing to Wood Studs

**NOTE:** The wall brackets must be placed a minimum of 16" apart and a maximum of 24" apart.

- **WMAL72:** Use one of the wall brackets from the existing wall mount.
  - **WMAL106:** Use both of the wall brackets from the existing wall mount.
1. Determine mounting location on either side of existing wall bracket. Use a stud finder to locate studs.

2. Using wall bracket (L) as a template, line up holes on wall bracket with center of studs at desired mounting location. Mark two holes at holes in bracket ensuring holes are at center of stud. (See Figure 3)
3. Using a level, mark holes for second wall bracket (L) on opposite side of existing wall bracket.
4. Drill four 7/32" holes at marked locations in wall. (See Figure 3)

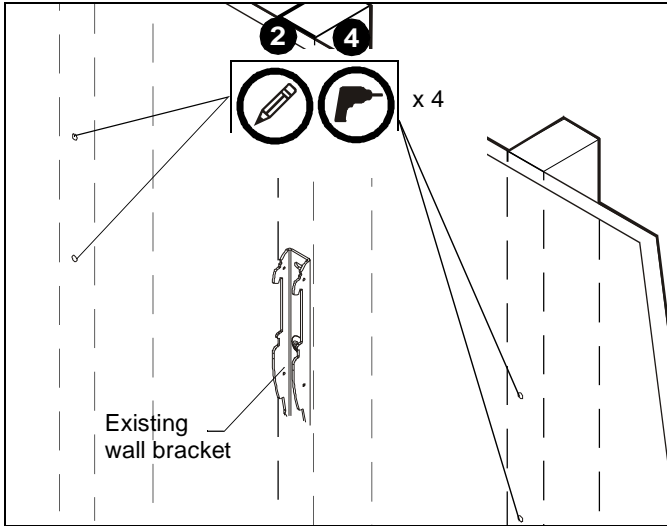


Figure 3

5. Install four 5/16 x 2-1/2" hex head lag screws (A) through four 5/16" washers (B), holes of wall bracket (L) and into drilled holes. (See Figure 4)

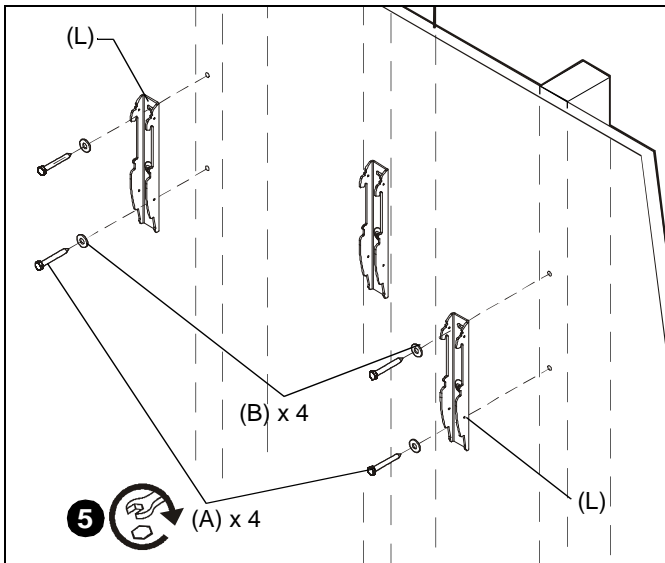


Figure 4

### Installing to Steel Studs

**IMPORTANT ! :** See **Site Requirements for Steel Stud Installation** section before proceeding with Steel Studs installation to ensure installation site meets requirements! The drywall must have a minimum thickness of 1/2"!

**NOTE:** The wall brackets must be placed a minimum of 16" apart and a maximum of 24" apart.

- **WMAL72:** Use one of the wall brackets from the existing wall mount.
  - **WMAL106:** Use both of the wall brackets from the existing wall mount.
1. Determine mounting location on either side of existing wall bracket. Use a stud finder to locate studs.
  2. Using wall bracket (L) as a template, line up holes on wall bracket with center of studs at desired mounting location. Mark two holes at holes in bracket, ensuring holes are at center of stud. (See Figure 5)
  3. Using a level, mark holes for second wall bracket (L) on opposite side of existing wall bracket.
  4. Drill four 1/2" holes at marked locations in wall. (See Figure 5)

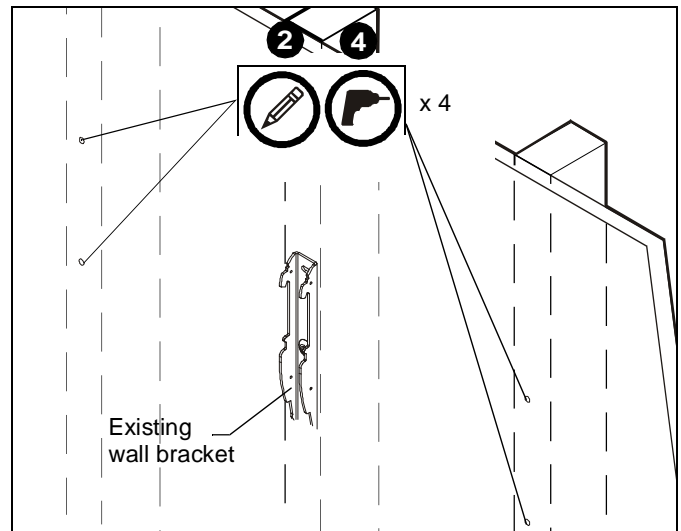


Figure 5

5. Hold metal channel on anchor (D) flat alongside plastic straps and slide channel through hole. (See Figure 6)

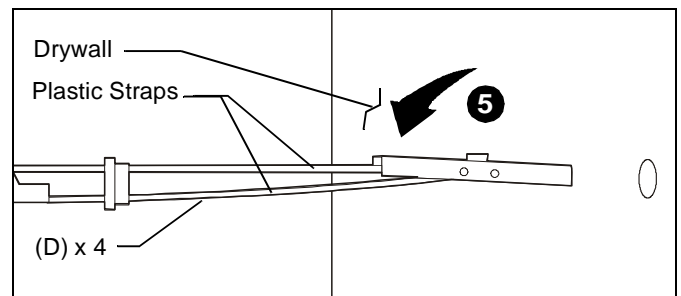


Figure 6



6. Holding plastic straps on anchor (D), pull anchor away from wall until channel rests flush behind wall making sure anchor channel is positioned vertically on stud. (See Figure 7)
7. Slide plastic cap on anchor (D) towards wall until flange of cap is flush with wall. (See Figure 7)

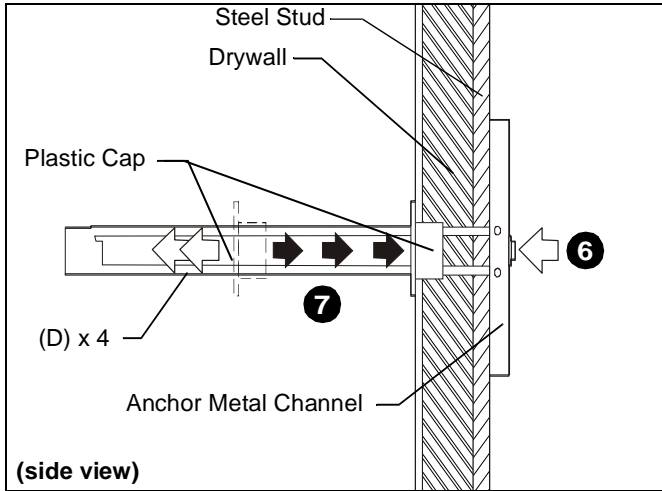


Figure 7

8. Snap off plastic straps on anchor at wall by pushing side to side, snapping off straps level with flange of plastic cap. (See Figure 8)
9. Repeat Steps 5 through 8 for each mounting hole.

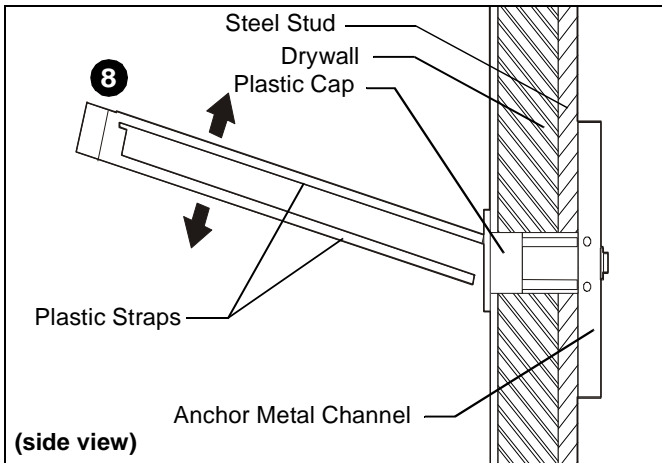


Figure 8

10. Place wall bracket (L) over anchors and align mounting holes in bracket with holes in anchors. (See Figure 9)
11. Insert 1/4-20 x 1-3/4" Phillips pan head screw (E) through 1/4" washer (C), corresponding mounting hole on wall bracket and into anchor (D) and tighten until flush against wall bracket. DO NOT overtighten! (See Figure 9)
12. Repeat Steps 10 and 11 for remaining mounting holes.

**⚠ WARNING: IMPROPER INSTALLATION CAN LEAD TO EQUIPMENT FALLING CAUSING SERIOUS PERSONAL INJURY OR DAMAGE TO EQUIPMENT! Overtightening of mounting hardware can damage the steel studs. DO NOT overtighten mounting hardware!**

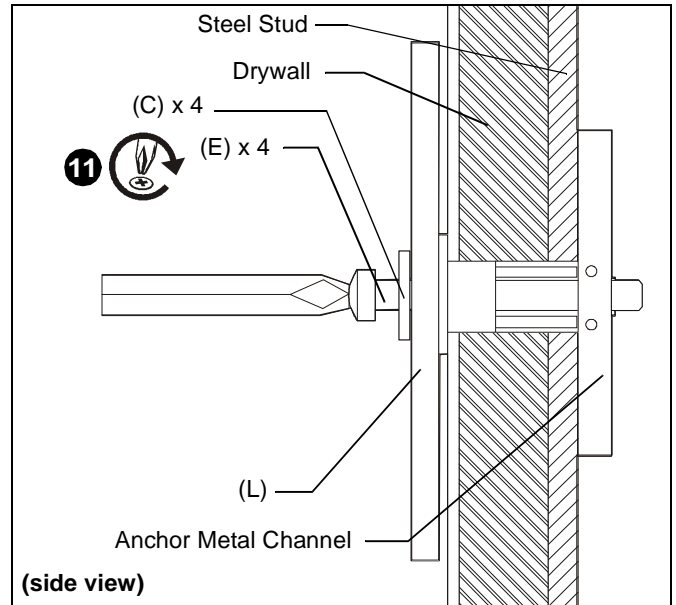


Figure 9

**Assembling WMAL72 / WMAL106**

1. Fasten left end cap (P) to left end of wall mount (Q) using two 08 x 1" Phillips sheet metal screws (H). (See Figure 10)

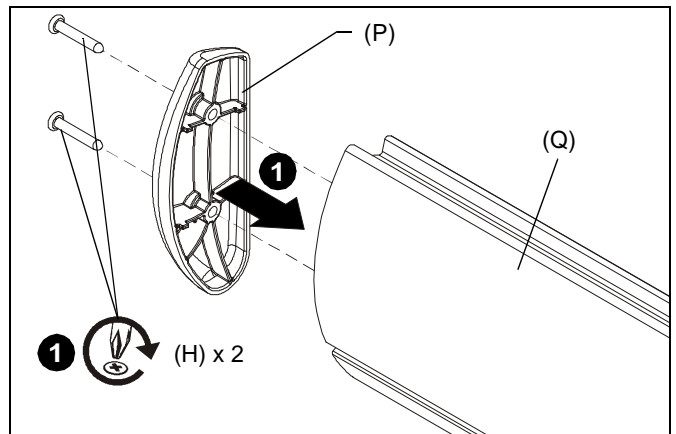


Figure 10

2. Add eight cord clips (T) to wall mount (Q) by sliding clips into the end of the wall mount. (See Figure 11)
3. Fasten right end cap (N) to right end of wall mount (Q) using two 08 x 1" Phillips sheet metal screws (H). (See Figure 11)

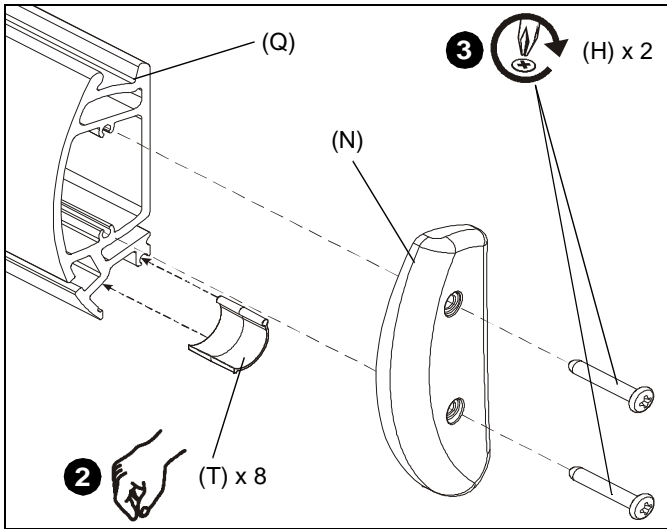


Figure 11

4. Place wall mount (Q) onto wall brackets by lifting mount up under wall bracket (L) top hooks and swinging bottom of mount against wall brackets. (See Figure 12)
5. Fasten wall mount (Q) to wall brackets (L) using two wall mount clamps (M) and two 5/16 x 1" flat head cap screws (G). (See Figure 12)

**NOTE:** Also use flat head screw(s) and mount clamp(s) removed earlier from existing wall bracket(s) for attachment to wall brackets included with WMAL72 and WMAL106. (See Figure 12)

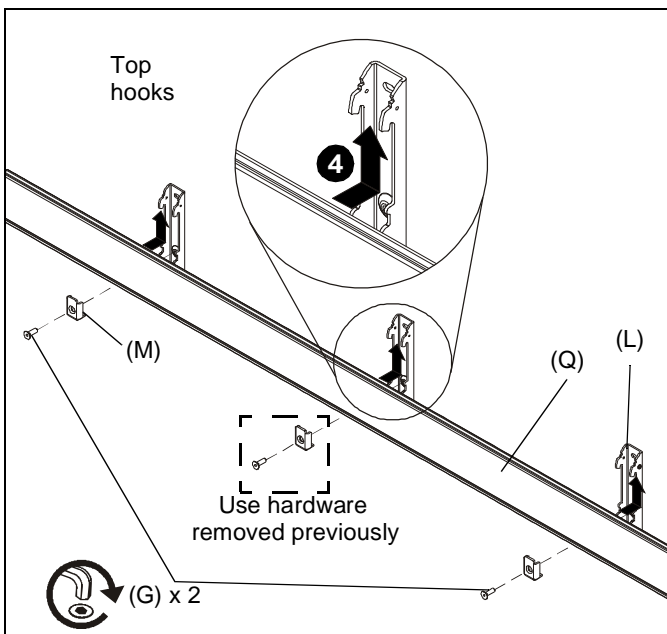


Figure 12

**Installation of Wall Bracket Covers**

1. Place wall mount top caps (R) over top of two wall brackets. (See Figure 13)
2. Secure wall mount top caps (R) to wall bracket by installing four #8-32 x 1/2" Phillips pan machine screws (F) through holes in covers and wall bracket. (See Figure 13)

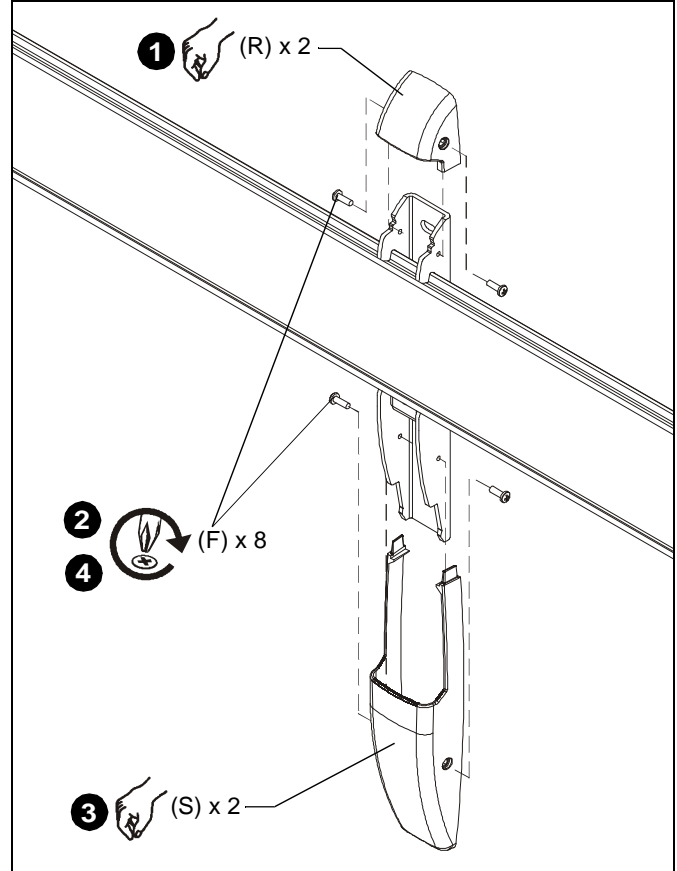


Figure 13

3. Place wall mount bottom caps (S) over bottom of each wall bracket. (See Figure 13)
4. Secure wall mount bottom caps (S) to wall brackets by installing four #8-32 x 1/2" Phillips pan machine screws (F) through holes in covers and wall bracket. (See Figure 13)
5. Complete short arm mount and projector installation following instructions included with the mount.



**CAUTION:** Short throw arm **MUST** always be located between two wall brackets, and **NOT** at the end of the WMAL72 or WMAL106!





Our Mounts. **Your Vision.**

Chief Manufacturing, a products division  
of Milestone AV Technologies

8802-002088 Rev01  
©2012 Milestone AV Technologies, a  
Duchossois Group Company  
[www.chiefmfg.com](http://www.chiefmfg.com)  
07/12

<b>USA/International</b>	<b>A</b> 6436 City West Parkway, Eden Prairie, MN 55344 <b>P</b> 800.582.6480 / 952.225.6000 <b>F</b> 877.894.6918 / 952.894.6918
<b>Europe</b>	<b>A</b> Franklinstraat 14, 6003 DK Weert, Netherlands <b>P</b> +31 (0) 495 580 852 <b>F</b> +31 (0) 495 580 845
<b>Asia Pacific</b>	<b>A</b> Office No. 1 on 12/F, Shatin Galleria 18-24 Shan Mei Street Fotan, Shatin, Hong Kong <b>P</b> 852 2145 4099 <b>F</b> 852 2145 4477

