

# VERTICAL MOUNTING SYSTEM - 8326

MONITOR MOUNTS



# CONFIGURABLE SYSTEM.

The 8326 vertical mounting track provides a space-efficient method of elevating your entire computer system. This highly configurable solution can be customized to meet your needs by incorporating flexible monitor arms, keyboard arms, and a CPU holder. All cables are routed through track, and hidden behind a cable channel.

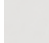

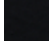


## FEATURES

- **Custom:** Choose from standard length 13", 19" or 31" or contact your sales rep for custom lengths.
- **Clean:** Integrated cable management keeps cables organized and out of view.
- **Configure:** Configure with your choice of monitor arm, keyboard arm and CPU holder.
- **Safe:** Mounting system prevents accidents and trip hazards which may damage equipment or harm staff.

## SPECIFICATIONS

### Finishes

	Flat White 248
	Silver 124
	Vista Black 104

### Dimensions

Screen Size: Up to 43"  
Mount: Wall

### Part Numbers

8326-\_\_\_

## WARRANTY

10 years



Add any Innovative monitor arm, keyboard arm, CPU holder

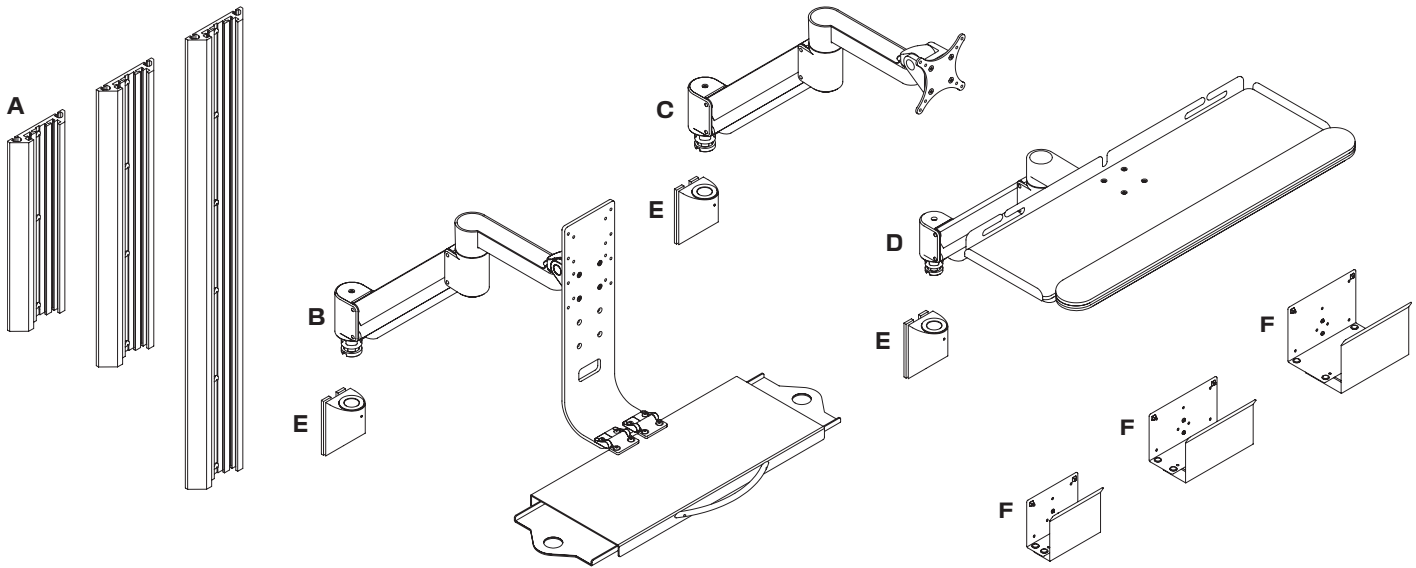


Optional CPU holder elevates your CPU to save space



Cables are routed through track and hidden behind cable channel

---

**VERTICAL TRACK SYSTEM COMPONENTS**
**A Wall Track**

Choose from three lengths:  
13", 19" and 31".  
(Width of track is 4.4")  
Model 8326

**B Data Entry Monitor Arm**

Supports monitor and keyboard tray.  
(Requires track mount)  
Model 7509

**C Monitor Arm**

Add any Innovative monitor arm.  
(Requires track mount)

**D Keyboard Arm**

Accommodates keyboard and mouse.  
(Requires track mount)  
Model 7019-NM

**E Track Mount**

Mounts arm to track.  
Model 8328

**F CPU Mount**

Adjustable mount secures CPU.  
Model 8335-SM, 2-3" wide  
Model 8335-MD, 3-5" wide  
Model 8335-LG, 5-7" wide