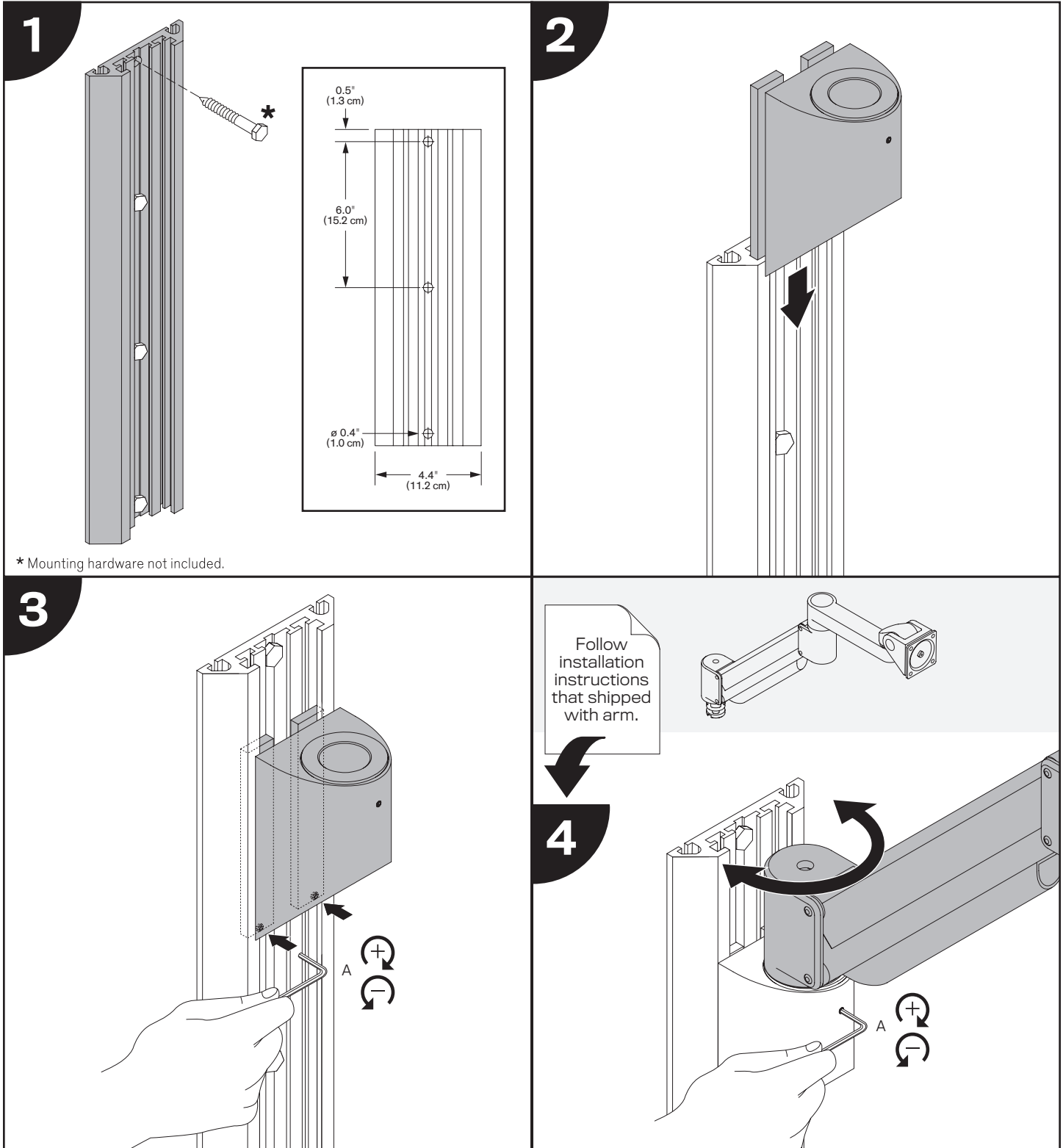


Innovative Ergonomic Solutions companies

# VERTICAL MOUNTING TRACK

## Installation Instructions



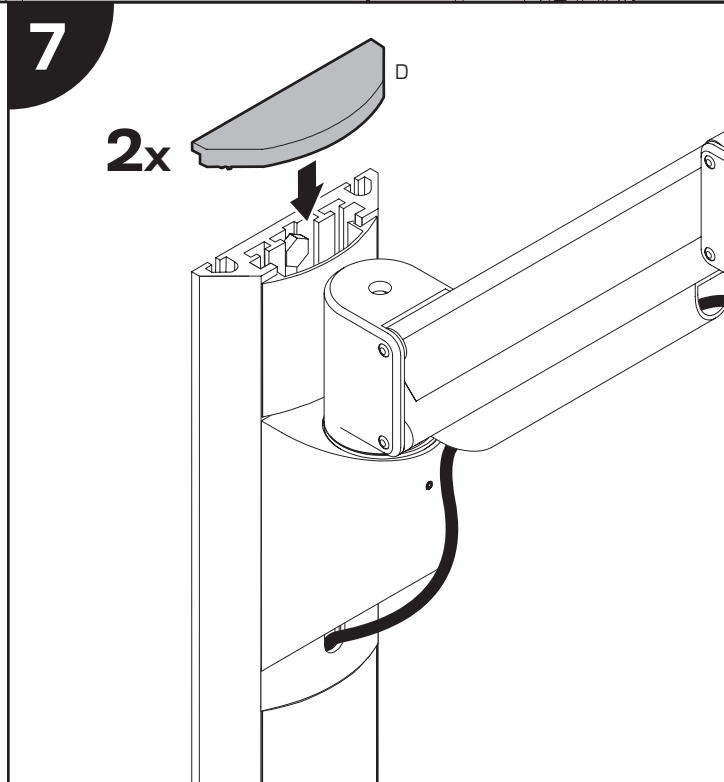
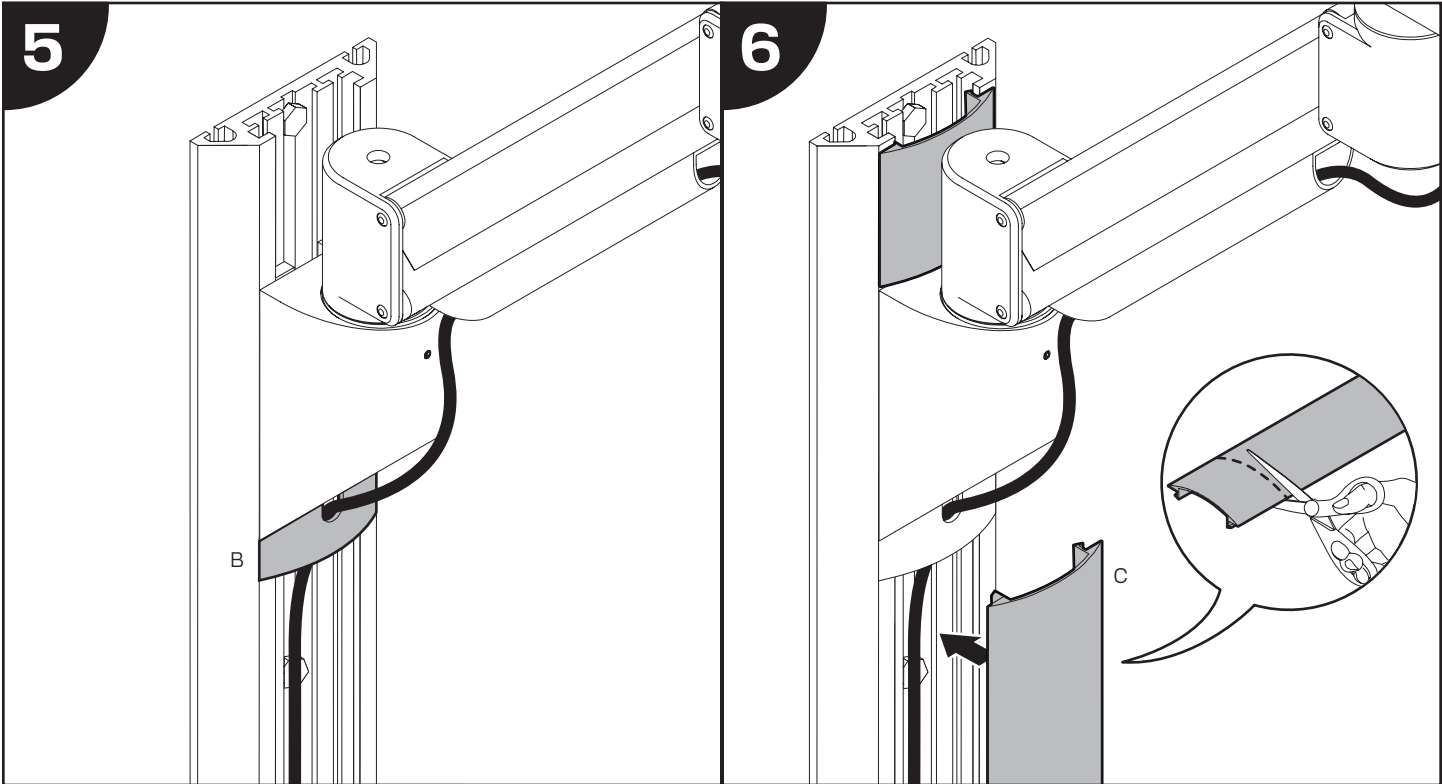
1

2

3

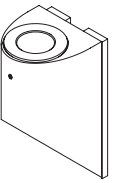
4

Follow installation instructions that shipped with arm.

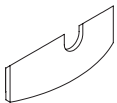


# MODEL 8328

## Installation Instructions



| ITEM | DESCRIPTION / PART NO.                 | QUANTITY |
|------|----------------------------------------|----------|
| A    | <b>3/32" Allen Wrench</b><br>700146    | 1        |
| B    | <b>Track Mount Cable Cap</b><br>104599 | 1        |



# MODEL 8326

## Installation Instructions



| ITEM | DESCRIPTION / PART NO.           | QUANTITY |
|------|----------------------------------|----------|
| C    | <b>Track Cable Cap</b><br>104985 | 1        |
| D    | <b>Track End Cap</b><br>104596   | 2        |

