
INSTALLATION INSTRUCTIONS

POLE PITCH-ADJUSTABLE MOUNT

TPA-110

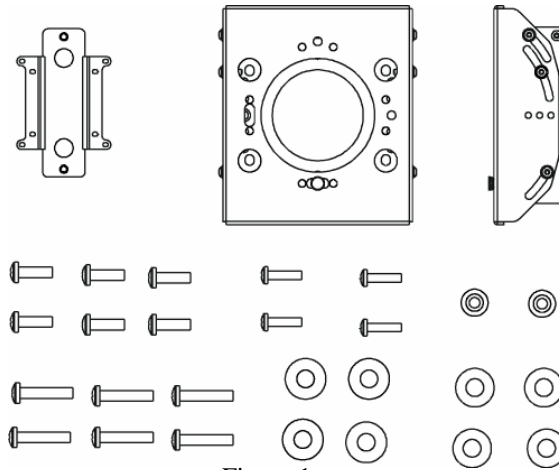


Figure 1

- | | |
|---------------------------------------|--|
| (1) Pole Mount Tilt Assembly | (4) Nylon, Spacer, .5 X .194 ID X 3/8" |
| (1) VESA Flat Panel Interface Adapter | (4) Pan Head Screw, M4-.7X30mm |
| (4) Pan Head Screw, M4-.7X12mm | (2) Stover Nut, 3/8-16 |
| (4) Pan Head Screw, M4-.7X20mm | (4) Nylon, Spacer, .5 X .194 ID X 3/4" |
| (3) Washer, UHMW (not Shown) | (2) Washer, Flat, 3/8" (not shown) |

BEFORE PROCEEDING: Unpack the carton, verify contents shown in Figure 1 and read installation instructions completely. If you are missing any of the listed components, please contact Customer Service at 1-800/582-6480.

CAUTION! DISPLAYS ARE EXTREMELY FRAGILE.

WARNING! ALL COMPONENTS MUST BE SECURELY FASTENED TO A STRUCTURAL MEMBER CAPABLE OF SUPPORTING 4 TIMES THE COMBINED WEIGHT OF ALL COMPONENTS PLUS THE EQUIPMENT BEING MOUNTED. IF IT CANNOT SUPPORT THIS WEIGHT, THE STRUCTURE MUST BE REINFORCED. THE MAXIMUM WEIGHT TO BE INSTALLED ON THE MOUNT IS 150 POUNDS (68.04 KG).

Installation for 75mm and 100mm Mounting:

1. For displays with a flat mounting surface, place adapter bracket over four mounting holes and secure using four M4 X 12mm PHCS screws (75mm see Figure 2, Figure 3 and Figure 4) (100 mm see Figure 2 and Figure 5).
2. For displays with a recessed mounting surface, place four 5 X .194 ID X .0375" Nylon spacers over four mounting holes (see Figure 6).
3. For displays with a recesses mounting surface, place adapter bracket over four spacers and secure using four M4 X 20mm or 30mm PHCS screws (see Figure 7).



CHIEF MANUFACTURING INC.
1-800-582-6480 952-894-6280 FAX 952-894-6918
8401 EAGLE CREEK PARKWAY, STE 700
SAVAGE, MINNESOTA 55378 USA

8800-000052
2005 Chief Manufacturing
www.chiefmfg.com
12/05

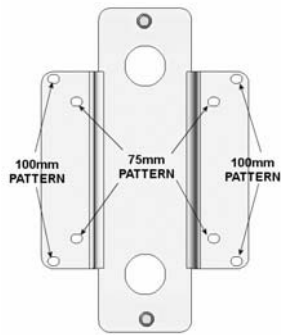


Figure 2

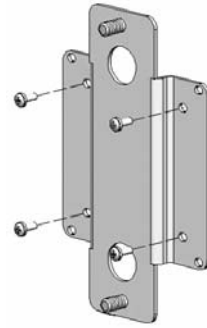


Figure 3

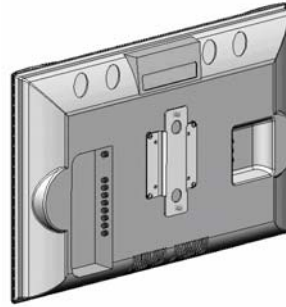


Figure 4

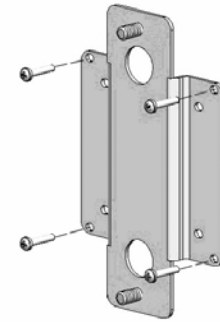


Figure 5

Recessed mounting surface shown

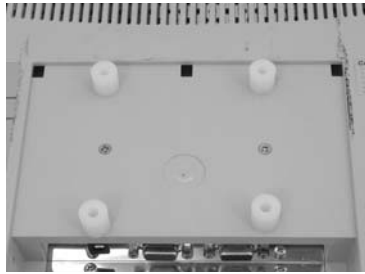


Figure 6



VESA Flat Panel Interface Adapter To Pitch-Adjustable Mount Installation:

1. Install VESA flat panel interface adapter on pitch-adjustable mount (see Figure 8).
2. Secure VESA flat panel interface adapter to pitch-adjustable mount using three UHMW washers, two 3/8" flat washers, and two 3/8-16 lock Nuts.

Pitch-Adjustable Mount Installation And Adjustment:

1. Securely anchor the pitch-adjustable mount to framework (see WARNING).
2. Loosen tilt adjustment using screws, adjust clamps to desired tilt, and tighten tilt adjustment screws if necessary.
3. If desired, use a 1/4" bolt to secure tilt at 0 degrees, 5 degrees or 10 degrees (see Figure 8).

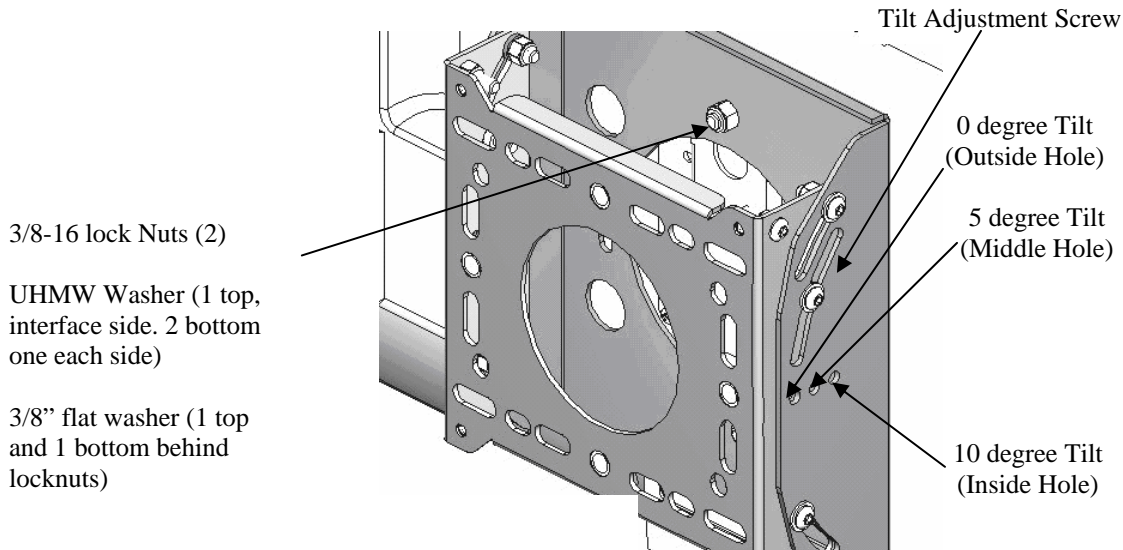


Figure 8