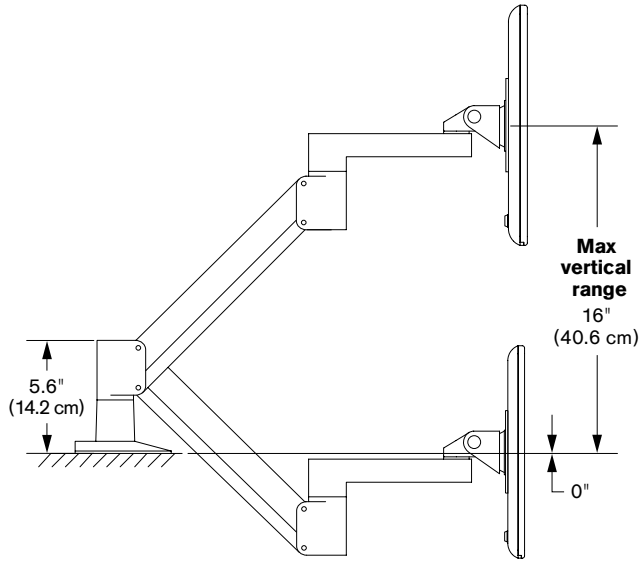
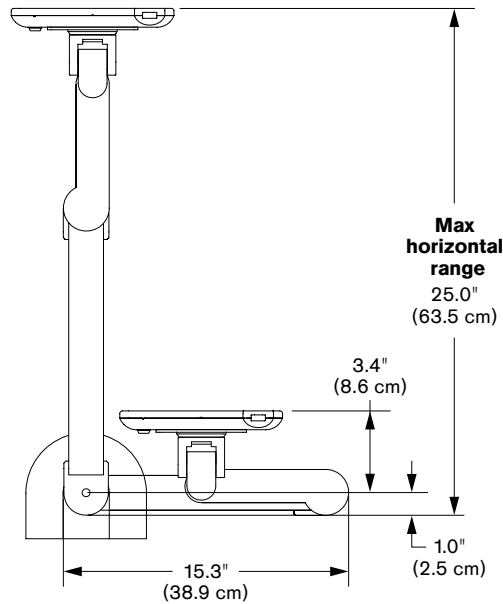


# Model 7000-8438

## Specifications



**VERTICAL RANGE**  
Side View

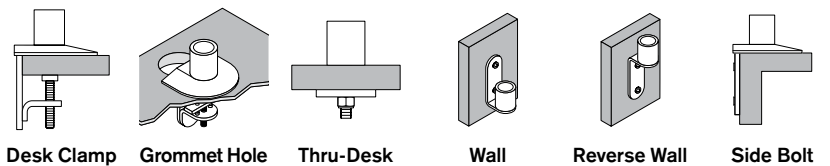


**HORIZONTAL RANGE**  
Top View

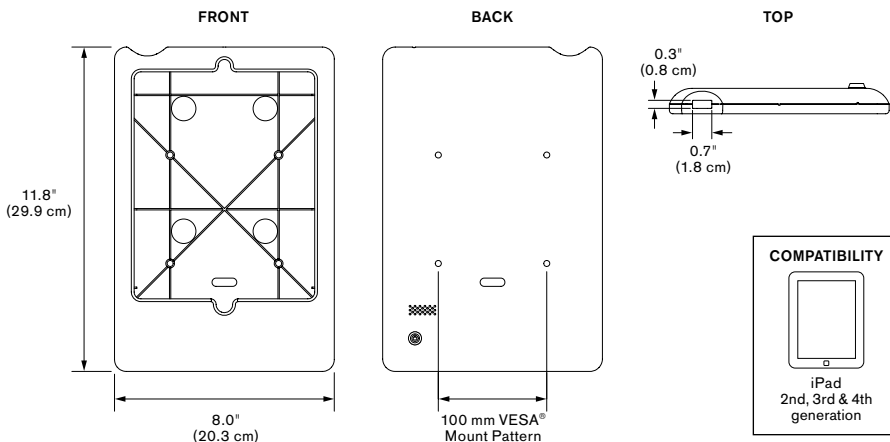
### CAPABILITIES

- Vertical range** ..... +/- 8" (40.6cm) from horizontal)
- Horizontal range** ..... 25" (63.5)
- Rotation** ..... 360 degrees at three joints
- Monitor tilt** ..... 200 degrees
- Monitor pivot** ..... Landscape to portrait
- Cable management** ..... Cables are concealed in arm

### FLEXMOUNT™ CONFIGURATIONS



### iPAD® HOLDER



iPad is a registered trademark of Apple, Inc.



Phone: 800.524.2744 | Fax: 610.253.9521 | E-mail: sales@LCDarms.com | Web: www.LCDarms.com

This product is protected by one or more of the following U.S. Patent Nos. and other United States and foreign patents applied for: 119,345, 119,346, 1,324,842, 2,470,525, 6,076,785, 6,273,383, 6,409,134, 6,478,274, 6,499,704, 6,505,988, 6,609,691, 6,19,606, 6,719,253, 6,726,167, 6,736,364, 6,783,105, 6,854,698, 6,915,994, 6,935,883, 6,955,328, 6,983,917, 6,986,489, 7,014,157, 7,017,874, 7,048,242, 7,059,574, 7,063,296, 7,066,433, 7,066,435, 7,389,965, 7,665,699, D435,852, D491,952, D492,893, D670,853, D675,293.

LIT-1157 REV A