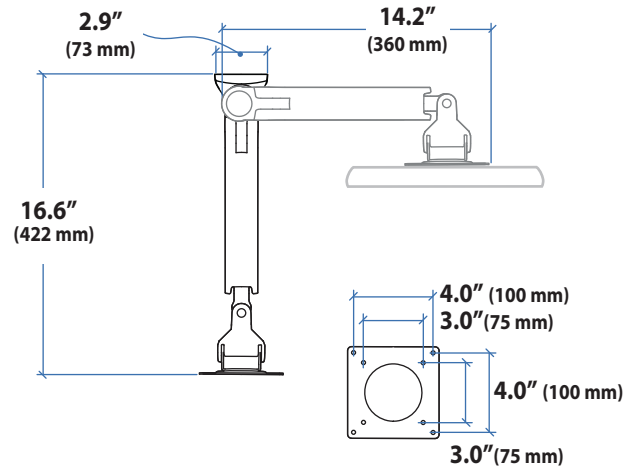
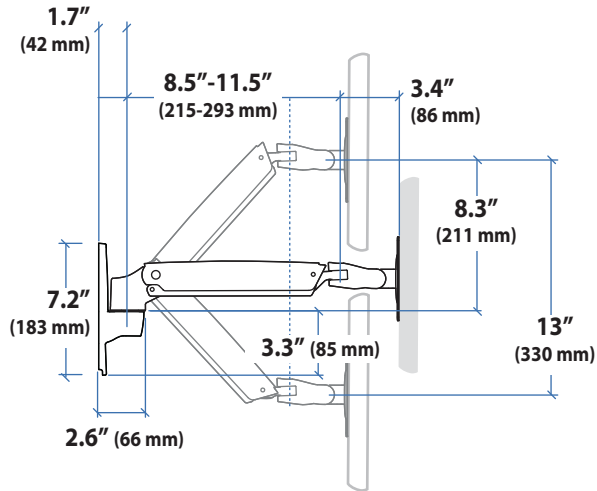


Interactive Arm LD

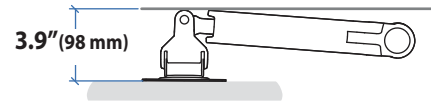
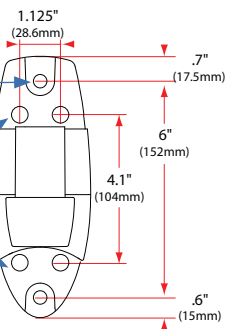
Dimensions



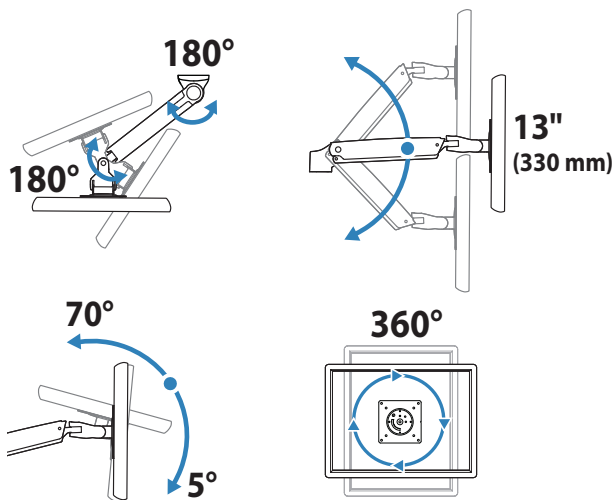
Wall Mount Bracket

Stud mounting:
M8 x 80mm or 5/16" x 3"
and flat washer 8mm or
5/16" (2 places)

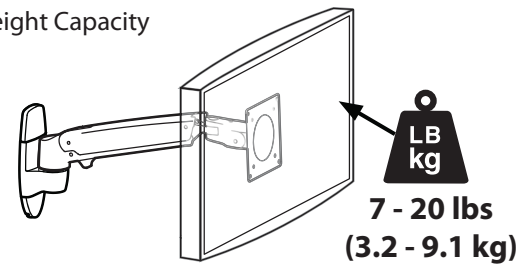
Wall Track mounting:
Button head cap screw
#10-24 x 5/8" (4 places)



Range of Motion



Weight Capacity



Monitor depth greater than 2.5" (64 mm) may diminish capacity.