

CHIEF MANUFACTURING INC.
ORDER NUMBER IS PAC-130
PHONE: 1-800-582-6480

THE INFORMATION AND DESIGNS CONTAINED IN THIS DRAWING ARE CONFIDENTIAL AND THE PROPRIETARY PROPERTY OF CHIEF MFG., INC. NEITHER THIS DESIGN NOR ANY INFORMATION CONTAINED IN THIS DRAWING MAY BE REPRODUCED OR DISCLOSED TO OTHERS WITHOUT THE EXPRESS WRITTEN CONSENT OF CHIEF MFG., INC.

 CHIEF MANUFACTURING, INC. <small>12800 HWY 13 SOUTH STE. 500 • SAUSAGE, MN. 55378 1.800.582.6480 • 16x 1.877.814.6918</small>	TITLE
	CUSTOMER PRINT PLASMA LOCKING ACCESSORY PAC-130
SIZE	DWG. NO.
B	PAC-130

REV	DESCRIPTION	DATE	CHK	AUTH

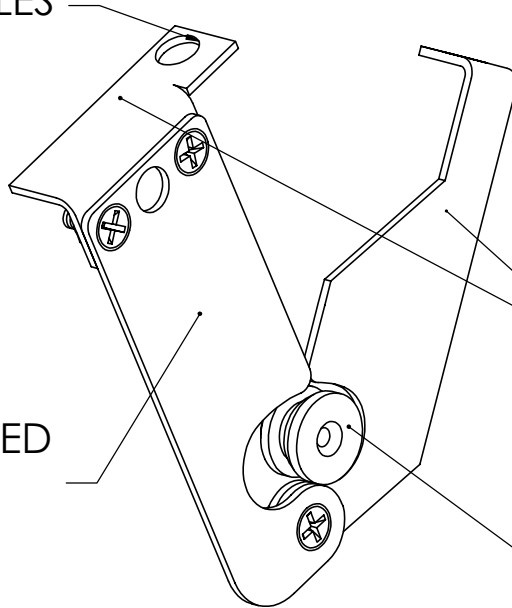
PUT PADLOCK OR BOLT THROUGH MATING HOLES

PAC-130 PADLOCK NOT INCLUDED
PAC-135 INCLUDES PADLOCK

FLAG THAT IS INCLUDED WITH MOUNT

ATTACH BACKING FLAG AND HASP WITH HARDWARE THAT IS INCLUDED IN PAC-130 OR PAC-135

FLAGS WRAP AROUND MOUNTING BUTTON



THE INFORMATION AND DESIGNS CONTAINED IN THIS DRAWING ARE CONFIDENTIAL AND THE PROPRIETARY PROPERTY OF CHIEF MFG., INC. NEITHER THIS DESIGN NOR ANY INFORMATION CONTAINED IN THIS DRAWING MAY BE REPRODUCED OR DISCLOSED TO OTHERS WITHOUT THE EXPRESS WRITTEN CONSENT OF CHIEF MFG., INC.

THIRD ANGLE PROJECTION	
DIMS. AND TOLERANCES PER ASME Y14.5 - 1994	
MATERIAL	
FINISH	

[X.XX] DIMENSIONS ARE IN mm XXX DIMENSIONS ARE IN INCHES	CAD GENERATED DRAWING. DO NOT MANUALLY UPDATE
UNLESS OTHERWISE NOTED TOLERANCES ARE:	DATE 01/21/02
[X] ± 2.5mm .X ± .100	DESIGNER J.A.B.
[X.X] ± .75mm .XX ± .030	DETAILER J.A.B.
[X.XX] ± .25mm .XXX ± .010	RESP ENG J.A.B.
[X.XXX] ± .13mm .XXXX ± .005	
ANGULAR: ± 0°30'	
SURFACE FINISH: 125√	

DATE	01/21/02
DESIGNER	J.A.B.
DETAILER	J.A.B.
RESP ENG	J.A.B.
SHEET 1 OF 1	

CHIEF MANUFACTURING, INC. 12800 HWY 13 S., STE. 500 * SAVAGE, MN 55378 P 952-894-6280 * F 877-894-6918	TITLE	PAC-130 PAC-135
	SIZE	
REV.		