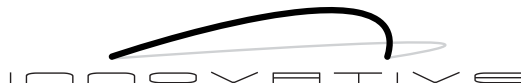
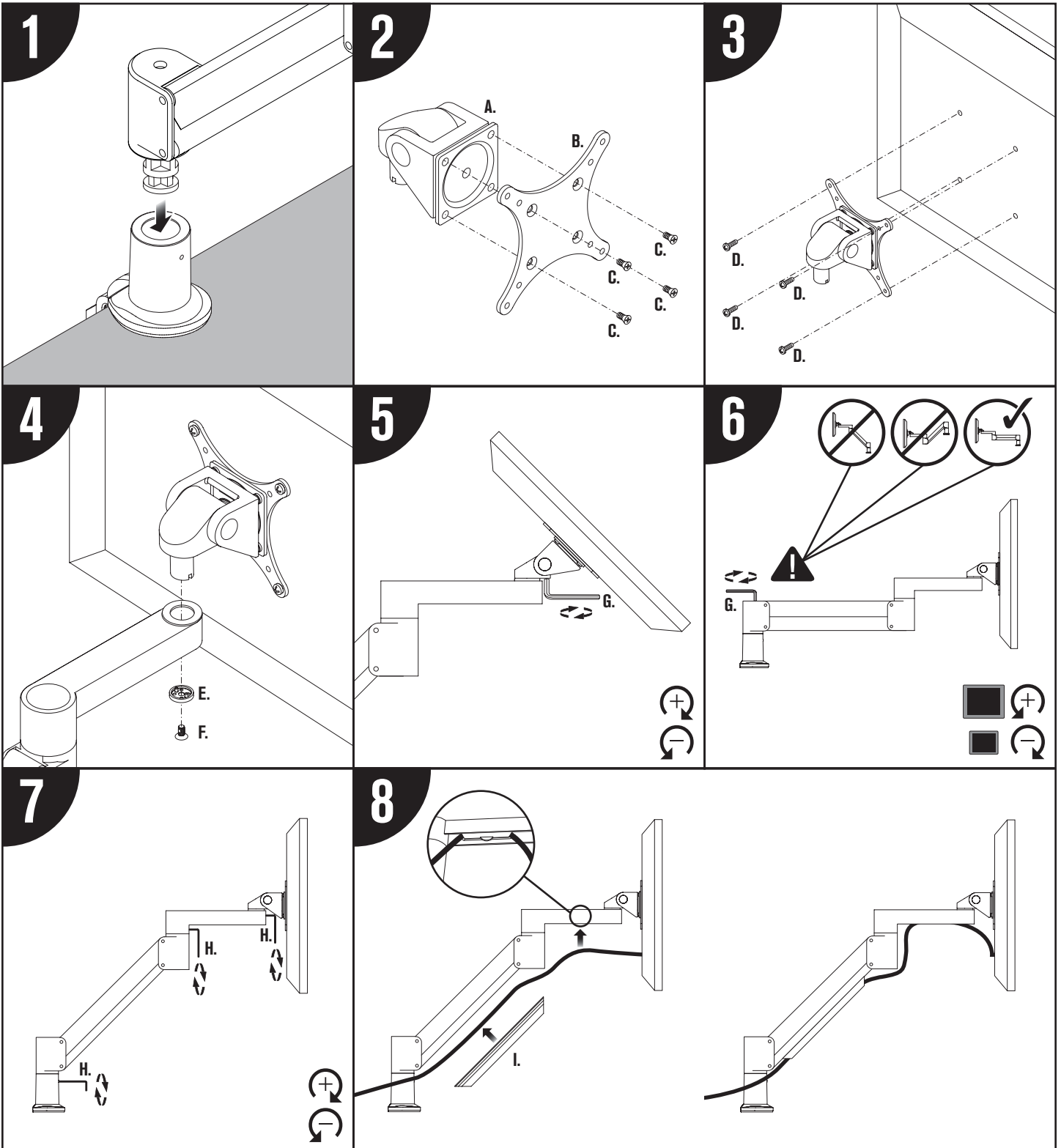


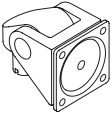

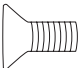
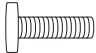
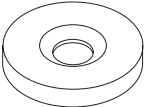
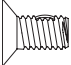


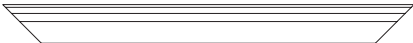
7Flex® Installation Instructions

www.LCDarms.com | 800.524.2744



7Flex® Parts List

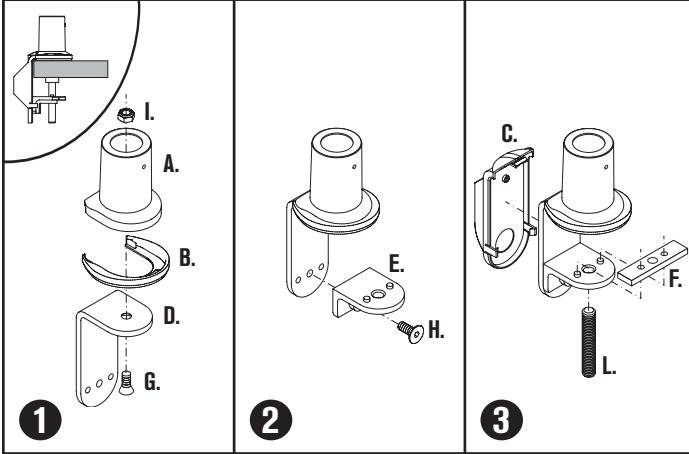
www.LCDarms.com | 800.524.2744

ITEM	DESCRIPTION / PART NO.	QUANTITY
A. 	Sloped Tilter 405397	1
B. 	75 mm and 100 mm Starfish VESA Adapter Plate 105587	1
C. 	10-32 x 3/8" (9.525 mm) Philips Flat Head Screw 701164	4
D. 	M4-12 Philips Pan Head Screw 702096	4
E. 	Dog Washer 105189	1
F. 	10-32 x 3/8" (9.525 mm) Screw with Lock Patch 705198	1
G. 	7/32" (5.563 mm) Allen Wrench 701127	1
H. 	3/32" (2.388 mm) Allen Wrench 700146	1
I. 	Cable Cap 102043-9.5A	1

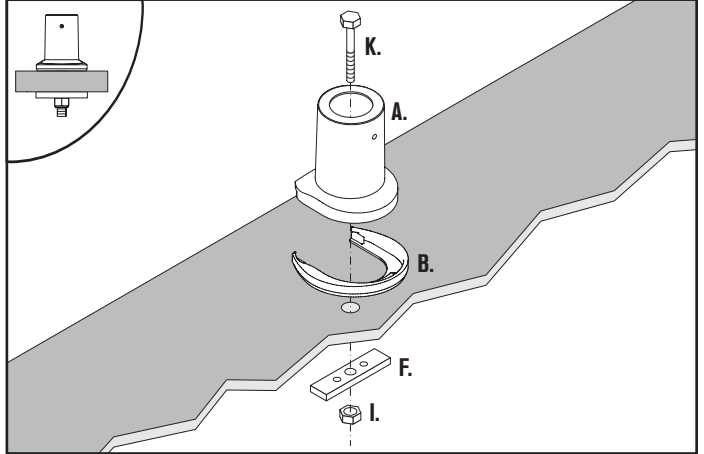
FLEXmount™ Installation Instructions

www.LCDarms.com | 800.524.2744

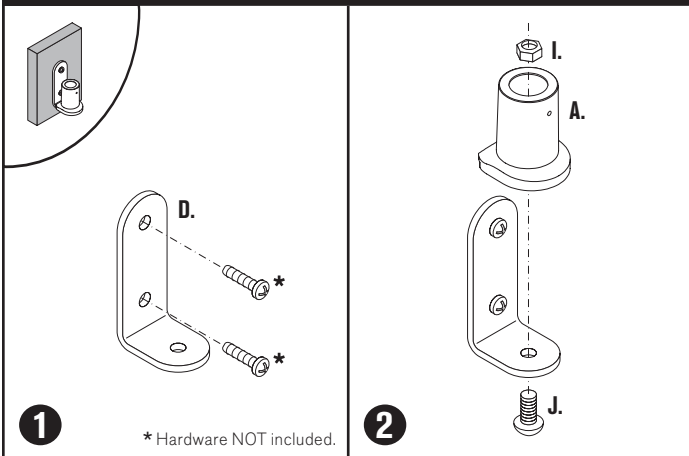
Desk Clamp



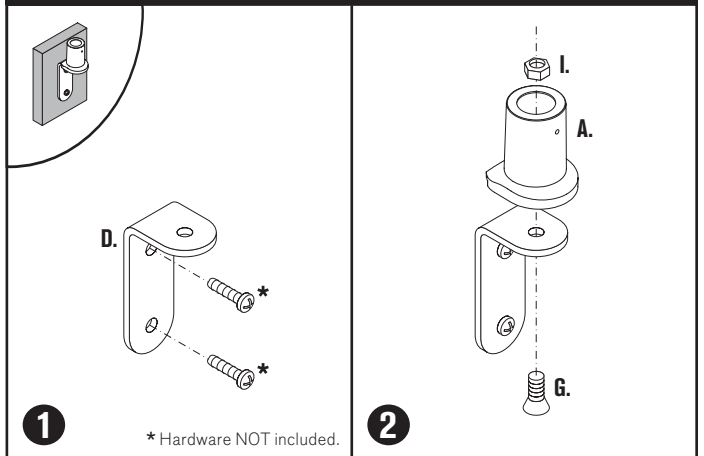
Thru-Desk



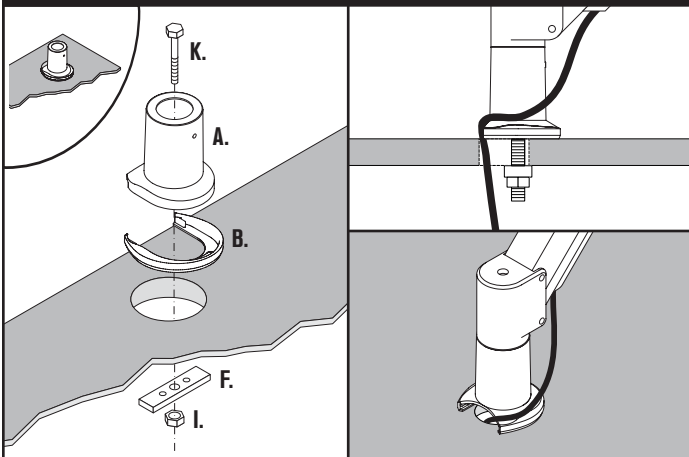
Wall Mount



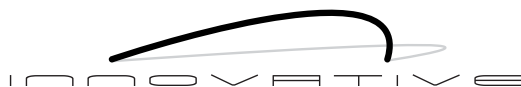
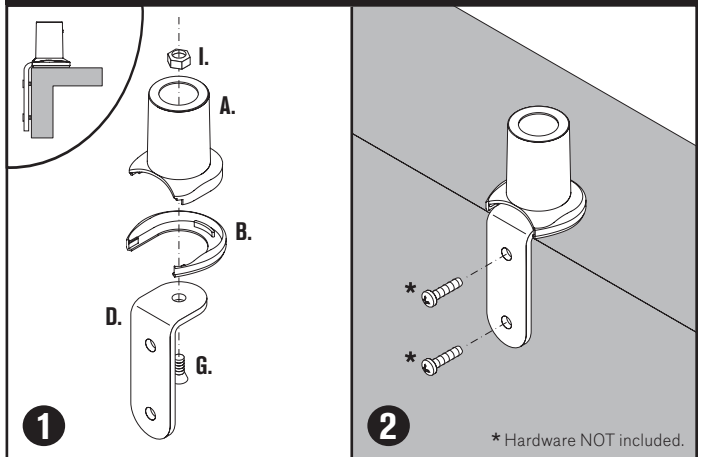
Reverse Wall Mount



Grommet Hole

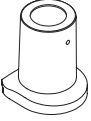

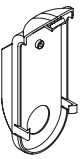
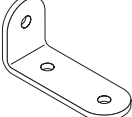
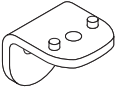
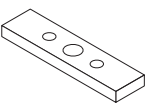
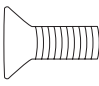
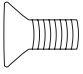
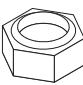
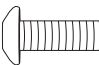
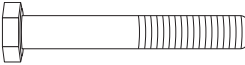
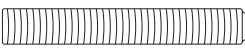


Side Bolt



FLEXmount™ Parts List

www.LCDarms.com | 800.524.2744

ITEM	DESCRIPTION / PART NO.	QUANTITY
A. 	Mount Cup 406715	1
B. 	Mount Cup Rubber Sole 105553	1
C. 	Cable Management 105538	1
D. 	Large "L" Bracket 701117	1
E. 	Small "L" Bracket 701116	1
F. 	Rectangular Spacer 701544	1
G. 	3/8-16 x 1" (25.4mm) Flat Socket Cap Screw 701124	1
H. 	3/8-16 x 7/8" (22.225mm) Flat Socket Cap Screw 701799	1
I. 	3/8-16 Nylon Stop Nut 701418	1
J. 	3/8-16 x 7/8" (22.225mm) Button Socket Cap Screw 701122	1
K. 	3/8-16 x 2-1/2" (63.5mm) Hex Head Bolt 700268	1
L. 	1/2-13 x 3" (76.2mm) Socket Set Screw 701126	1