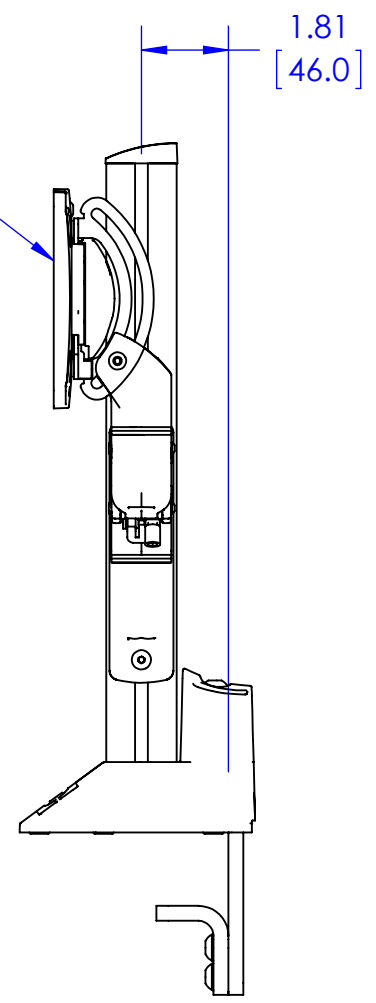


TILT RANGE
75° UP
10° DOWN



THE INFORMATION AND DESIGNS CONTAINED IN THIS DRAWING ARE CONFIDENTIAL AND THE PROPRIETARY PROPERTY OF MILESTONE AV TECHNOLOGIES NEITHER THIS DESIGN NOR ANY INFORMATION CONTAINED IN THIS DRAWING MAY BE REPRODUCED OR DISCLOSED TO OTHERS WITHOUT THE EXPRESS WRITTEN CONSENT OF MILESTONE AV TECHNOLOGIES.

CAD GENERATED DRAWING, DO NOT MANUALLY UPDATE.			<p>6436 CITY WEST PKWY EDEN PRAIRIE MN, 55344 PHONE: 866-977-3901 FAX: 877-894-6918</p>		
DRAWN BY	PMS	11/27/2013			
ENG APPROVAL			DESCRIPTION		
MFG APPROVAL			K1C210		
QA APPROVAL			MODEL NO.		
SHEET 1 OF 1		SCALE	SIZE	DWG. NO.	REV.
		1:4	B	TECH-000462	01