

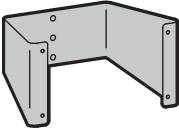
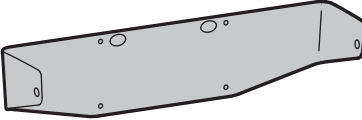
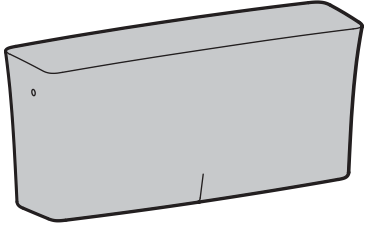



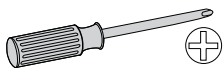


Components



	A	B	C	D	E
1					
2	2x  M3x5mm		4x  M4x8mm	2x  M5x10mm	

Tools Needed



For the latest User Installation Guide please visit: www.ergotron.com

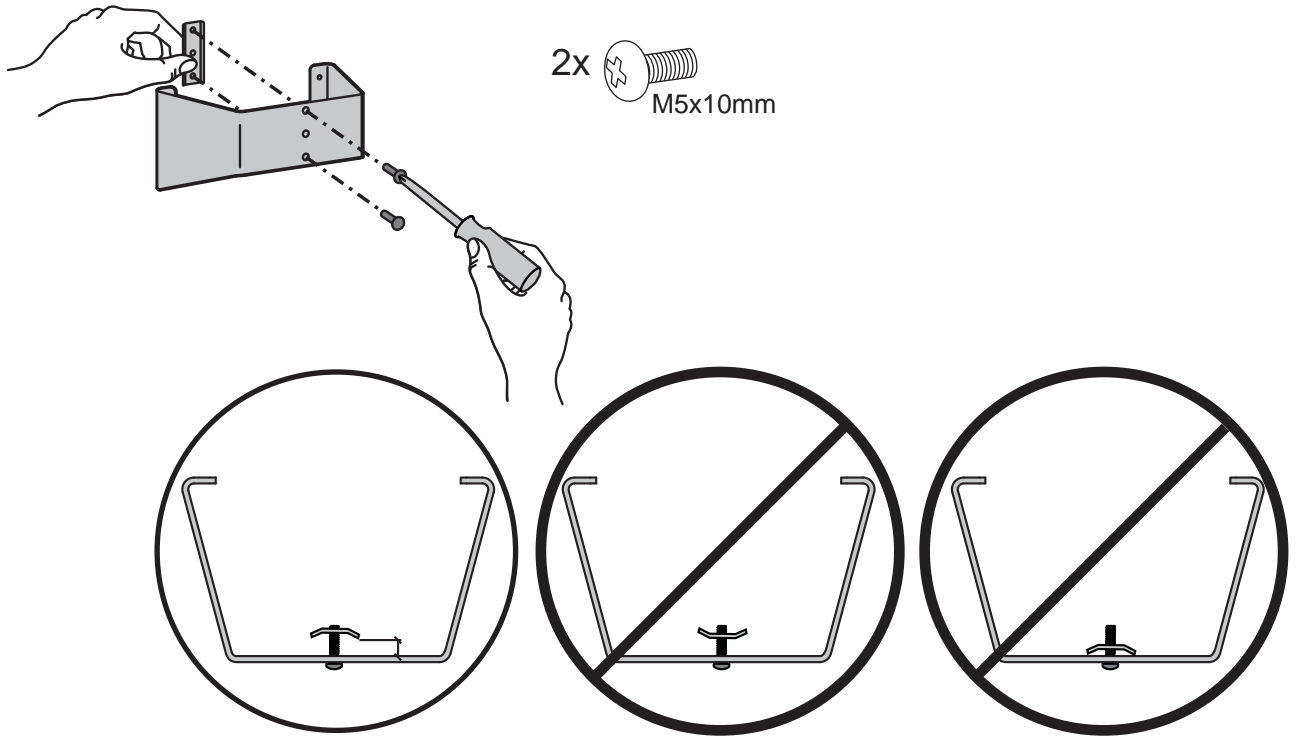


User's Guide - English
 Guía del usuario - Español
 Manuel de l'utilisateur - Français
 Gebrauchsgids - Deutsch
 Benutzerhandbuch - Nederlands
 Guida per l'utente - Italiano
 Användarhandbok - svenska
 ユーザーガイド : 日本語
 用户指南 : 汉语



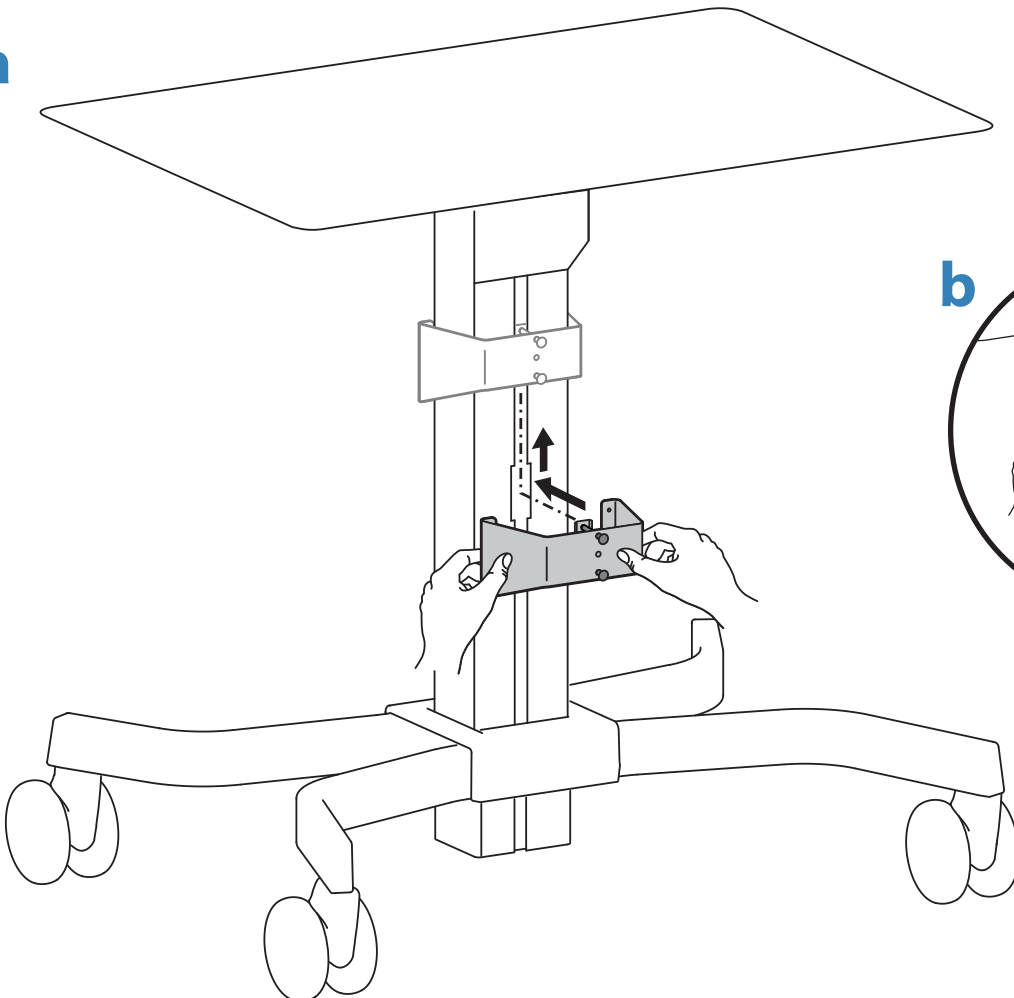
www.ergotron.com
 USA 1-800-888-8458
 Europe +31 (0)33-45 45 600
 China 86-769-86018920

- 1** Attach T-slot bracket in the orientation shown making sure you leave enough space between brackets to attach to cart.

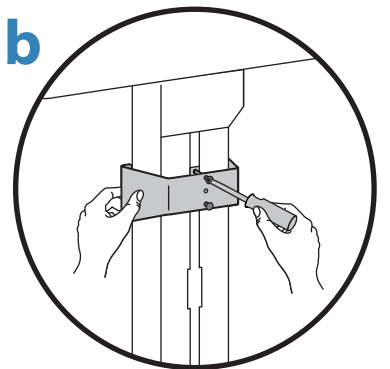


- 2** a. Insert T-slot bracket into T-slot opening on back of cart and slide up to desired location.
b. Tighten screws to secure bracket.

a

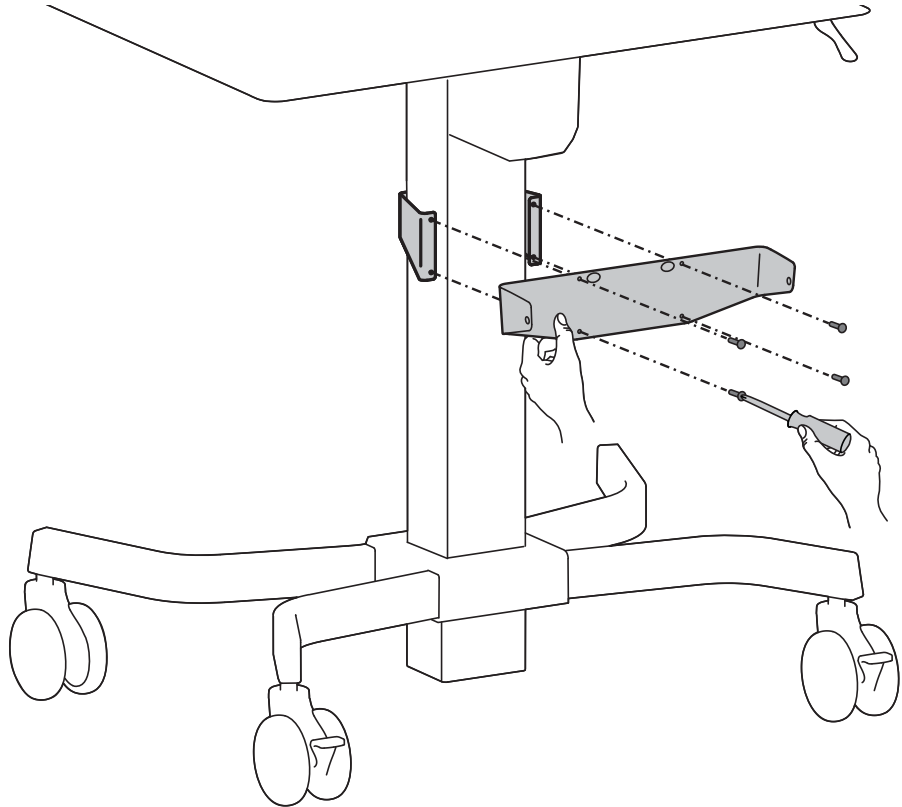


b

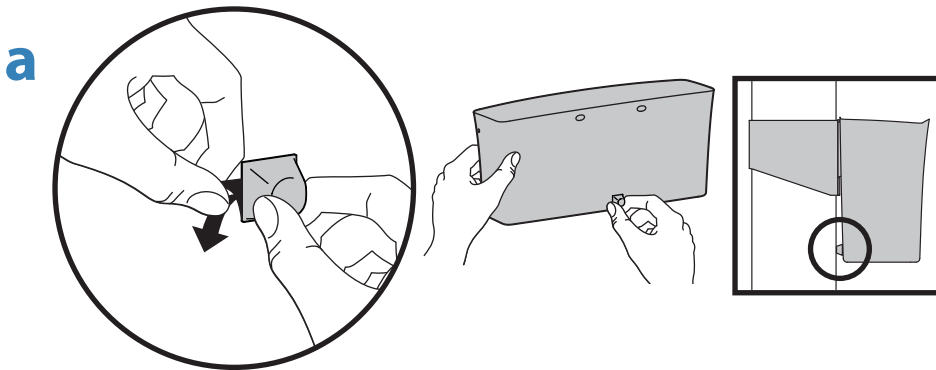


3 Attach front bracket.

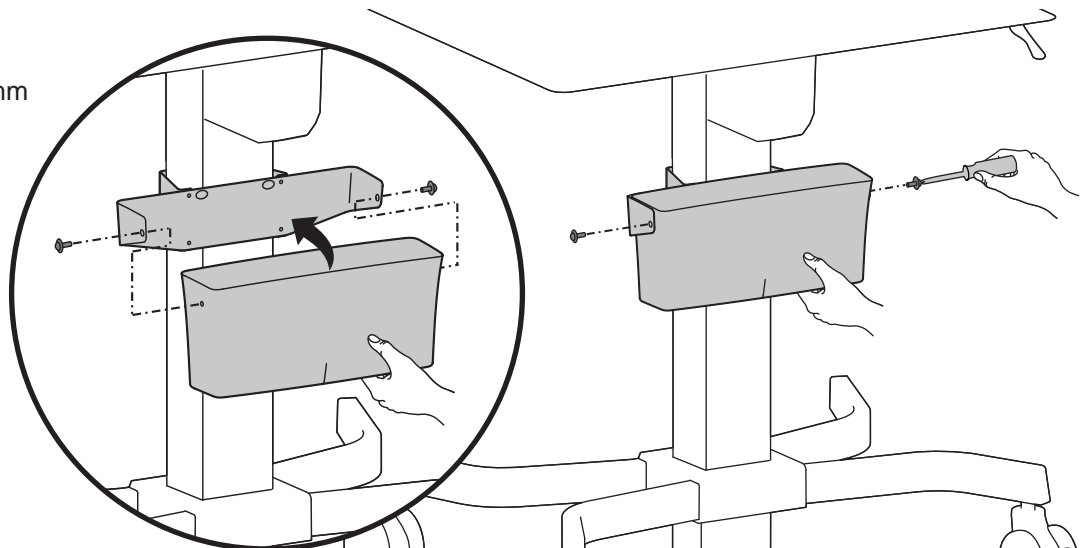
4x 
M4x8mm



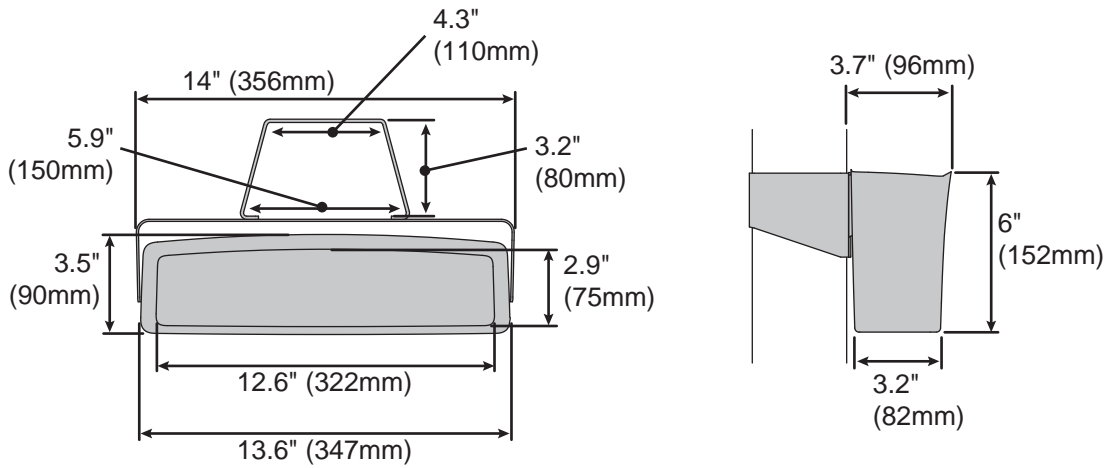
4 a. Peel paper off back of bump-on and adhere to basket at specified location. b. Attach basket to front bracket.



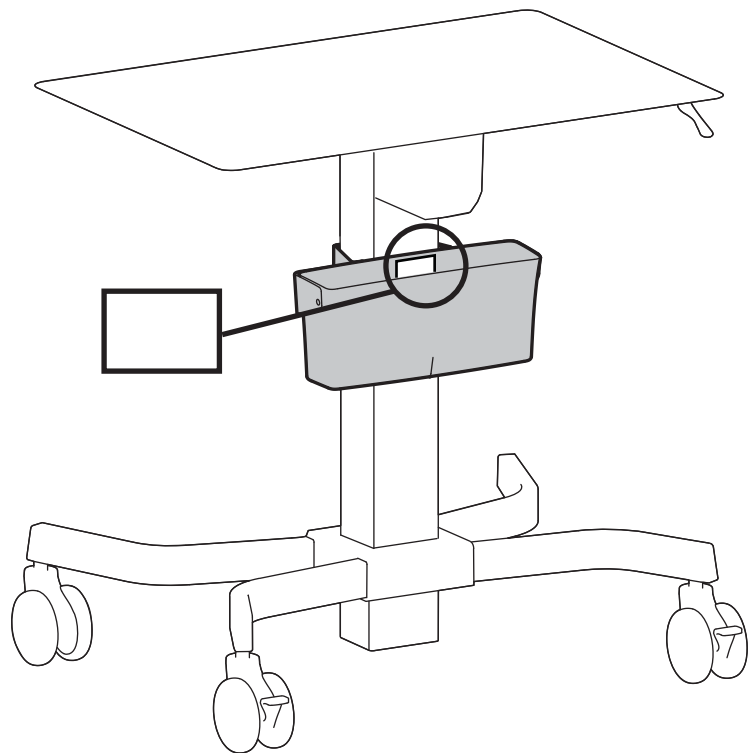
b 2x 
M3x5mm



Dimensions




NOTE: When contacting customer service, reference the serial number.



ENGLISH

For service and warranty visit www.ergotron.com

For local customer care phone numbers visit: <http://contact.ergotron.com>

 © 2013 Ergotron, Inc. All rights reserved.

While Ergotron, Inc. makes every effort to provide accurate and complete information on the installation and use of its products, it will not be held liable for any editorial errors or omissions (including those made in the process of translation from English to another language), or for incidental, special or consequential damages of any nature resulting from furnishing this instruction and performance of equipment in connection with this instruction. Ergotron, Inc. reserves the right to make changes in the product design and/or product documentation without notification to its users. For the most current product information, or to know if this document is available in languages other than those herein, please contact Ergotron. No part of this publication may be reproduced, stored in a retrieval system, or transmitted in any form or by any means, electronic, mechanical, photocopying, recording or otherwise without the prior written consent of Ergotron, Inc., 1181 Trapp Road, Eagan, Minnesota, 55121, USA. Patents Pending and Patented U.S. & Foreign. Ergotron is a registered trademark of Ergotron, Inc.

Americas Sales and Corporate Headquarters **EMEA Sales**

St. Paul, MN USA Amersfoort, The Netherlands
 (800) 888-8458 +31 33 45 45 600
 +1-651-681-7600 www.ergotron.com
 www.ergotron.com info.eu@ergotron.com
 sales@ergotron.com

APAC Sales **Worldwide OEM Sales**

Tokyo, Japan www.ergotron.com
 www.ergotron.com info.oem@ergotron.com
 apaccustomerservice@ergotron.com