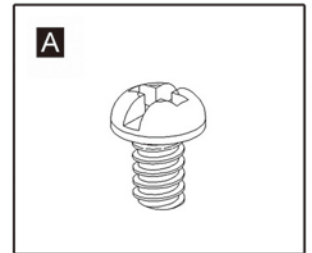
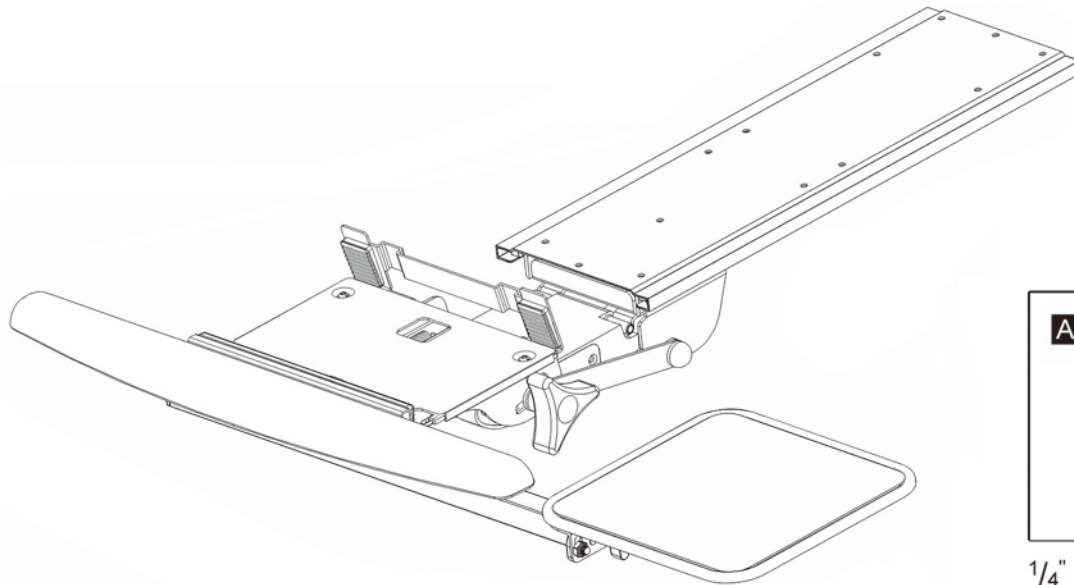
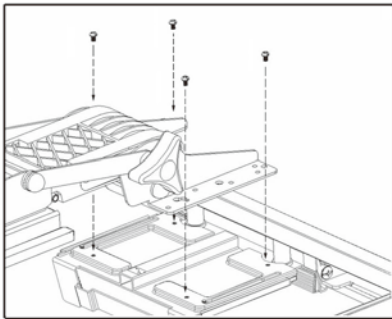


# Installation Manual

Modle #: KFB-5M

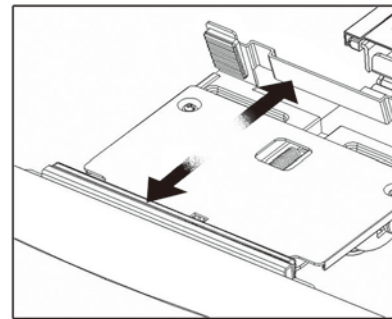


1/4" Brass Machine Screw  
(QTY : 4)



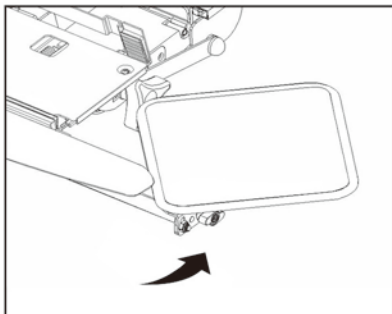
1

Insert screw "A" to fasten Clamp Tray to the arm through holes in arm bracket into threaded holes in the Clamp Tray.



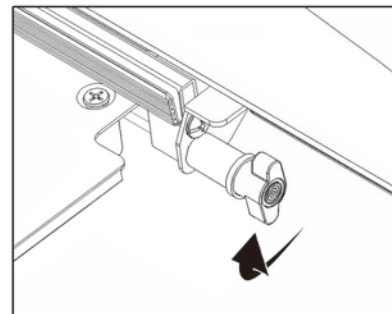
2

Pull out the metal panel and set keyboard in place.



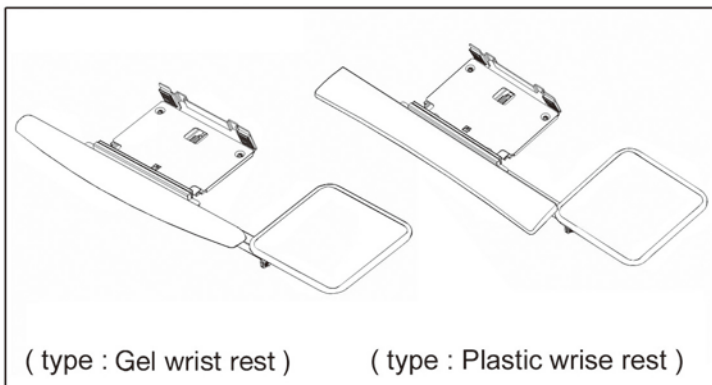
3

Loosen knob to adjust the gel wrist rest and set wrist rest to desired angle and height. Re-tighten adjustable knob.



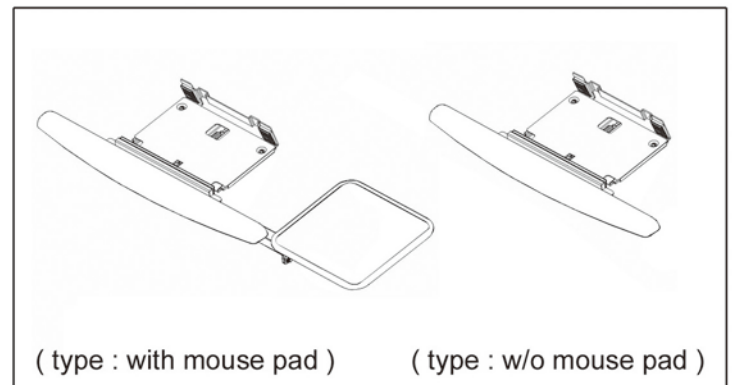
4

Loosen knob to adjust the surface of Optional mouse pad to desired position and angle. Re-tighten the knob.



( type : Gel wrist rest )

( type : Plastic wrist rest )



( type : with mouse pad )

( type : w/o mouse pad )