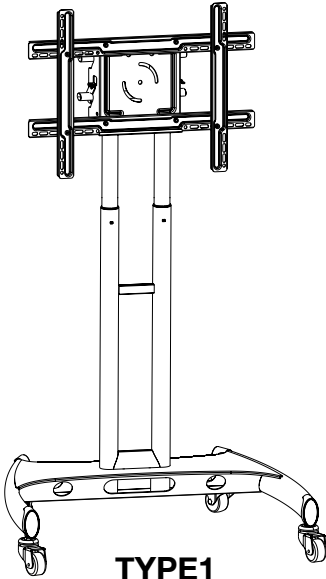


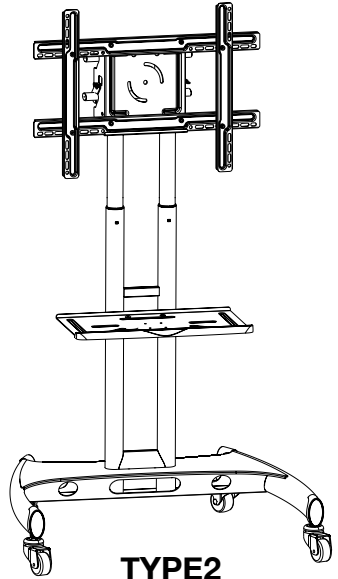
# Flat Panel Series Mobile Stand Instructions

09/23/13



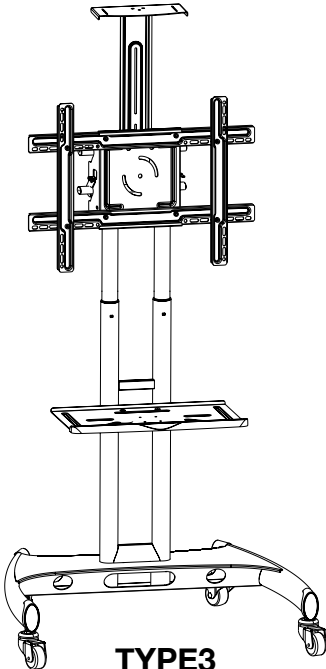
**TYPE1**

Stationary Mount Base Model



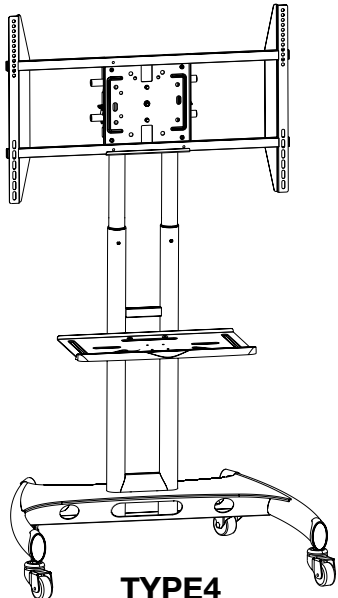
**TYPE2**

Stationary Mount + Shelf



**TYPE3**

Stationary Mount + Shelf +  
Camera Mount



**TYPE4**

Rotating Mount + Shelf

# Table of Contents

Table of Contents and Warnings . . . . .	2
Part List . . . . .	3
<u>Assembly and Installation</u>	
Adjust upper and lower poles . . . . .	4
Attaching to the base assembly . . . . .	5
Install steel cross rods. . . . .	6
Height adjustment. . . . .	6
Media shelf assembly . . . . .	7
Assemble flat panel mount . . . . .	8-9
Install mount to the frame . . . . .	10
Install camera mount. . . . .	11
Cable and wire installation . . . . .	11
VESA mounting patterns. . . . .	12

## Tools Required

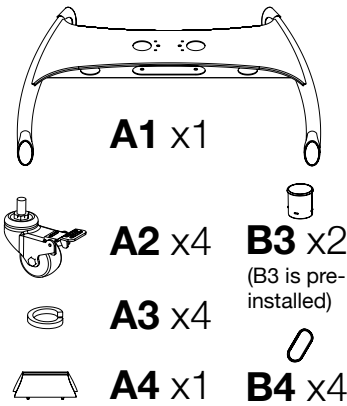
- Phillips Screwdriver
- Wrench

## **WARNING!**

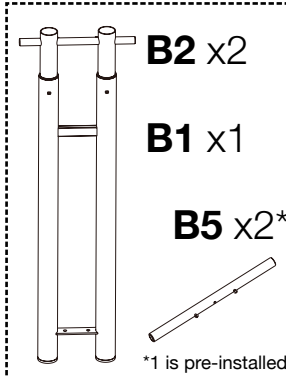
Severe personal injury and property damage can result from improper installation. Read instructions carefully before beginning.

- If you do not understand the instructions or have any concerns please contact a qualified local installer.
- Do not install or assemble if the product or hardware is damaged or missing, if you require replacement parts contact your local dealer.
- This product fits most 40"– 60" flat panel displays; maximum weight for the display is 100 lbs. / 45.5kg.
- Do not use this product for anything other than what it was originally designed.
- This product contains moving parts, please use caution.
- The manufacturer disclaims any liability for the modifications, improper installation and installation exceeding maximum weight capacity. The manufacturer will not be liable for any damages arising out of the use of, or inability to use the product.

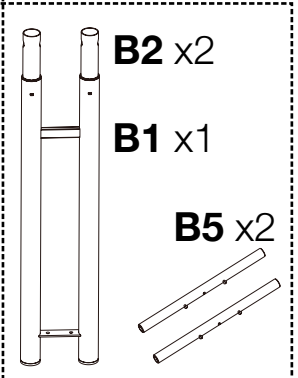
# Part List



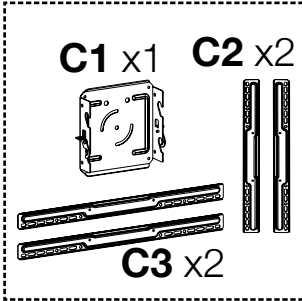
TYPE1, TYPE2, TYPE3



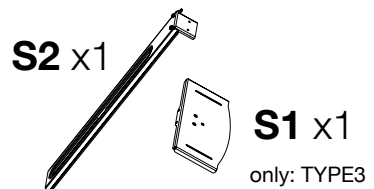
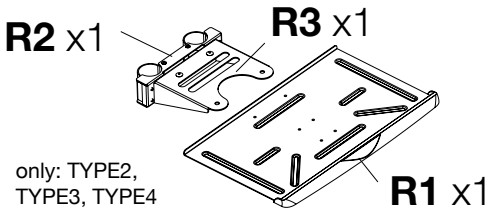
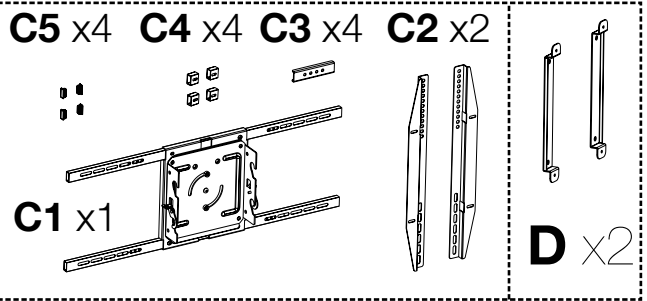
TYPE4



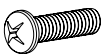
TYPE1, TYPE2, TYPE3



TYPE4



M8x25mm



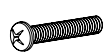
**G** x4

M6x25mm



**H** x4

M5x25mm



**J** x4

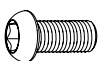


**E** x4



**F** x4

M8x20mm



**K** x4

M5x10mm



**N** x2

only: TYPE3

M6x10mm



**T** x8

only: TYPE1, TYPE2, TYPE3



**P** x2

only: TYPE3



**L** x1

only: TYPE2, TYPE3, TYPE4

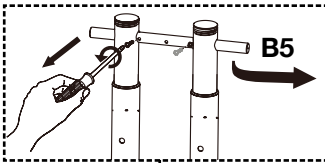


**M** x1

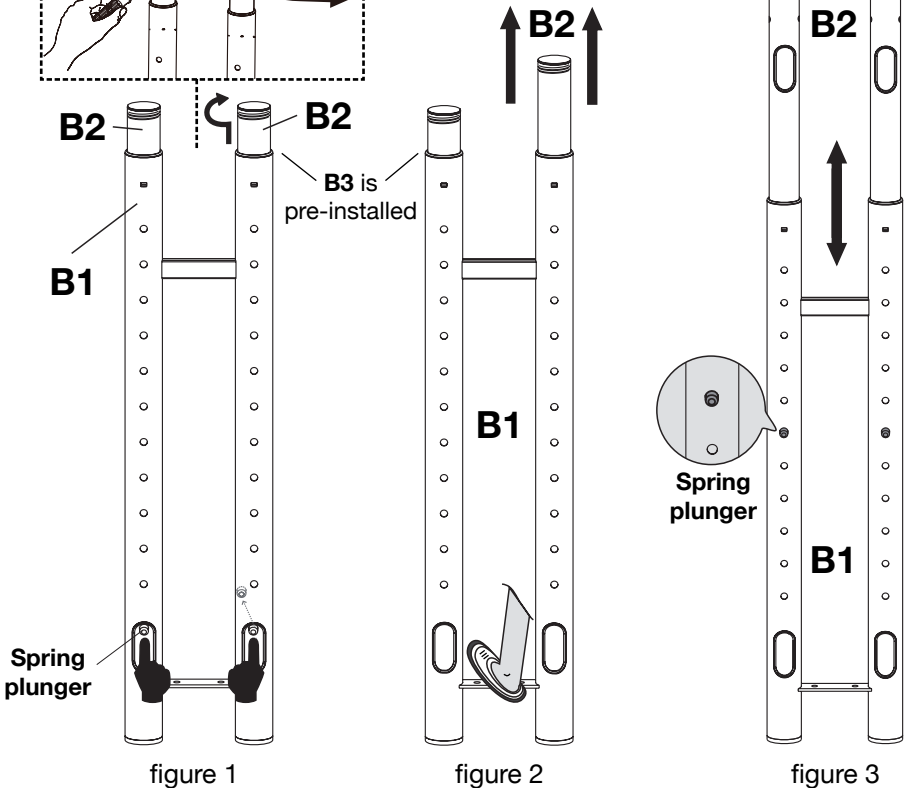
# 1 Adjust upper and lower poles

- 1 Locate the spring plungers inside the bottom grommet hole of pole **B1** (If your unit has **B5** cross bar pre-installed remove prior). Starting with the right side pole **B2**, push the spring plunger down and pull **B2** up slightly and twist it slightly so that the spring plunger remains offset. This will make adjusting the pole easier. (figure 1)
- 2 Hold the poles **B1** & **B2** with your hands and use your left foot on the cross bridge of **B1** for stability. Pull **B2** upward until you reach your desired height. Twist **B2** so that the spring plunger locks into the nearest spring plunger hole. (figure 2)
- 3 Repeat the same steps for the left side pole **B2** but use your right foot for stability instead. Align poles **B2** and lock the spring plunger into place. (figure 3)

Only for TYPE1, TYPE2, TYPE3



Remove **B5** before step 1.

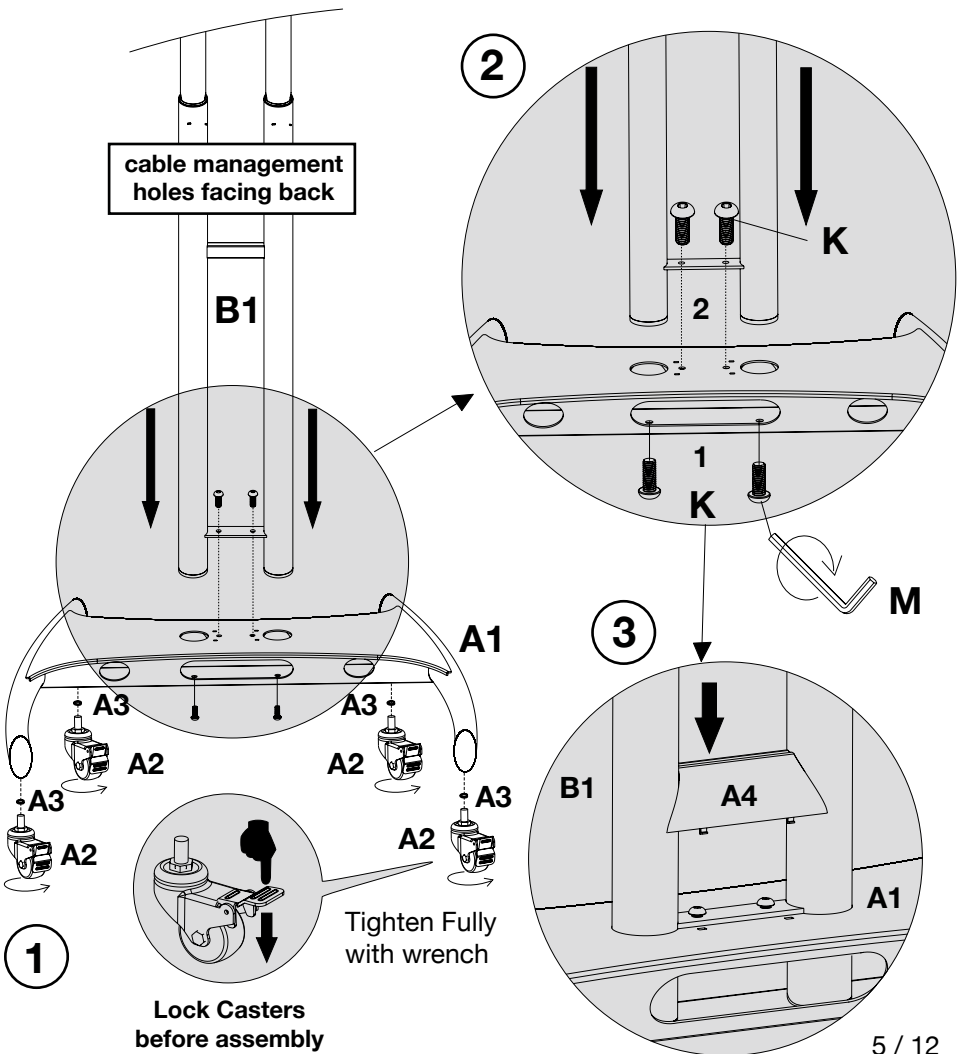


Lift pole assembly so that the part remains upright and the cable management holes are facing toward you.

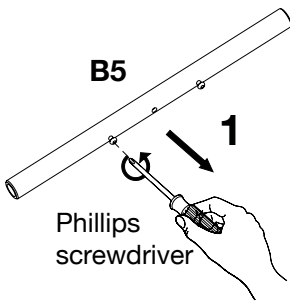
## 2

# Attaching to the base assembly

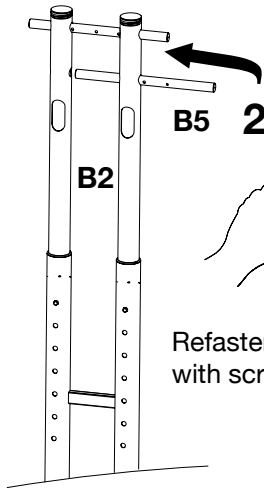
- 1 Thread casters **A2** and washer **A3** into the bottom of base **A1**. Make sure all casters are locked to prevent movement during installation.
- 2 With allen wrench **M** attach lower poles **B1** to base **A1** with screw **K**. First through the bottom of base **A1**, then through the top of base **A**.
- 3 After screws **K** are firmly fastened, push down the screw cover **A4** until it locks into place.



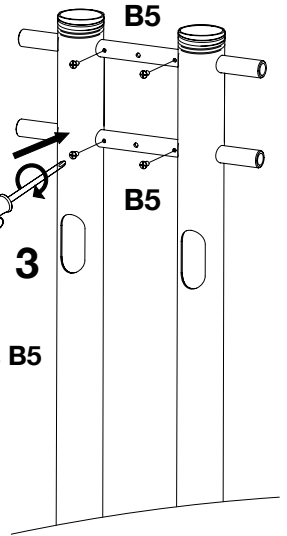
### 3 Install steel cross rods



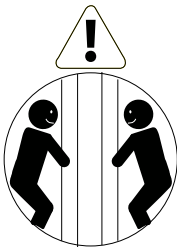
Remove the pre-installed screws on rod **B5**. Making sure the upper poles **B2** are aligned, slide rods **B5** into the top openings.



Refasten rods **B5** with screws.

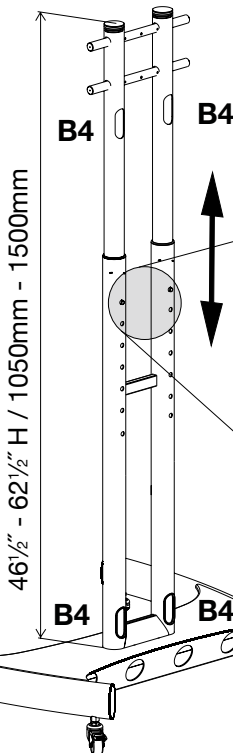


### 4 Height adjustment

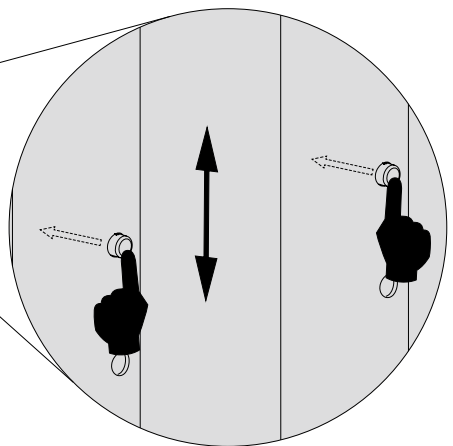


**Assistance  
Required**

**Cables  
Unplugged**



Slide the upper poles **B2** up or down to the different spring plunger holes for your desired height. Install grommet covers **B4** into the grommet holes.

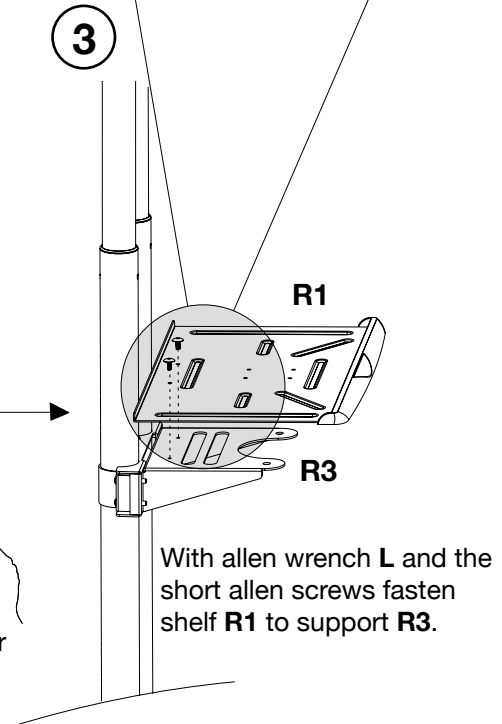
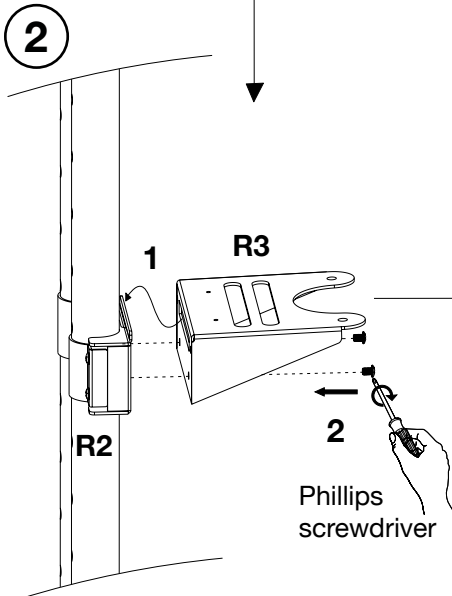
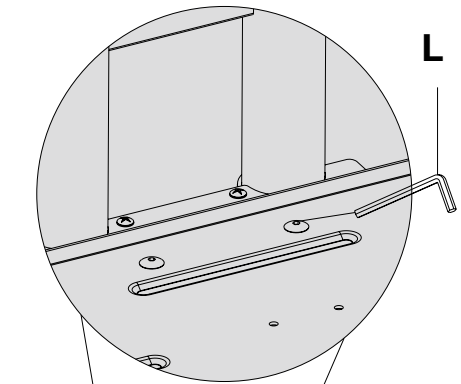
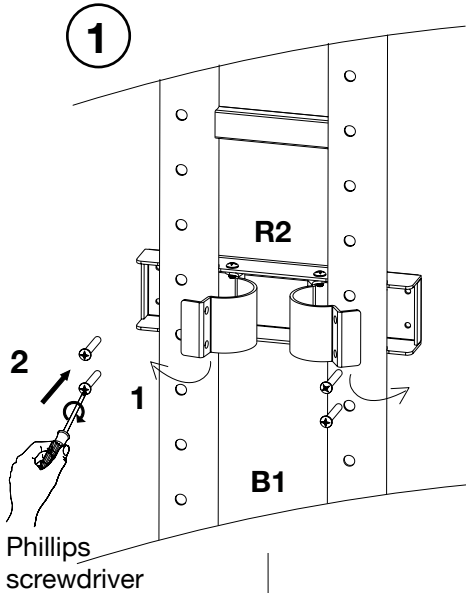


Press and hold both spring plungers to slide the upper poles **B2**.

**5****Media shelf assembly (TYPE2, TYPE3, TYPE4)**

Before assembly make sure there is enough clearance for the flat panel display

Remove the pre-installed screws on bracket **R2**. Align bracket **R2** to desired position and clamp **R2** then retighten the long screws.

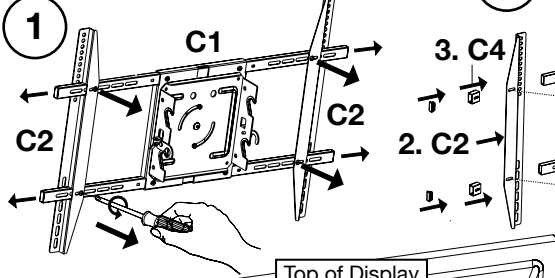


Using the short screws fasten bracket **R2** to support **R3**.

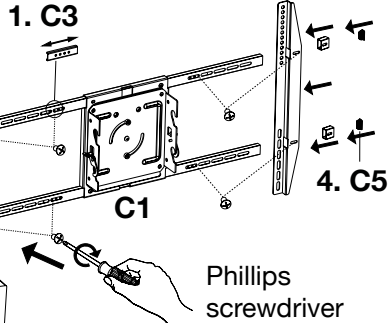
# 6a

## Assemble flat panel mount (TYPE4)

VESA: 200x400 - 400x400mm



2



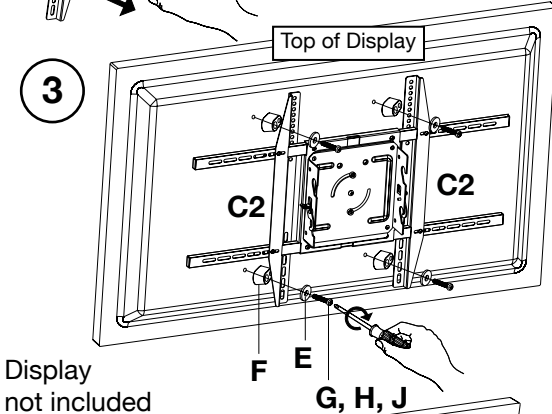
Phillips screwdriver

**For a selection of mounting positions refer to page 12**

First unscrew and remove the vertical supports **C2** from mount **C1**.

Align the screw threads **C3** to the desired vertical support position of **C2**. Screw support **C2** into **C1** and **C3**. Insert support stoppers **C4** followed by caps **C5**.

Carefully attach mount to display using screws **G, H** or **J**. Through washer **E**, support **C2** and spacer **F**.



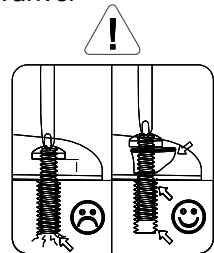
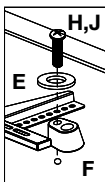
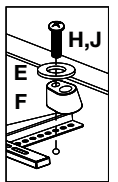
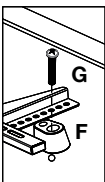
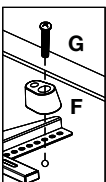
Display not included

Phillips screwdriver

VESA: 400x600 - 500x800mm

M8x25mm (G)

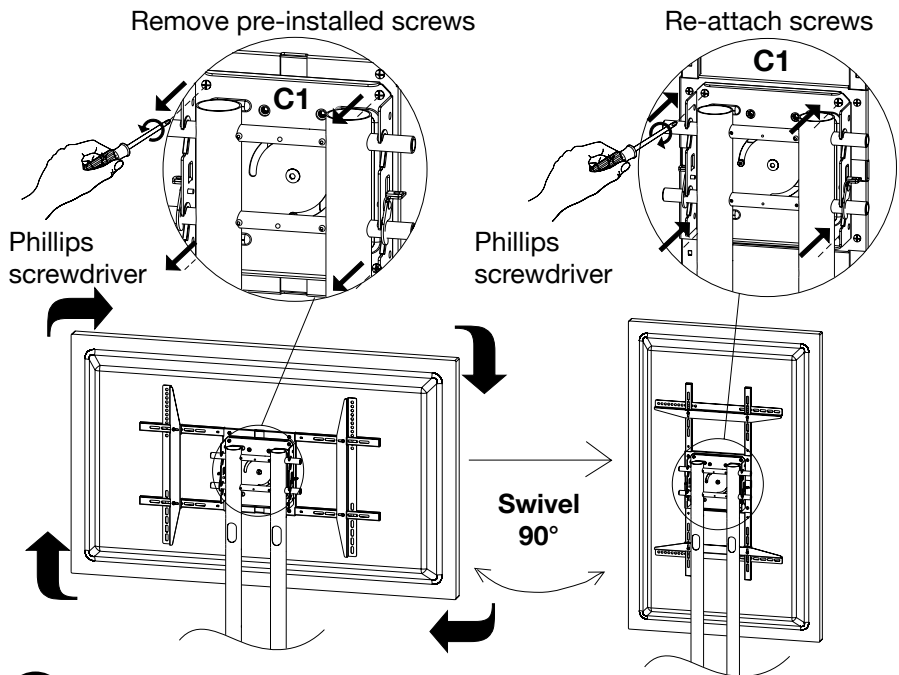
M5x25mm (H)  
M6x25mm (J)



**Plastic spacers must be used to avoid any damage from screws**



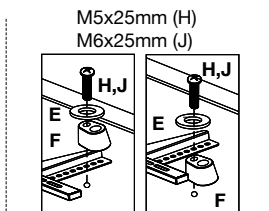
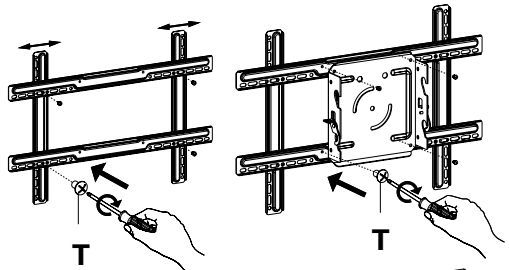
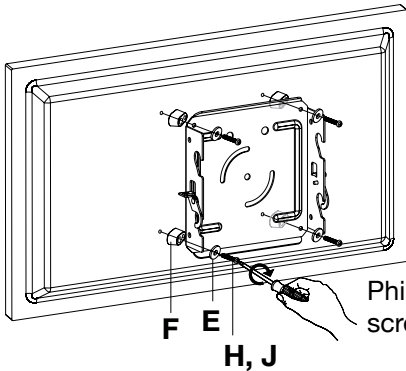
## Adjusting the mount (TYPE4) - After Step 7



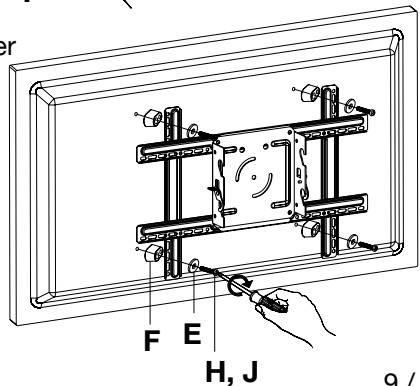
## 6b Assemble flat panel mount (TYPE1, TYPE2, TYPE3)

VESA: 200x200mm

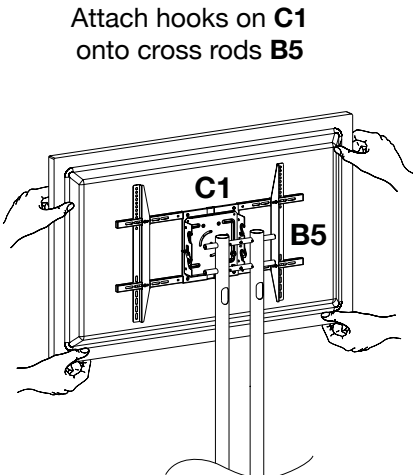
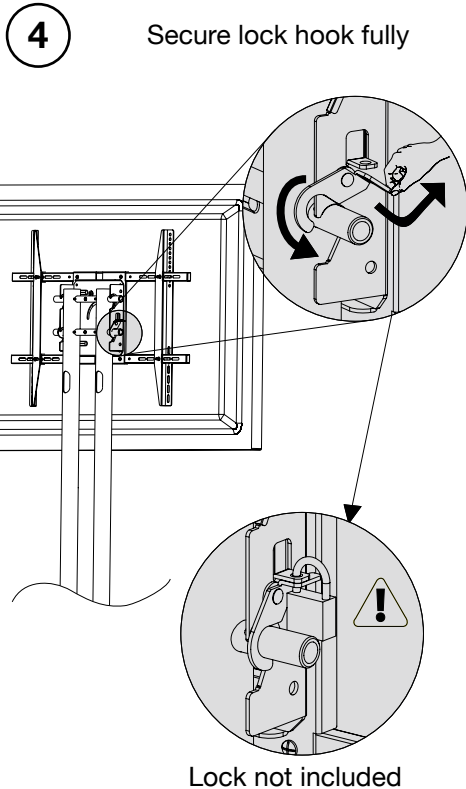
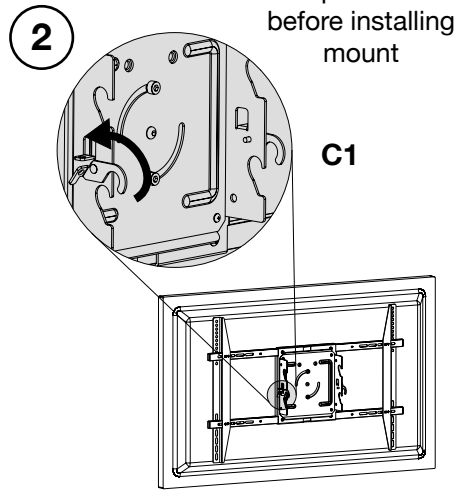
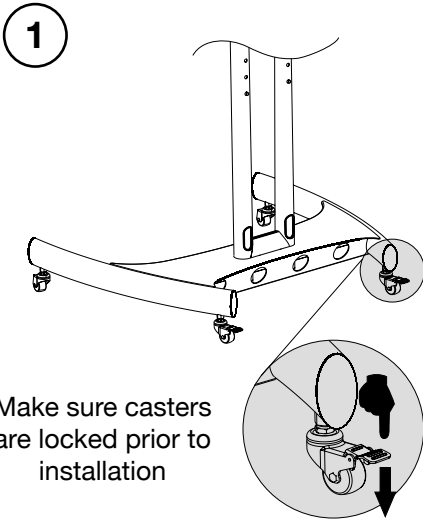
VESA: 200x200 - 600x400mm



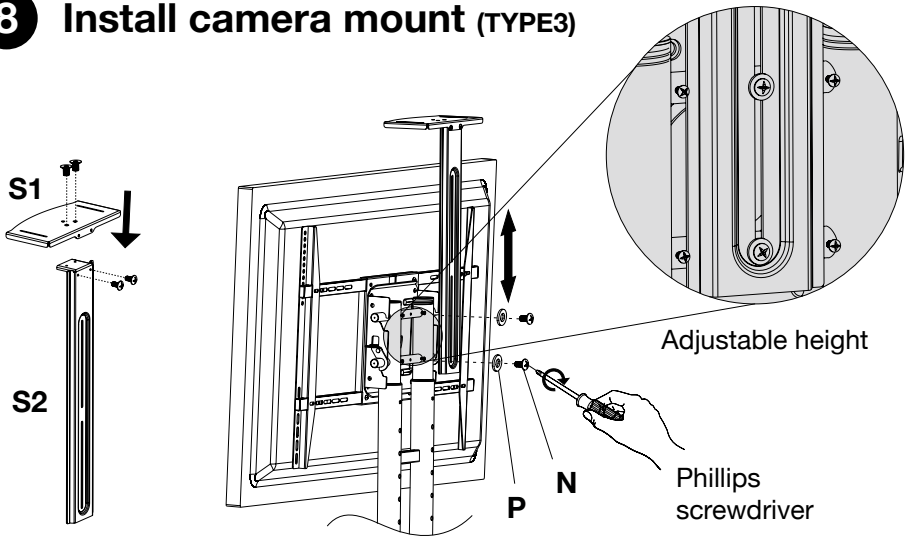
Safety Precautions



# 7 Install mount to frame

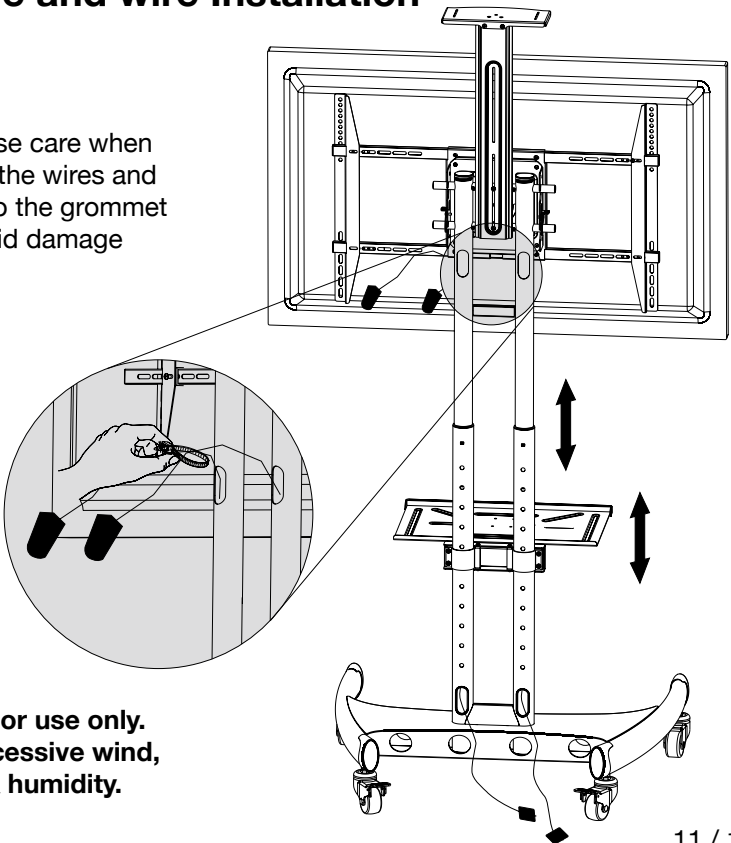


## 8 Install camera mount (TYPE3)



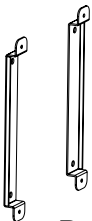
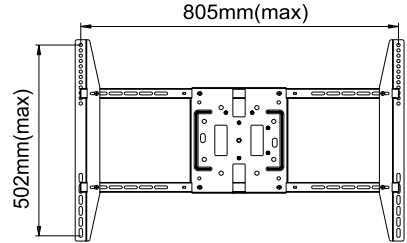
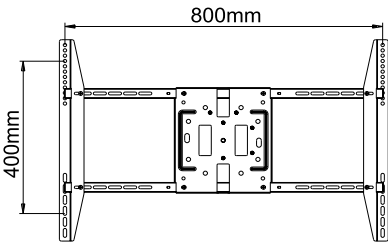
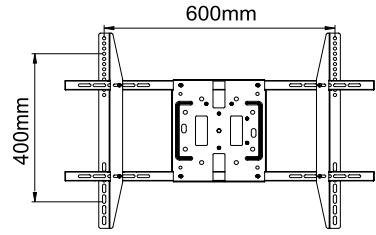
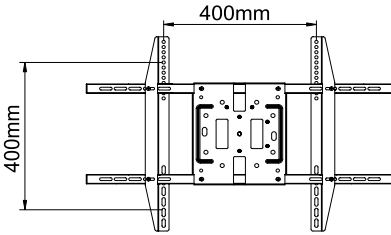
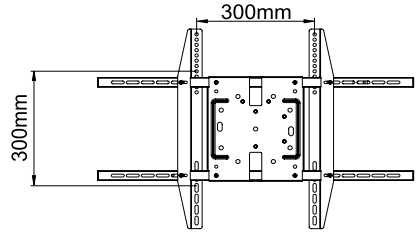
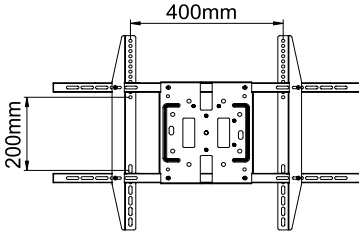
## 9 Cable and wire Installation

Please use care when inserting the wires and cables into the grommet to avoid damage

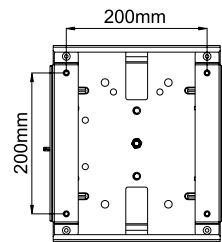
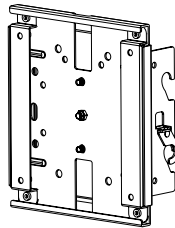


# 10 VESA mounting patterns

Slide vertical support rails to find the best assembly position for your display.



**D**



For 200x200mm VESA mounting position use brackets **D**.