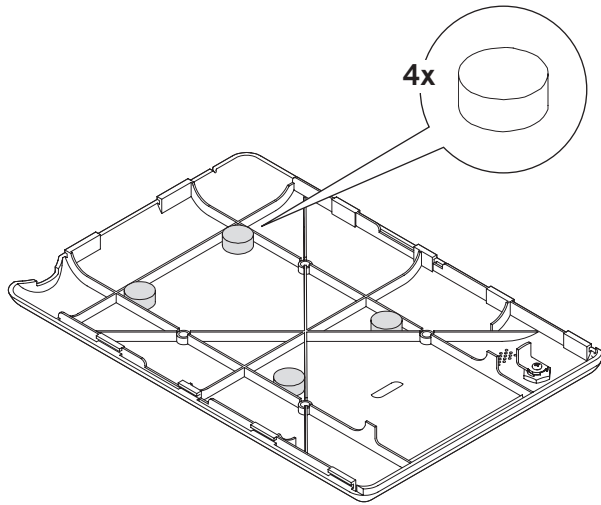
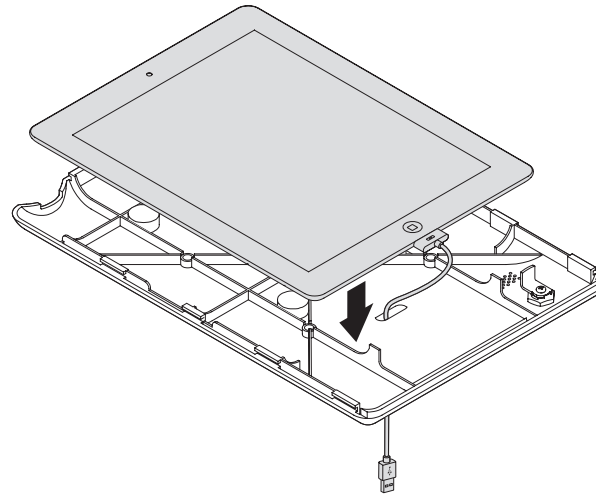


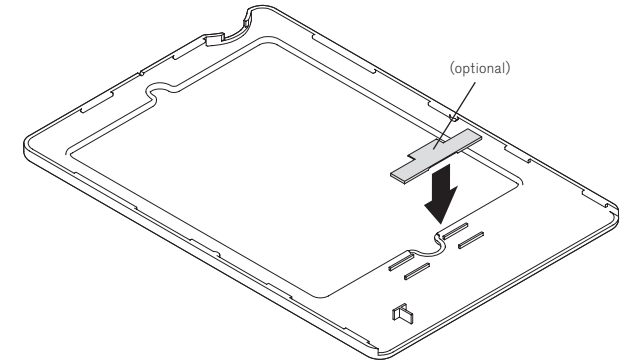
1



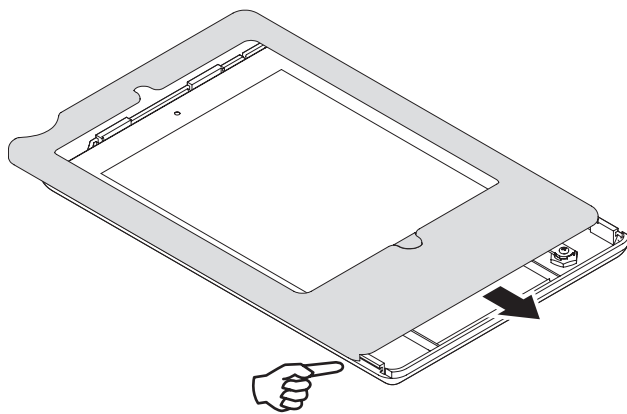
2



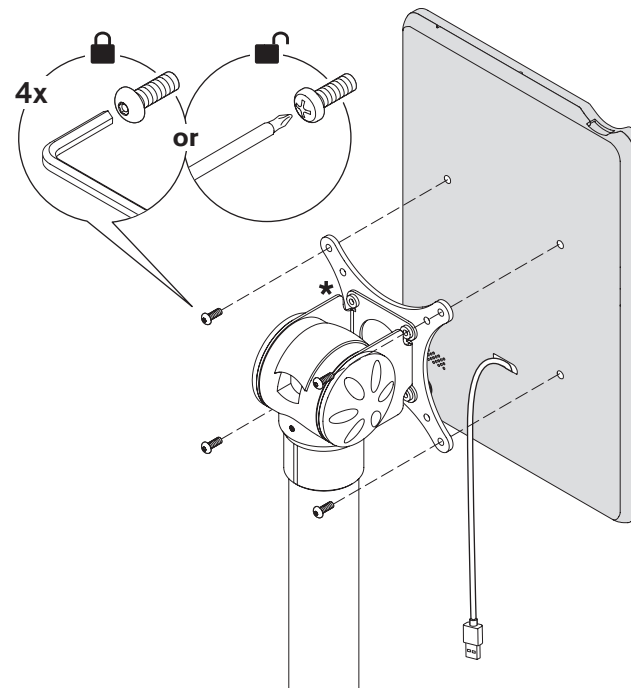
3



4



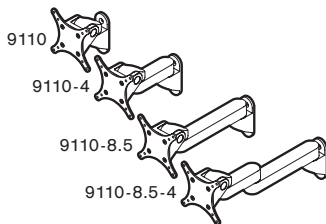
5



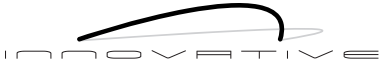
\* Arm sold separately.

# MODEL 9110

## Installation Instructions


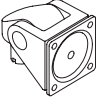
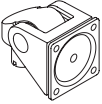


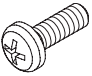
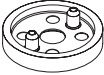




<p><b>1</b></p> <p>* Hardware not included.</p>	<p><b>2</b></p>
<p><b>3</b></p>	<p><b>4</b></p>
<p><b>5</b></p>	<p>800.524.2744 www.LCDarms.com</p>



# MODEL 9110

## Parts List

ITEM	DESCRIPTION / PART NO.	QUANTITY		
		9110	9110-4 & 9110-8.5	9110-8.5-4
A	 <b>Wall Mount</b> RP406795	1	1	1
B	 <b>Monitor Tilter</b> 405397	1	1	1
C	 <b>Spring-Assisted Monitor Tilter</b> (9110-HD only) 407747	1	1	1
D	 <b>75mm/100mm VESA® Adapter Plate</b> 105587	1	1	1
E	 <b>10-32 x 3/8" Phillips Flat Head Screw</b> 702281	1 (4-pack)	1 (4-pack)	1 (4-pack)
F	 <b>M4-12 Phillips Pan Head Screw</b> 702096	1 (4-pack)	1 (4-pack)	1 (4-pack)
G	 <b>Dog Washer</b> 105189	1	2	3
H	 <b>10-32 x 3/8" FPhMS w/Lock Patch</b> 705198	1	2	3
I	 <b>7/32" Allen Wrench</b> 701127	1	1	1