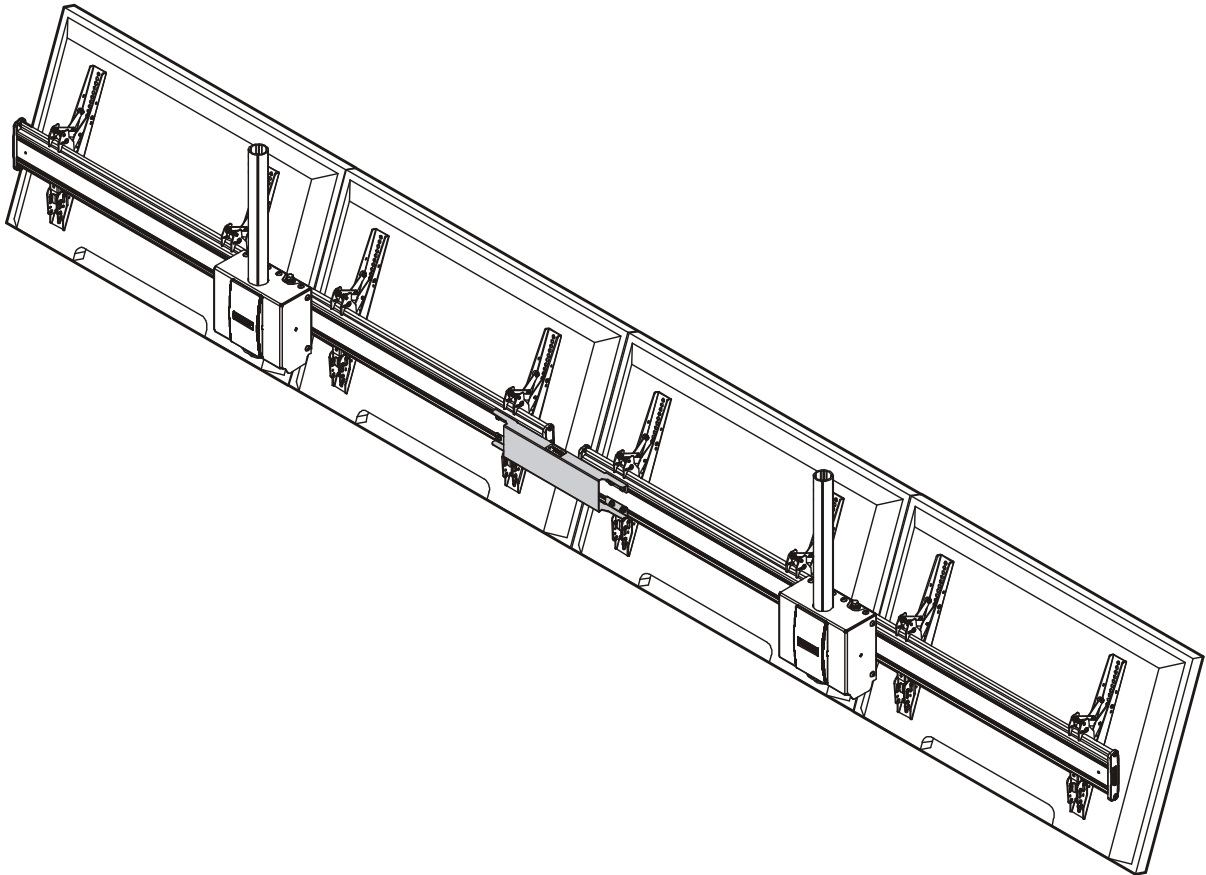

INSTALLATION INSTRUCTIONS




Ceiling Mount Extrusion Connector


DISCLAIMER


Milestone AV Technologies and its affiliated corporations and subsidiaries (collectively "Milestone"), intend to make this manual accurate and complete. However, Milestone makes no claim that the information contained herein covers all details, conditions or variations, nor does it provide for every possible contingency in connection with the installation or use of this product. The information contained in this document is subject to change without notice or obligation of any kind. Milestone makes no representation of warranty, expressed or implied, regarding the information contained herein. Milestone assumes no responsibility for accuracy, completeness or sufficiency of the information contained in this document.


Chief® is a registered trademark of Milestone AV Technologies. All rights reserved.


 **IMPORTANT SAFETY INSTRUCTIONS**


 **WARNING:** A WARNING alerts you to the possibility of serious injury or death if you do not follow the instructions.

 **CAUTION:** A CAUTION alerts you to the possibility of damage or destruction of equipment if you do not follow the corresponding instructions.

 **WARNING:** Failure to read, thoroughly understand, and follow all instructions can result in serious personal injury, damage to equipment, or voiding of factory warranty! It is the installer's responsibility to make sure all components are properly assembled and installed using the instructions provided.

 **WARNING:** Exceeding the weight capacity can result in serious personal injury or damage to equipment! Adding the FCAC connector accessory does NOT change the weight capacity listed for the mount. Consult (Table 1) for mounting system's weight capacity details.

 **WARNING:** Use this accessory only for its intended use as described in these instructions. Do not use attachments not recommended by the manufacturer.

 **WARNING:** Never operate this accessory if it is damaged. Return the accessory to a service center for examination and repair.



 **WARNING:** Do not use this product outdoors.

Table 1: Weight Capacities

MODEL	Max Weight Allowed for EACH Display	Max Weight Capacity of Mounting System
LCM2X2U	125 lbs (56.7 kg)	500 lbs (226.8 kg)
LCM3X2U	125 lbs (56.7 kg)	750 lbs (340.2 kg)
LCM3X3U	85 lbs (38.6 kg)	765 lbs (347.0 kg)
LCM2X1U	125 lbs (56.7 kg)	250 lbs (113.4 kg)
LCM2X1UP	125 lbs (56.7 kg)	250 lbs (113.4 kg)
LCM3X1U	125 lbs (56.7 kg)	375 lbs (170.1 kg)
LCM3X1UP	125 lbs (56.7 kg)	375 lbs (170.1 kg)

 **WARNING:** Displays may **NOT** be attached to the FCAC **OR** mounted across the FCAC. The FCAC is **NOT** intended to be a load-bearing accessory.

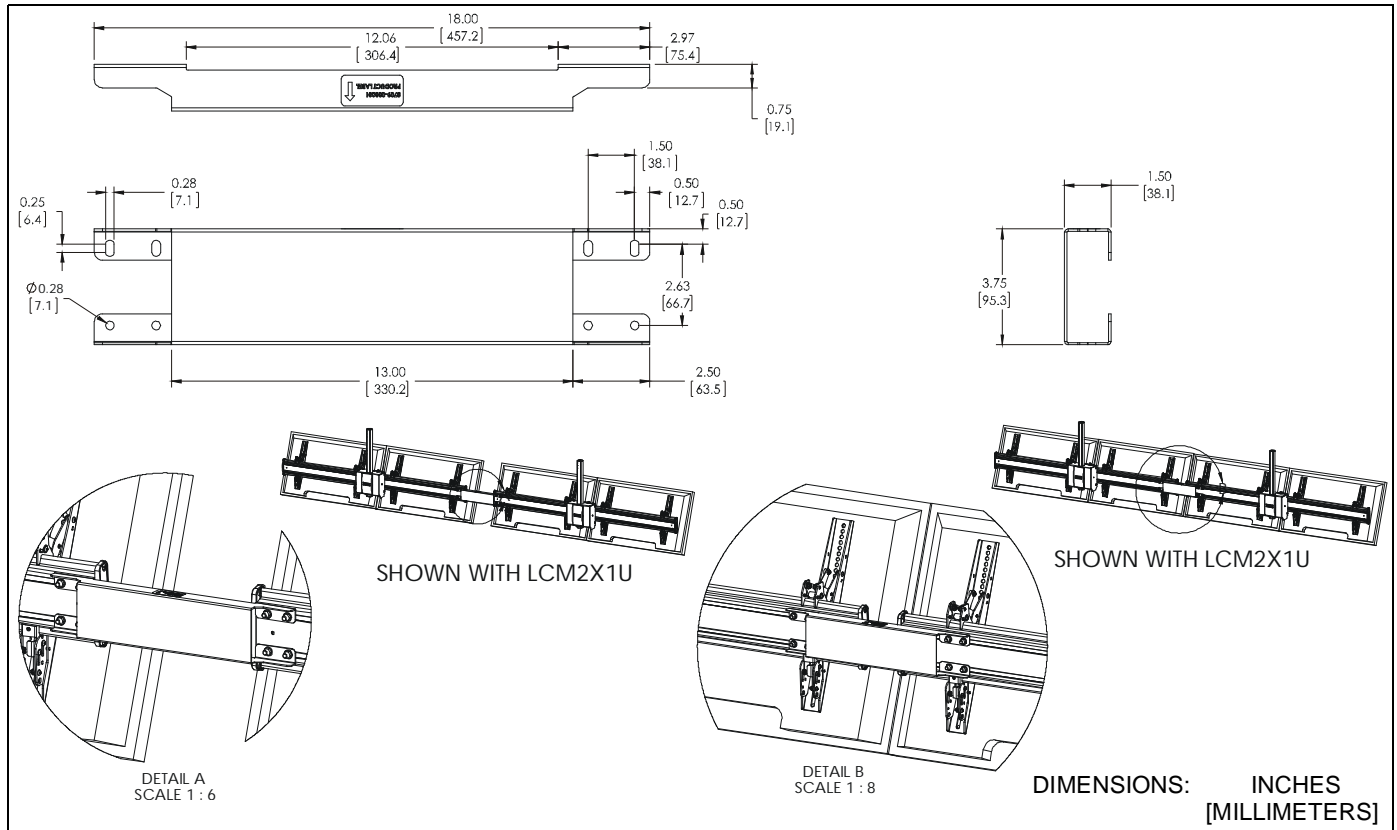
NOTE: The FCAC is intended to assist with alignment of LCM menu boards and ceiling mounted video walls.

NOTE: The FCAC is intended to be used with:

- LCM Ceiling Mounted Menu Boards Series
- LCM Ceiling Mounted Video Walls Series

--SAVE THESE INSTRUCTIONS--

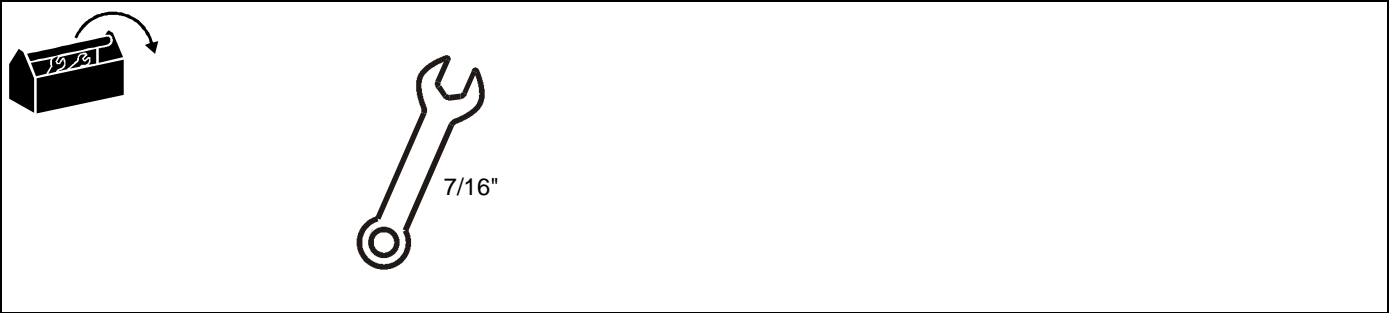
DIMENSIONS



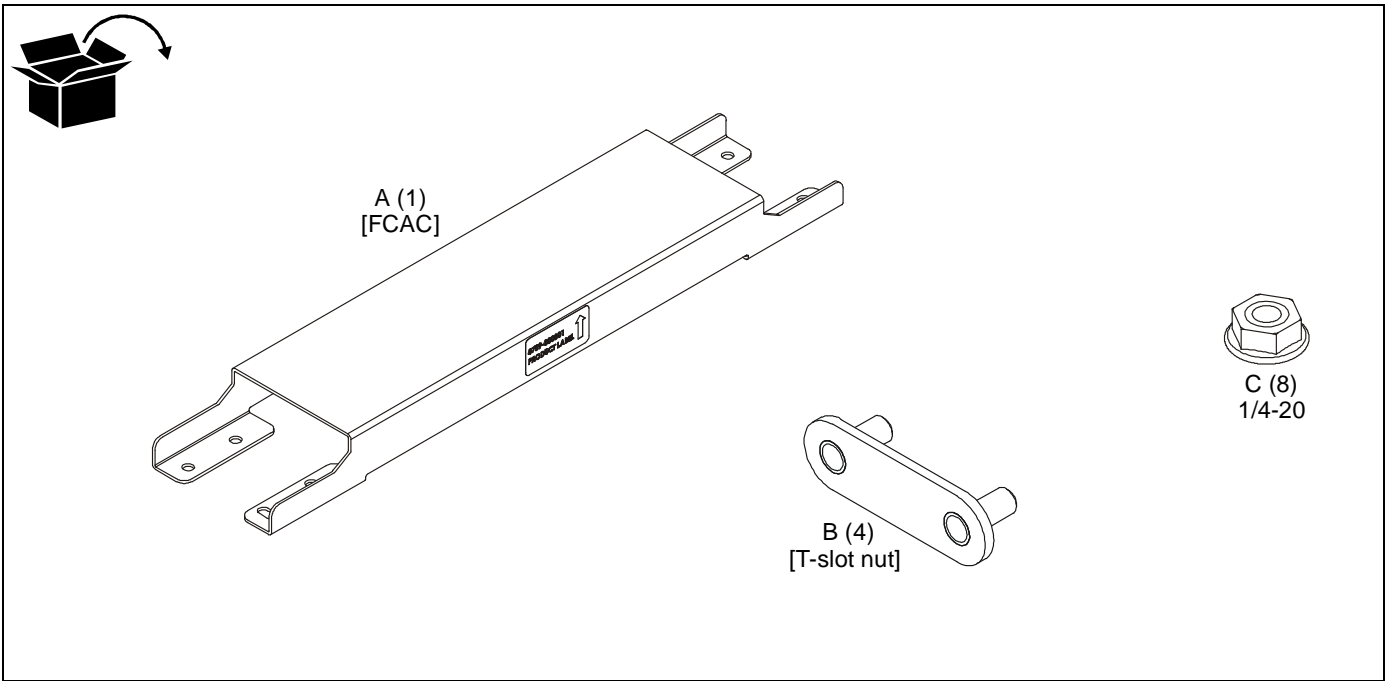
LEGEND

	Tighten Fastener		Phillips Screwdriver
	Apretar elemento de fijación		Destornillador Phillips
	Befestigungsteil festziehen		Kreuzschlitzschraubendreher
	Apertar fixador		Chave de fendas Phillips
	Serrare il fissaggio		Cacciavite a stella
	Bevestiging vastdraaien		Kruiskopschroevendraaier
Serrez les fixations	Tournevis à pointe cruciforme		
	Loosen Fastener		Hex-Head Wrench
	Aflojar elemento de fijación		Llave de cabeza hexagonal
	Befestigungsteil lösen		Sechskantschlüssel
	Desapertar fixador		Chave de cabeça sextavada
	Allentare il fissaggio		Chiave esagonale
	Bevestiging losdraaien		Zeskantsleutel
Desserrez les fixations	Clé à tête hexagonale		

TOOLS REQUIRED FOR INSTALLATION



PARTS



INSTALLATION

NOTE: The FCAC is intended to assist with alignment of LCM menu boards and ceiling mounted video walls.



WARNING: Displays may **NOT** be attached to the FCAC **OR** mounted across the FCAC. The FCAC is **NOT** intended to be a load-bearing accessory.

1. Assemble LCM Ceiling Mounted Menu Boards Series or LCM Ceiling Mounted Video Walls Series, according to included installation instructions.
2. Rotate end cap on one end of rail by loosening one screw and removing one screw holding end cap to rail. (See Figure 1)
3. Repeat Step 2 for end of adjacent rail. (See Figure 1)

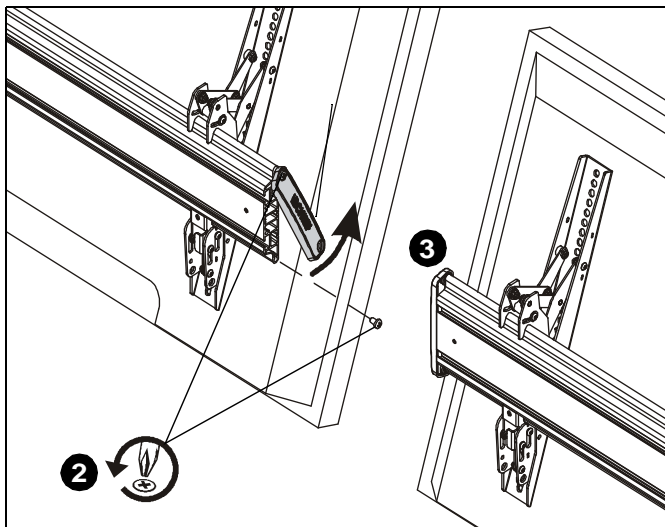


Figure 1

4. Insert two T-slot nuts (B) into rail. (See Figure 2)
5. Rotate end cap back into position and fasten with screws loosened or removed in Steps 2 and 3. (See Figure 2)
6. Repeat Steps 4 and 5 for end of adjacent rail. (See Figure 2)

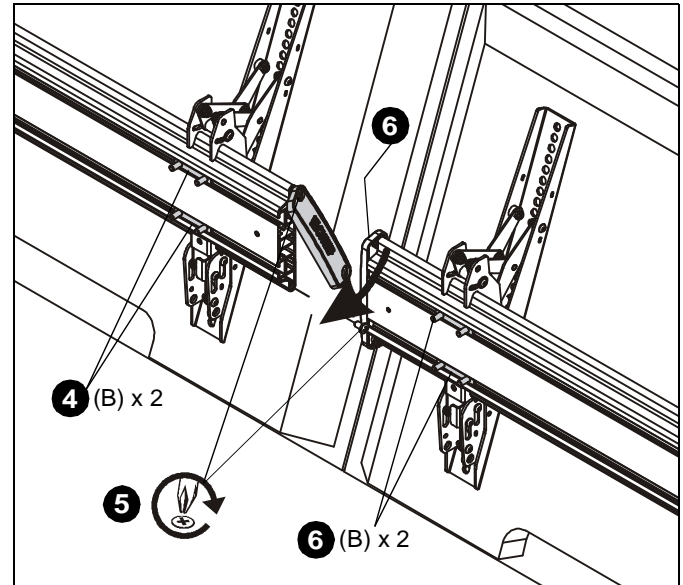


Figure 2

- Attach FCAC (A) to T-slot nuts (B) using eight 1/4-20 hex nuts (C). (See Figure 3)

NOTE: See the maximum spacing and minimum spacing examples of the FCAC. (See Figure 3)

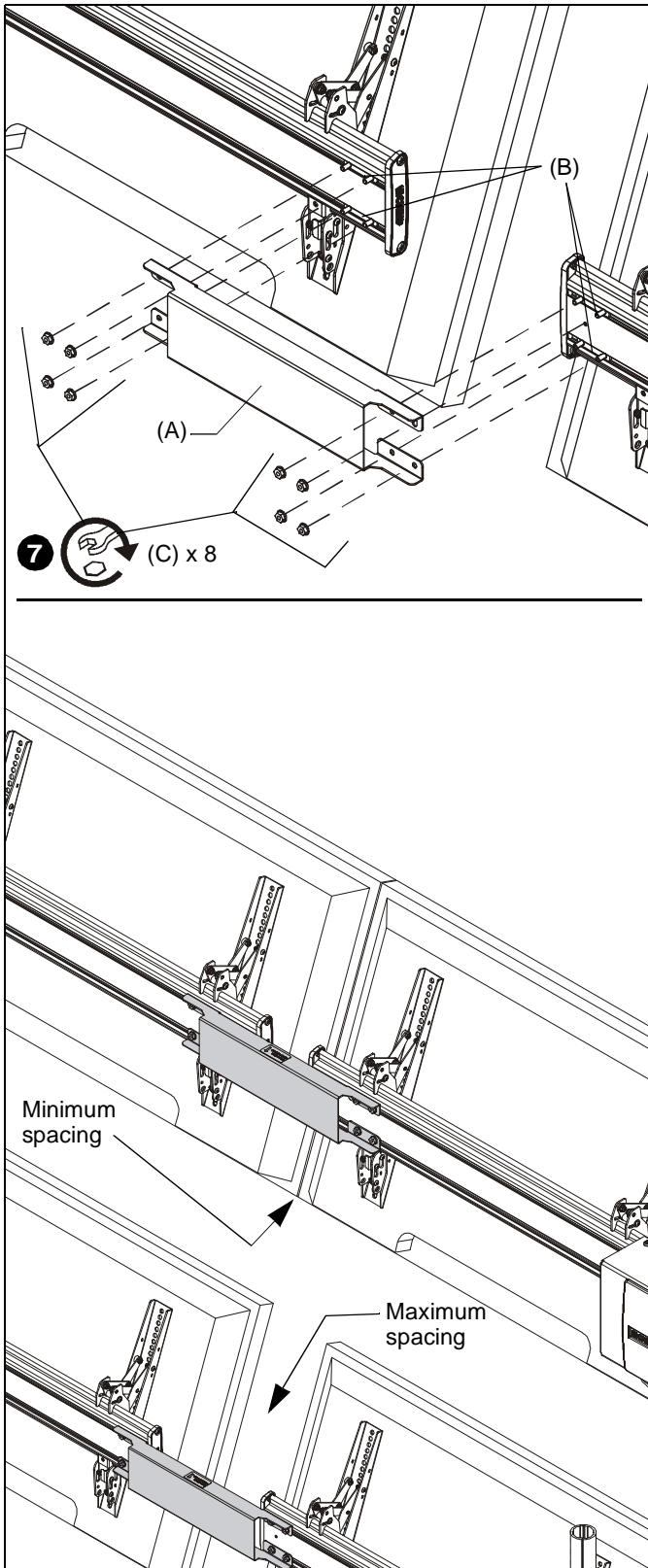


Figure 3



Our Mounts. **Your Vision.**

Chief Manufacturing, a products division
of Milestone AV Technologies

8800-002514 Rev00
©2013 Milestone AV Technologies, a
Duchossois Group Company
www.chiefmfg.com
12/13

USA/International	A 6436 City West Parkway, Eden Prairie, MN 55344 P 800.582.6480 / 952.225.6000 F 877.894.6918 / 952.894.6918
Europe	A Franklinstraat 14, 6003 DK Weert, Netherlands P +31 (0) 495 580 852 F +31 (0) 495 580 845
Asia Pacific	A Office No. 1 on 12/F, Shatin Galleria 18-24 Shan Mei Street Fotan, Shatin, Hong Kong P 852 2145 4099 F 852 2145 4477

