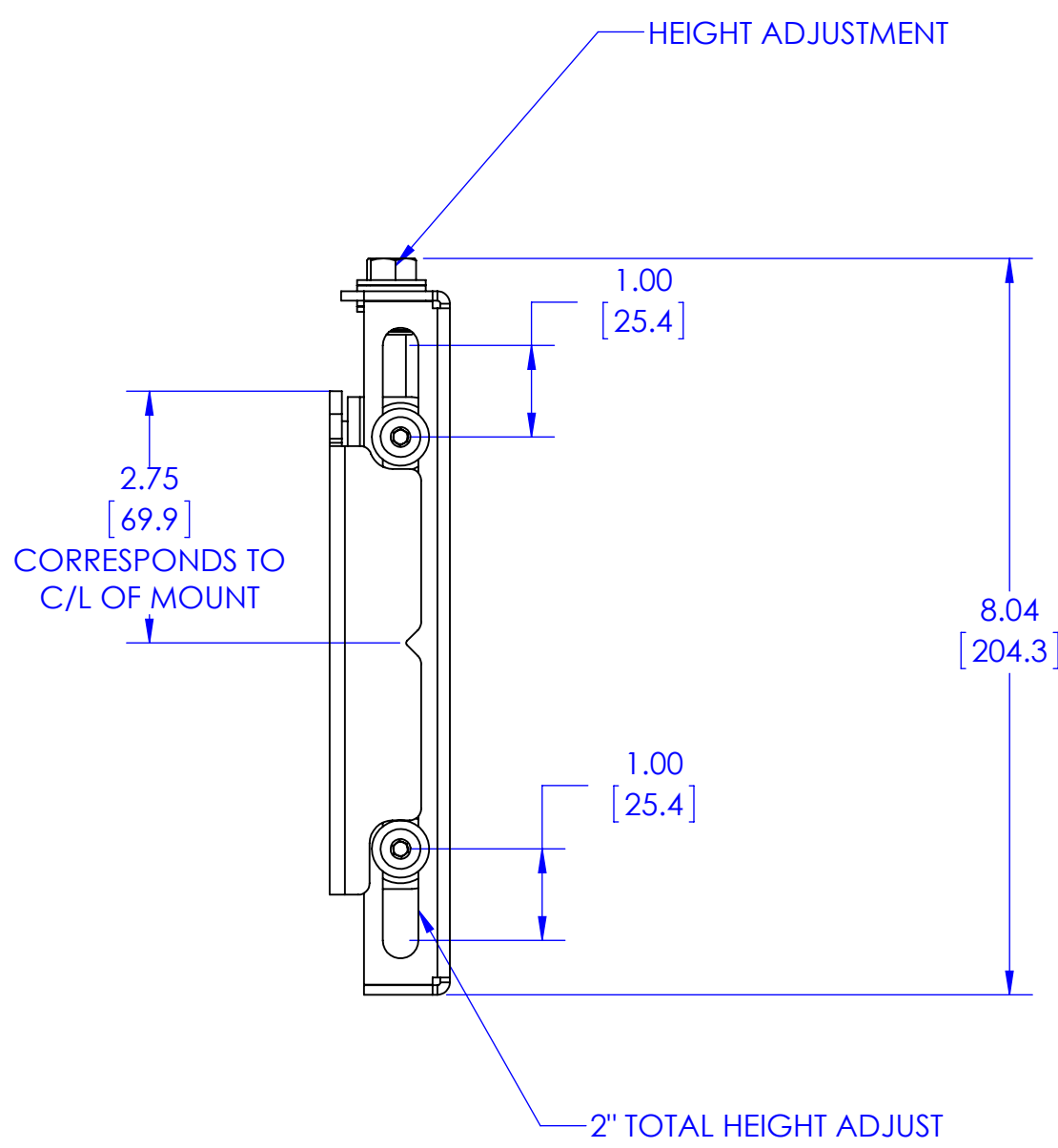
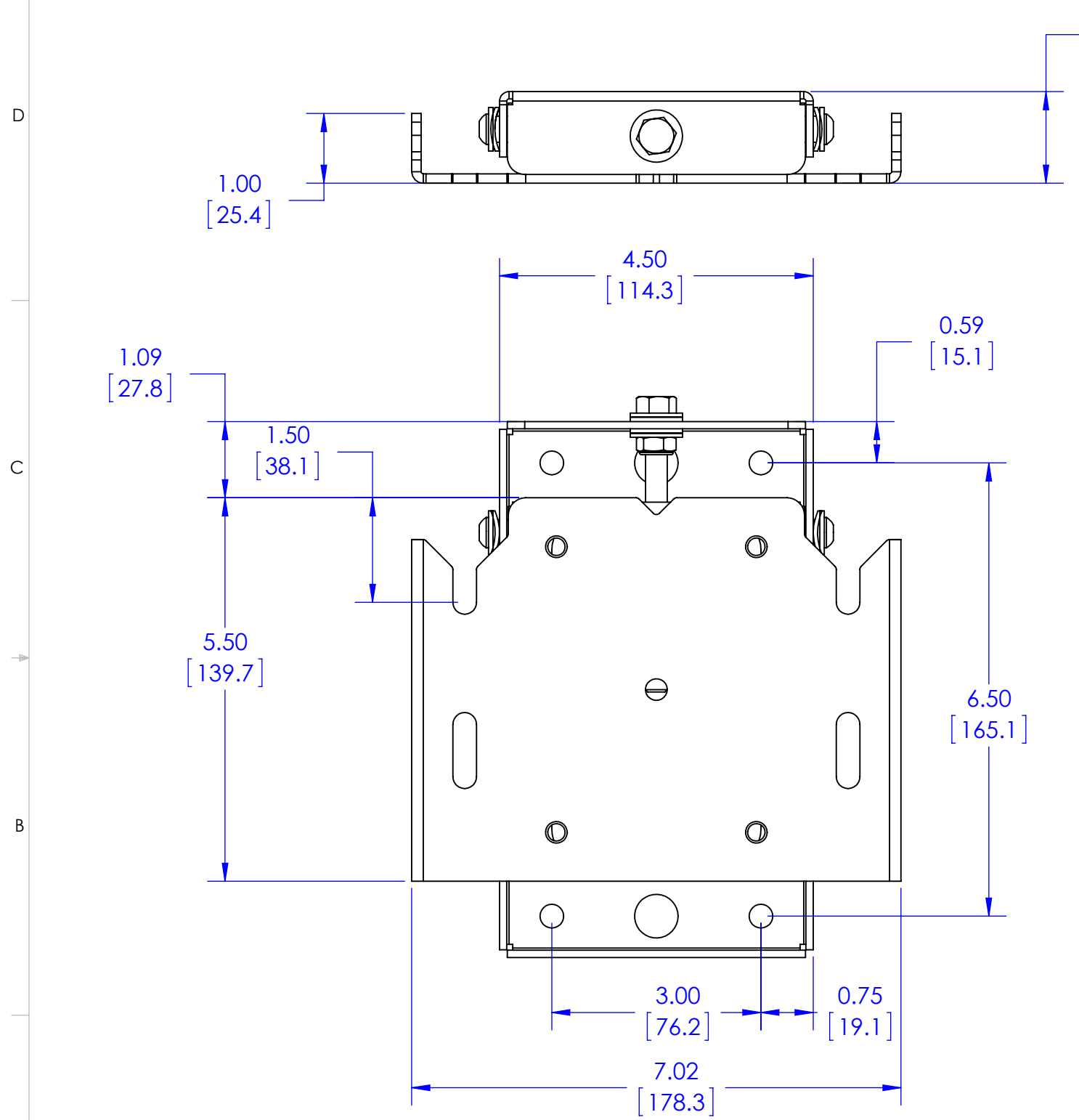


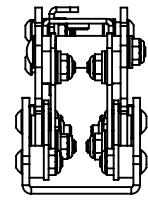
THE INFORMATION AND DESIGNS CONTAINED IN THIS DRAWING ARE CONFIDENTIAL AND THE PROPRIETARY PROPERTY OF MILESTONE AV TECHNOLOGIES NEITHER THIS DESIGN NOR ANY INFORMATION CONTAINED IN THIS DRAWING MAY BE REPRODUCED OR DISCLOSED TO OTHERS WITHOUT THE EXPRESS WRITTEN CONSENT OF MILESTONE AV TECHNOLOGIES.

CAD GENERATED DRAWING, DO NOT MANUALLY UPDATE.			6436 CITY WEST PKWY EDEN PRAIRIE MN, 55344 PHONE: 866-977-3901 FAX: 877-894-6918
DRAWN BY	JAB	3/21/2013	
ENG APPROVAL			DESCRIPTION
MFG APPROVAL			3 x 1 MENU BOARD BACK ROW, ADD-ON ACCESSORY
QA APPROVAL			MODEL NO.
SHEET 1 OF 5			FCAB3X1U
SCALE		1:24	SIZE
		B	DWG. NO.
			TECH-000337
			REV.
			00

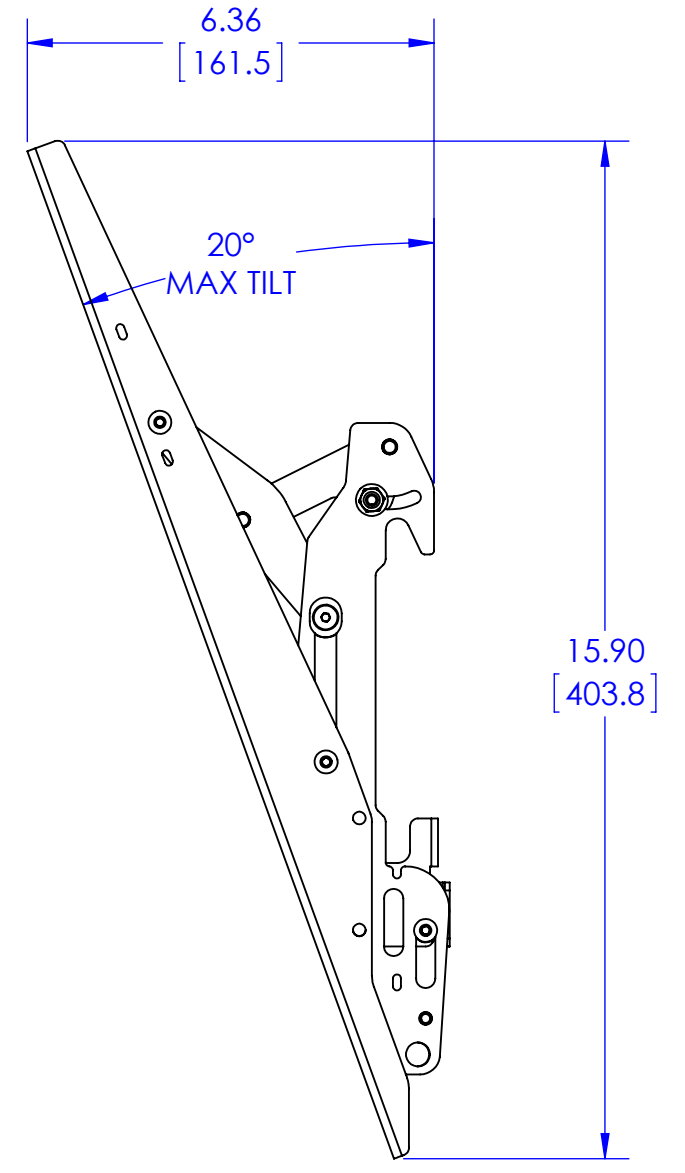
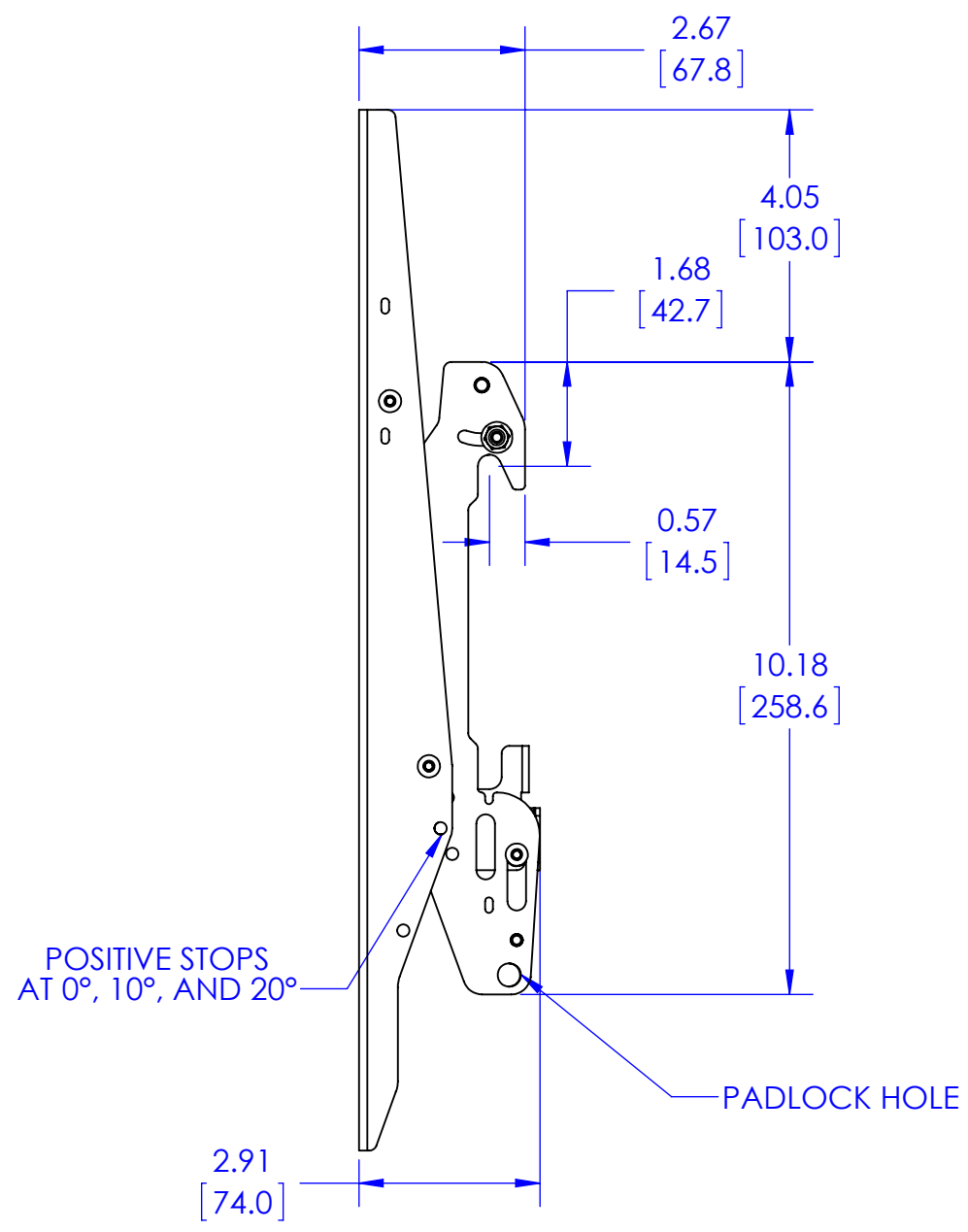
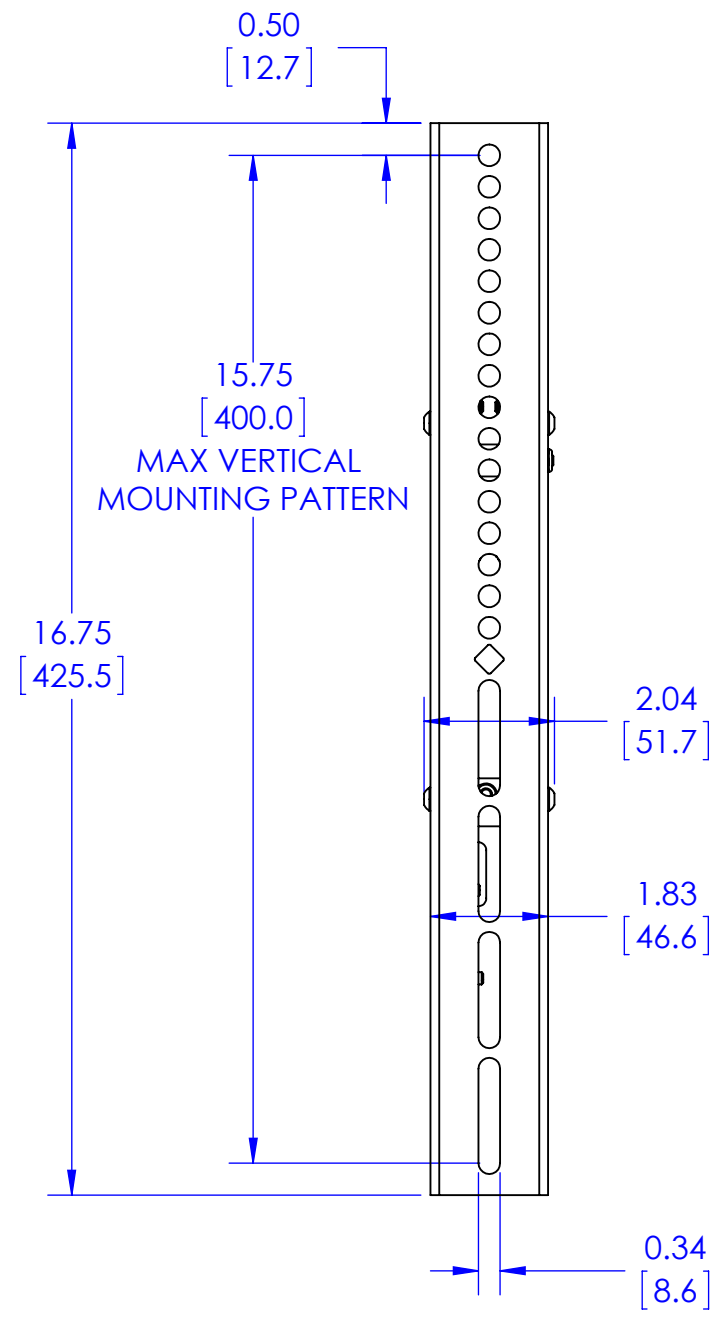


THE INFORMATION AND DESIGNS CONTAINED IN THIS DRAWING ARE CONFIDENTIAL AND THE PROPRIETARY PROPERTY OF MILESTONE AV TECHNOLOGIES NEITHER THIS DESIGN NOR ANY INFORMATION CONTAINED IN THIS DRAWING MAY BE REPRODUCED OR DISCLOSED TO OTHERS WITHOUT THE EXPRESS WRITTEN CONSENT OF MILESTONE AV TECHNOLOGIES.

CAD GENERATED DRAWING, DO NOT MANUALLY UPDATE.			6436 CITY WEST PKWY EDEN PRAIRIE MN, 55344 PHONE: 866-977-3901 FAX: 877-894-6918
DRAWN BY	JAB	3/21/2013	
ENG APPROVAL			DESCRIPTION
MFG APPROVAL			3 x 1 MENU BOARD BACK ROW, ADD-ON ACCESSORY
QA APPROVAL			MODEL NO.
SHEET 2 OF 5			FCAB3X1U
SCALE	1:4	SIZE	DWG. NO.
		B	TECH-000337
			REV.
			00

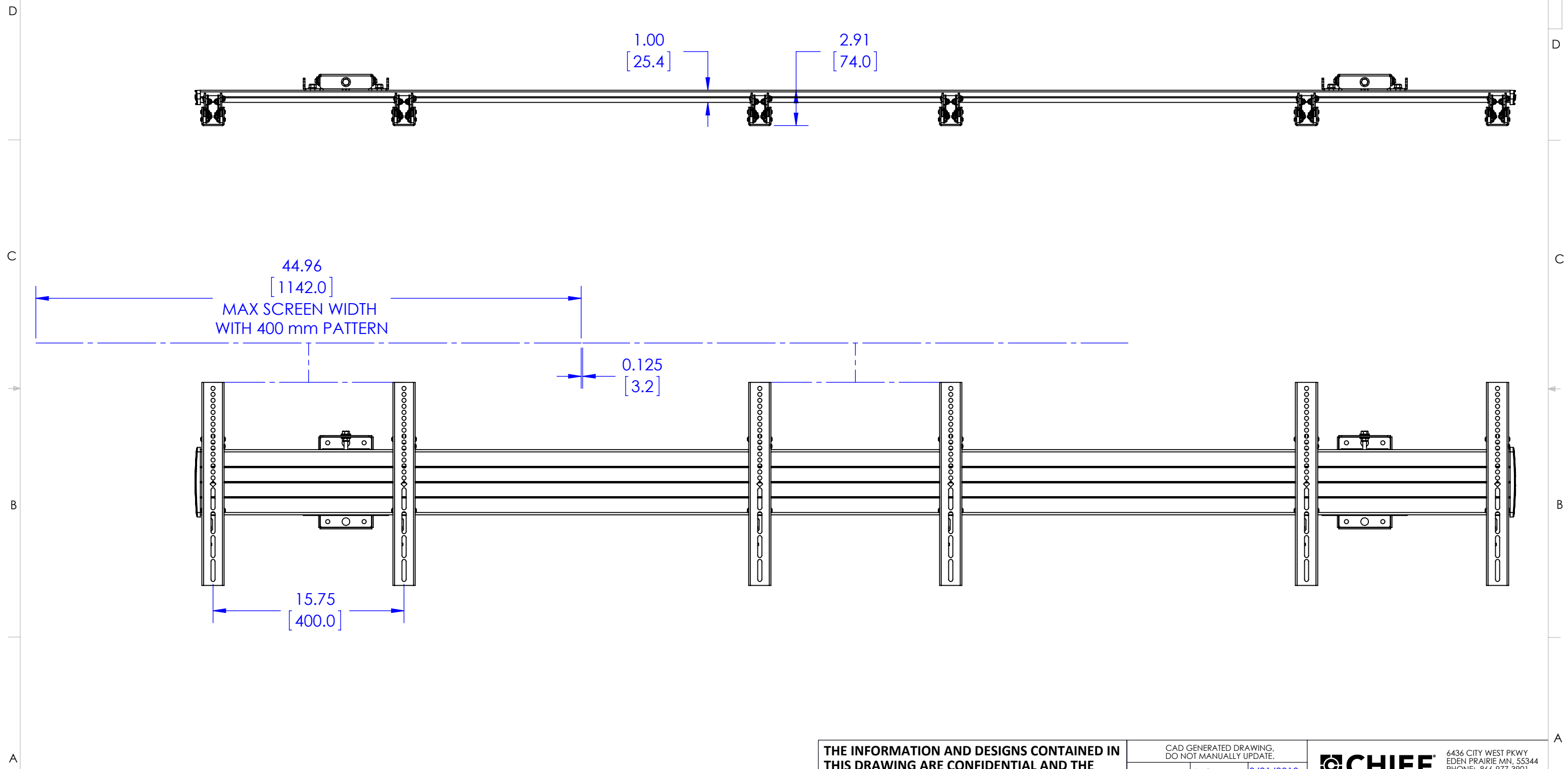


TILT RANGE
-5° TO +20°



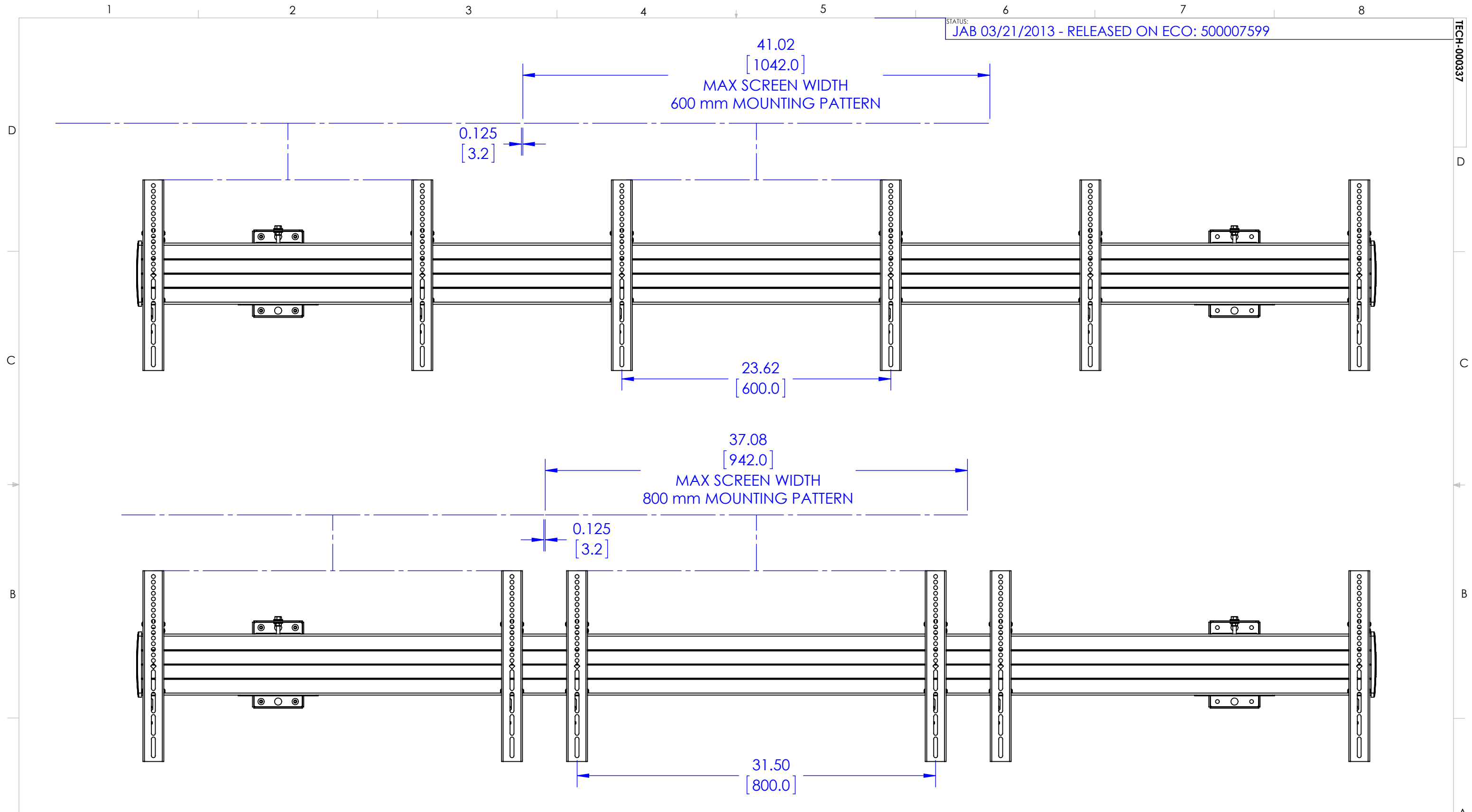
THE INFORMATION AND DESIGNS CONTAINED IN THIS DRAWING ARE CONFIDENTIAL AND THE PROPRIETARY PROPERTY OF MILESTONE AV TECHNOLOGIES NEITHER THIS DESIGN NOR ANY INFORMATION CONTAINED IN THIS DRAWING MAY BE REPRODUCED OR DISCLOSED TO OTHERS WITHOUT THE EXPRESS WRITTEN CONSENT OF MILESTONE AV TECHNOLOGIES.

CAD GENERATED DRAWING, DO NOT MANUALLY UPDATE.			CHIEF	6436 CITY WEST PKWY EDEN PRAIRIE MN, 55344 PHONE: 866-977-3901 FAX: 877-894-6918	
DRAWN BY	JAB	3/21/2013		DESCRIPTION 3 x 1 MENU BOARD BACK ROW, ADD-ON ACCESSORY	
ENG APPROVAL			MODEL NO. FCAB3X1U		
MFG APPROVAL			REV. 00		
QA APPROVAL			SCALE 1:4		
SHEET 3 OF 5		SIZE B	DWG. NO. TECH-000337		



THE INFORMATION AND DESIGNS CONTAINED IN THIS DRAWING ARE CONFIDENTIAL AND THE PROPRIETARY PROPERTY OF MILESTONE AV TECHNOLOGIES NEITHER THIS DESIGN NOR ANY INFORMATION CONTAINED IN THIS DRAWING MAY BE REPRODUCED OR DISCLOSED TO OTHERS WITHOUT THE EXPRESS WRITTEN CONSENT OF MILESTONE AV TECHNOLOGIES.

CAD GENERATED DRAWING, DO NOT MANUALLY UPDATE.			6436 CITY WEST PKWY EDEN PRAIRIE MN, 55344 PHONE: 866-977-3901 FAX: 877-894-6918
DRAWN BY	JAB	3/21/2013	
ENG APPROVAL			DESCRIPTION 3 x 1 MENU BOARD BACK ROW, ADD-ON ACCESSORY
MFG APPROVAL			MODEL NO. FCAB3X1U
QA APPROVAL			SIZE DWG. NO. REV. B TECH-000337 00
SHEET 4 OF 5		SCALE 1:24	



THE INFORMATION AND DESIGNS CONTAINED IN THIS DRAWING ARE CONFIDENTIAL AND THE PROPRIETARY PROPERTY OF MILESTONE AV TECHNOLOGIES NEITHER THIS DESIGN NOR ANY INFORMATION CONTAINED IN THIS DRAWING MAY BE REPRODUCED OR DISCLOSED TO OTHERS WITHOUT THE EXPRESS WRITTEN CONSENT OF MILESTONE AV TECHNOLOGIES.

CAD GENERATED DRAWING, DO NOT MANUALLY UPDATE.			6436 CITY WEST PKWY EDEN PRAIRIE MN, 55344 PHONE: 866-977-3901 FAX: 877-894-6918
DRAWN BY	JAB	3/21/2013	
ENG APPROVAL			DESCRIPTION
MFG APPROVAL			3 x 1 MENU BOARD BACK ROW, ADD-ON ACCESSORY
QA APPROVAL			MODEL NO.
SHEET 5 OF 5			FCAB3X1U
SCALE	1:24	SIZE	DWG. NO.
		B	TECH-000337
			REV.
			00