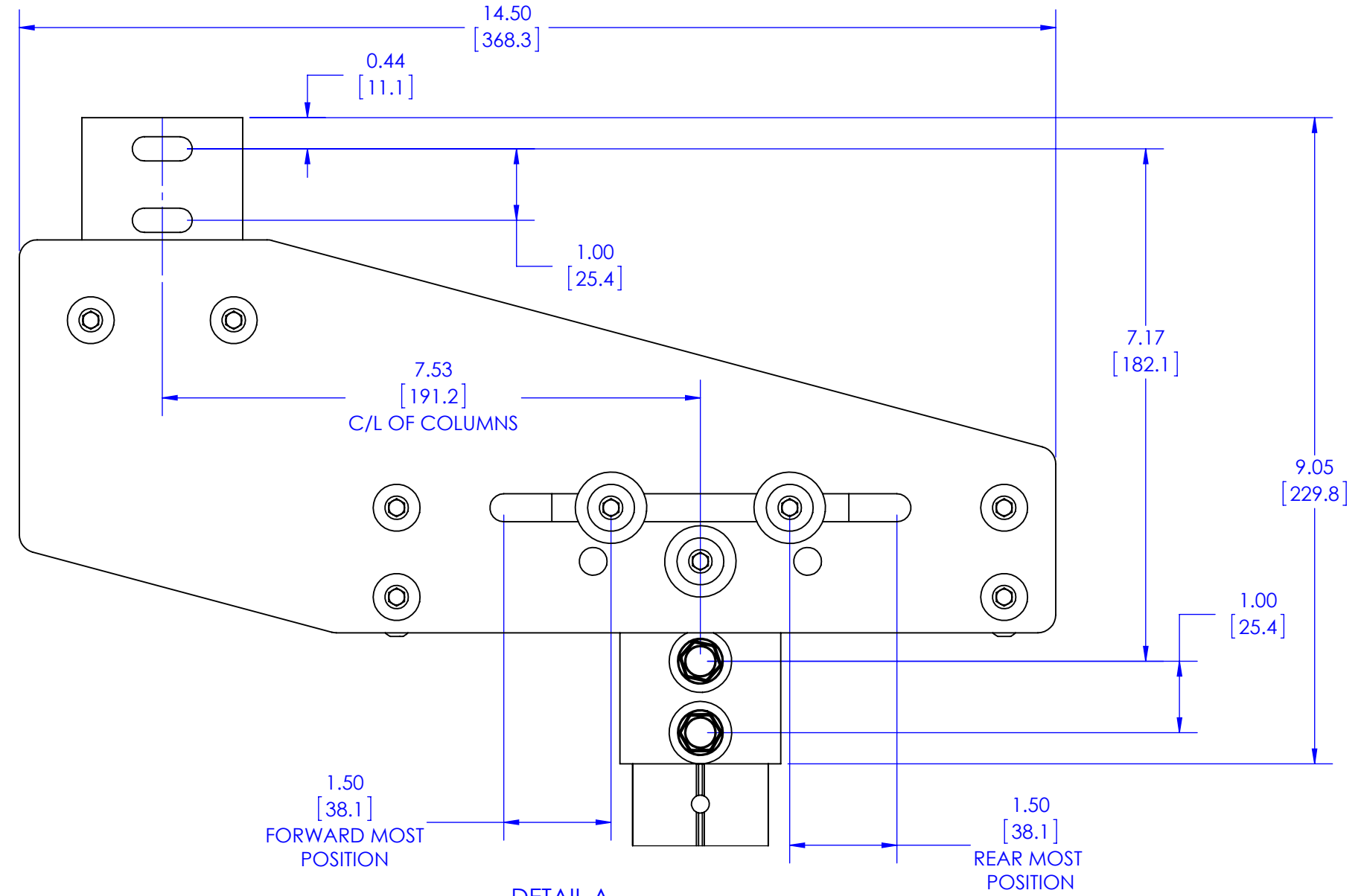
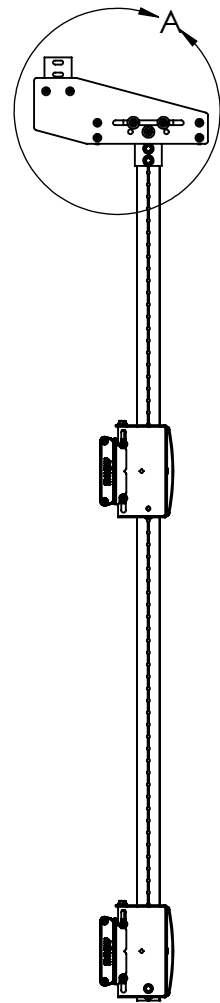


THE INFORMATION AND DESIGNS CONTAINED IN THIS DRAWING ARE CONFIDENTIAL AND THE PROPRIETARY PROPERTY OF MILESTONE AV TECHNOLOGIES NEITHER THIS DESIGN NOR ANY INFORMATION CONTAINED IN THIS DRAWING MAY BE REPRODUCED OR DISCLOSED TO OTHERS WITHOUT THE EXPRESS WRITTEN CONSENT OF MILESTONE AV TECHNOLOGIES.

CAD GENERATED DRAWING, DO NOT MANUALLY UPDATE.			<b>CHIEF</b> 6436 CITY WEST PKWY EDEN PRAIRIE MN, 55344 PHONE: 866-977-3901 FAX: 877-894-6918	
DRAWN BY	JAB	5/2/2013	DESCRIPTION <b>3 X 2 PORTRAIT, CEILING MOUNTED ARRAY</b>	
ENG APPROVAL			MODEL NO. <b>LCM3X2UP</b>	
MFG APPROVAL			SIZE DWG. NO. <b>B TECH-000361</b>	
QA APPROVAL			REV. <b>00</b>	
SHEET 1 OF 5		SCALE <b>1:16</b>		



OFFSET SHOULD BE PUT IN THE FORWARD MOST POSITION FOR SCREENS LESS THAN 2.5" DEEP

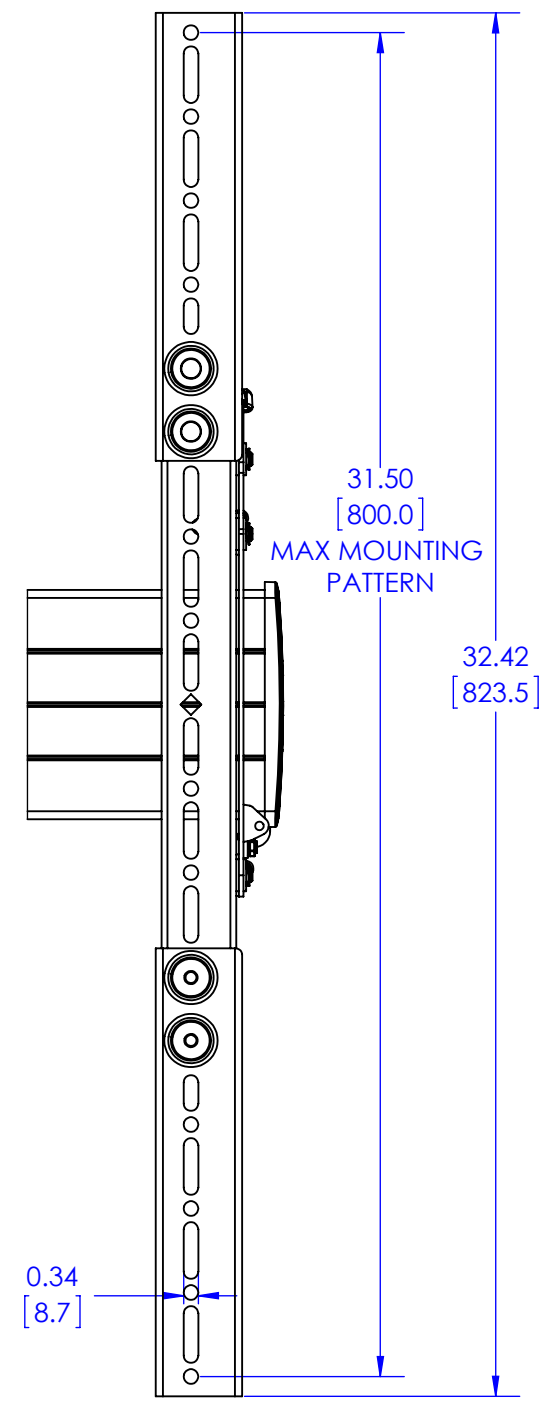
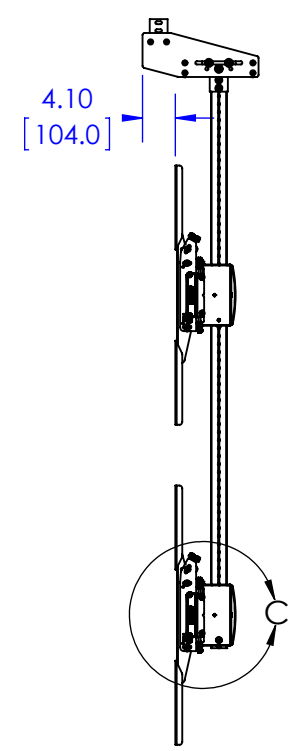
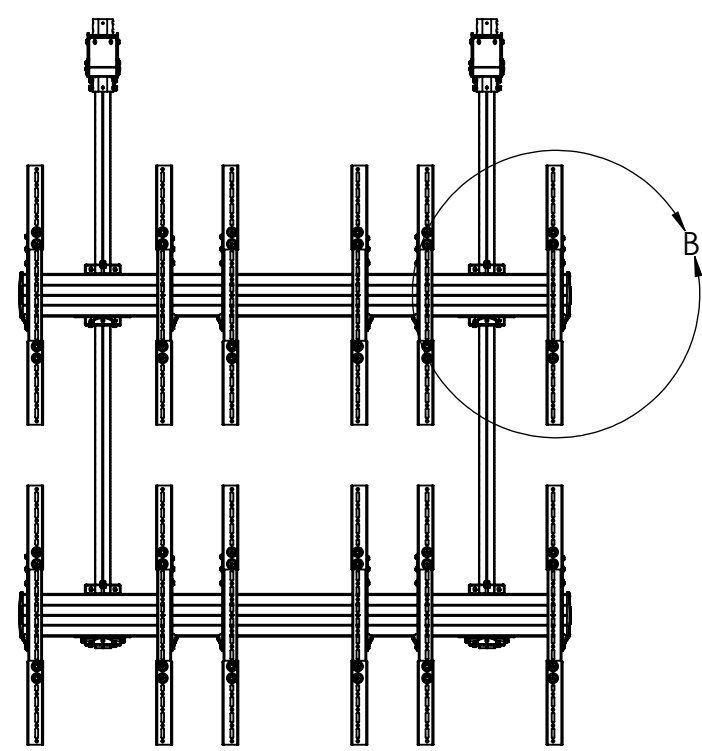
DETAIL A  
SCALE 1 : 2

OFFSET SHOULD BE PUT IN THE REAR MOST POSITION FOR SCREENS GREATER THAN 4.5" DEEP

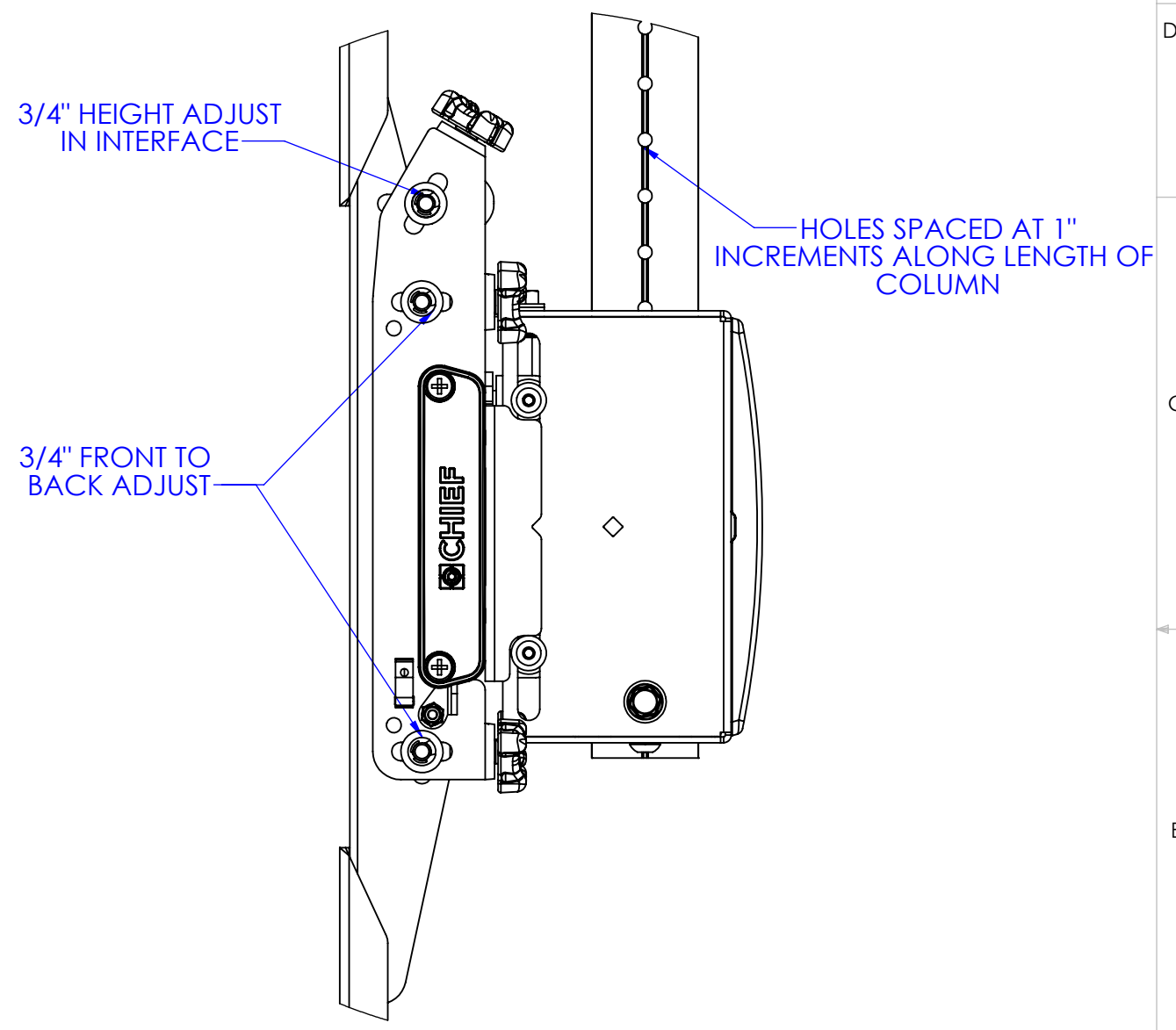
OFFSET SHOULD BE PUT IN THE CENTER POSITION FOR SCREENS BETWEEN 2.5" AND 4.5" DEEP

**THE INFORMATION AND DESIGNS CONTAINED IN THIS DRAWING ARE CONFIDENTIAL AND THE PROPRIETARY PROPERTY OF MILESTONE AV TECHNOLOGIES NEITHER THIS DESIGN NOR ANY INFORMATION CONTAINED IN THIS DRAWING MAY BE REPRODUCED OR DISCLOSED TO OTHERS WITHOUT THE EXPRESS WRITTEN CONSENT OF MILESTONE AV TECHNOLOGIES.**

CAD GENERATED DRAWING, DO NOT MANUALLY UPDATE.			<b>CHIEF</b>		6436 CITY WEST PKWY EDEN PRAIRIE MN, 55344 PHONE: 866-977-3901 FAX: 877-894-6918
DRAWN BY	JAB	5/2/2013	DESCRIPTION <b>3 X 2 PORTRAIT, CEILING MOUNTED ARRAY</b>		
ENG APPROVAL			MODEL NO. <b>LCM3X2UP</b>		
MFG APPROVAL			SIZE	DWG. NO.	REV.
QA APPROVAL			B	TECH-000361	00
SHEET 2 OF 5			SCALE		
			1:16		



DETAIL B  
SCALE 1 : 4.5



DETAIL C  
SCALE 1 : 3

THE INFORMATION AND DESIGNS CONTAINED IN THIS DRAWING ARE CONFIDENTIAL AND THE PROPRIETARY PROPERTY OF MILESTONE AV TECHNOLOGIES NEITHER THIS DESIGN NOR ANY INFORMATION CONTAINED IN THIS DRAWING MAY BE REPRODUCED OR DISCLOSED TO OTHERS WITHOUT THE EXPRESS WRITTEN CONSENT OF MILESTONE AV TECHNOLOGIES.

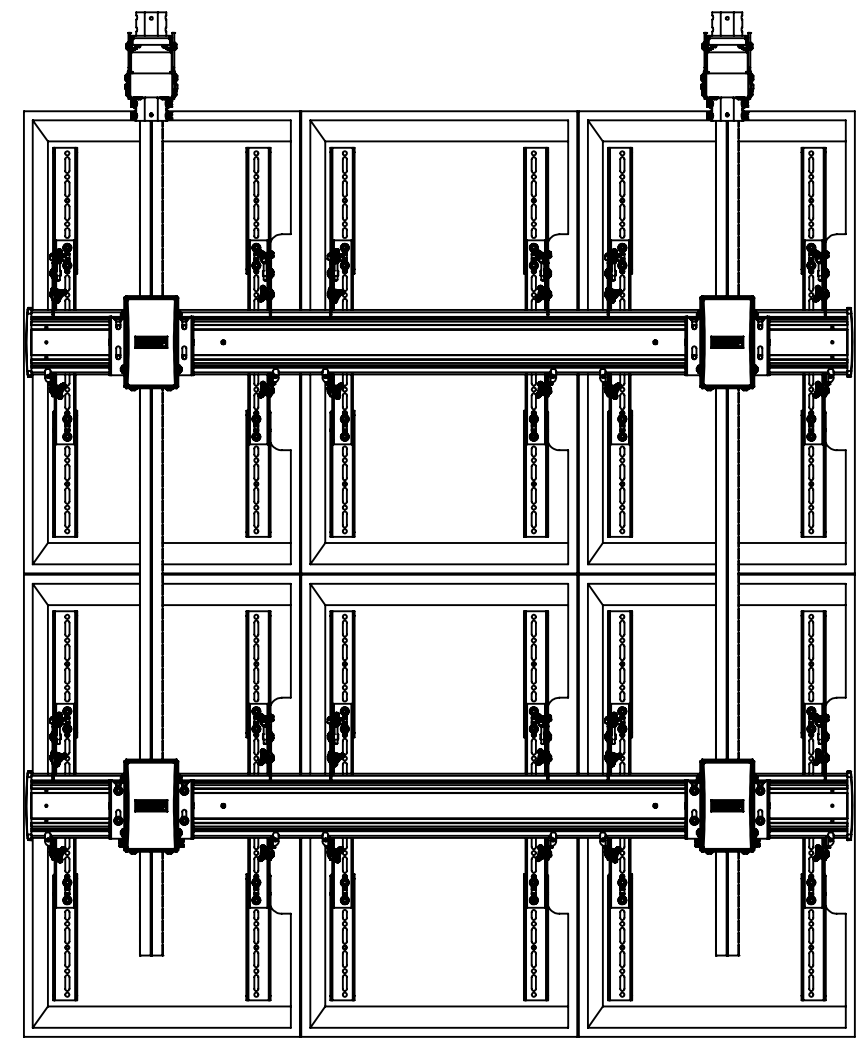
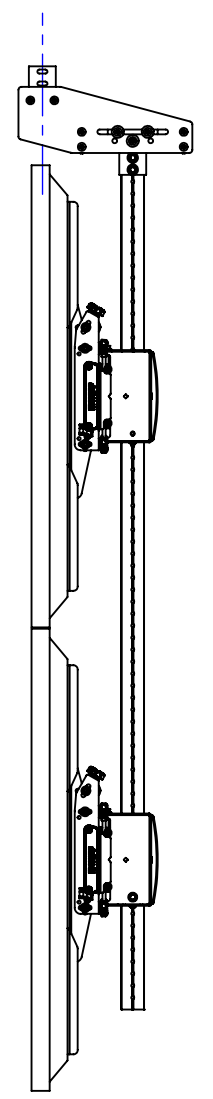
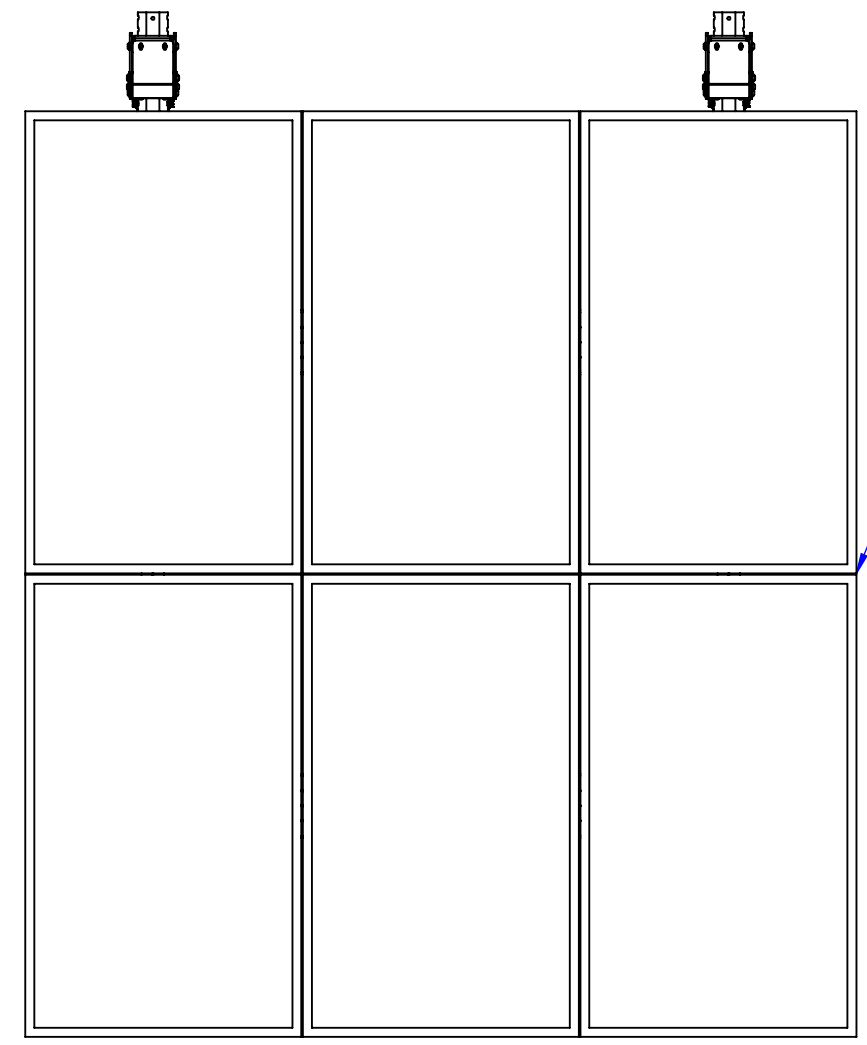
CAD GENERATED DRAWING, DO NOT MANUALLY UPDATE.			6436 CITY WEST PKWY EDEN PRAIRIE MN, 55344 PHONE: 866-977-3901 FAX: 877-894-6918	
DRAWN BY	JAB	5/2/2013		
ENG APPROVAL			DESCRIPTION <b>3 X 2 PORTRAIT, CEILING MOUNTED ARRAY</b>	
MFG APPROVAL			MODEL NO. <b>LCM3X2UP</b>	
QA APPROVAL			SIZE	DWG. NO.
SHEET 3 OF 5			SCALE <b>1:24</b>	<b>B TECH-000361</b>
			REV.	<b>00</b>

COLUMNS SHOULD BE APPROXIMATELY CENTERED ON OUTSIDE SCREENS (AS SHOWN)


CENTER OF GRAVITY OF SCREENS SHOULD BE AS CLOSE IN-LINE WITH THE UPPER COLUMN AS POSSIBLE

MAINTAIN SLIGHT GAP BETWEEN SCREENS

SHOWN WITH SIMULATED 42" SCREENS



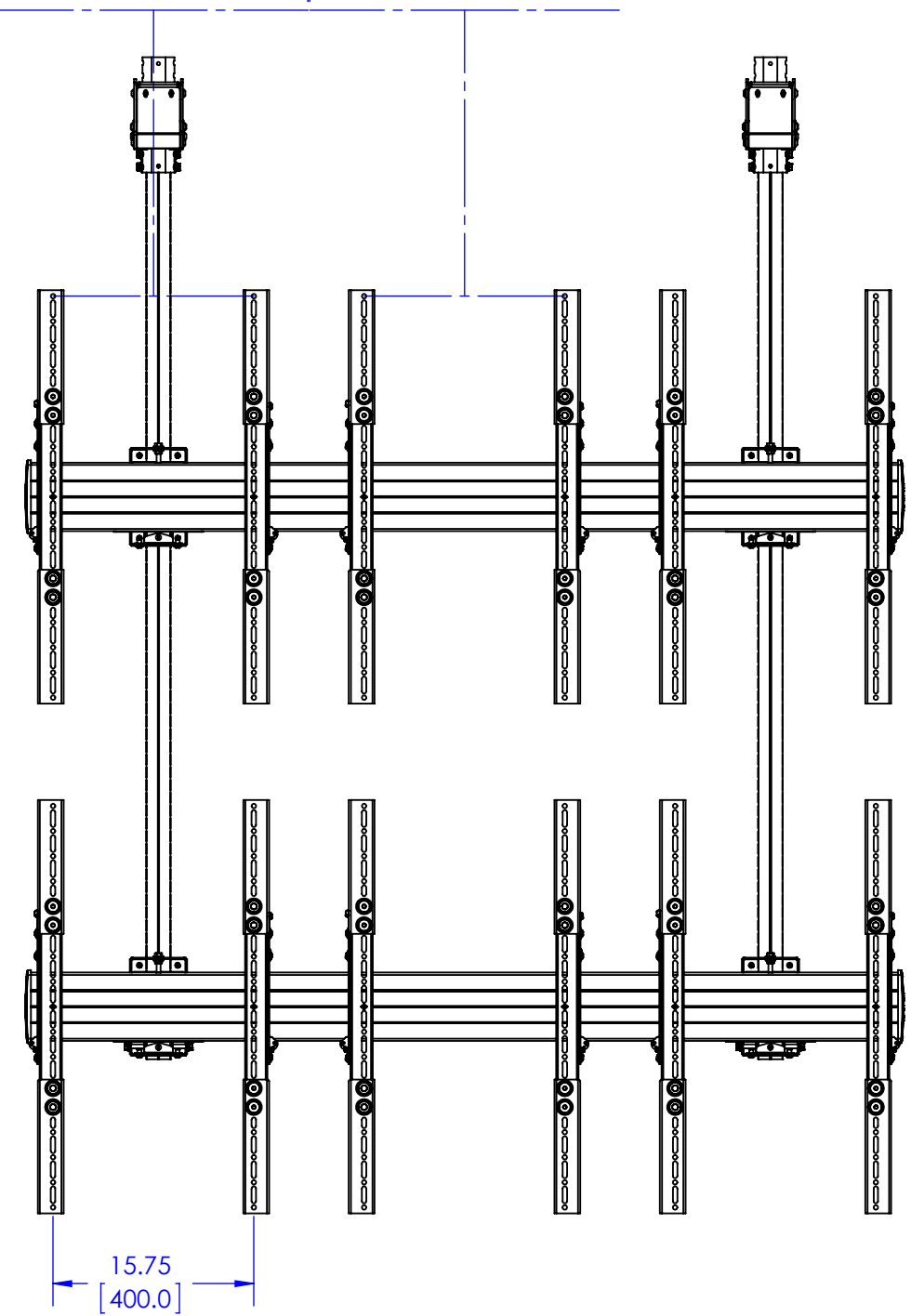
THE INFORMATION AND DESIGNS CONTAINED IN THIS DRAWING ARE CONFIDENTIAL AND THE PROPRIETARY PROPERTY OF MILESTONE AV TECHNOLOGIES NEITHER THIS DESIGN NOR ANY INFORMATION CONTAINED IN THIS DRAWING MAY BE REPRODUCED OR DISCLOSED TO OTHERS WITHOUT THE EXPRESS WRITTEN CONSENT OF MILESTONE AV TECHNOLOGIES.

CAD GENERATED DRAWING, DO NOT MANUALLY UPDATE.			 6436 CITY WEST PKWY EDEN PRAIRIE MN, 55344 PHONE: 866-977-3901 FAX: 877-894-6918
DRAWN BY	JAB	5/2/2013	
ENG APPROVAL			DESCRIPTION
MFG APPROVAL			3 X 2 PORTRAIT, CEILING MOUNTED ARRAY
QA APPROVAL			MODEL NO.
SHEET 4 OF 5			LCM3X2UP
SCALE		1:24	SIZE
			B
			DWG. NO.
			TECH-000361
			REV.
			00

24.27  
[616.5]

MAX SCREEN HEIGHT  
WITH 400 mm MOUNTING PATTERN

0.125  
[3.2]



THE INFORMATION AND DESIGNS CONTAINED IN THIS DRAWING ARE CONFIDENTIAL AND THE PROPRIETARY PROPERTY OF MILESTONE AV TECHNOLOGIES NEITHER THIS DESIGN NOR ANY INFORMATION CONTAINED IN THIS DRAWING MAY BE REPRODUCED OR DISCLOSED TO OTHERS WITHOUT THE EXPRESS WRITTEN CONSENT OF MILESTONE AV TECHNOLOGIES.

CAD GENERATED DRAWING, DO NOT MANUALLY UPDATE.			<p>6436 CITY WEST PKWY EDEN PRAIRIE MN, 55344 PHONE: 866-977-3901 FAX: 877-894-6918</p>
DRAWN BY	JAB	5/2/2013	
ENG APPROVAL			DESCRIPTION <b>3 X 2 PORTRAIT, CEILING MOUNTED ARRAY</b>
MFG APPROVAL			MODEL NO. <b>LCM3X2UP</b>
QA APPROVAL			SIZE DWG. NO. <b>B TECH-000361</b>
SHEET 5 OF 5		SCALE <b>1:24</b>	REV. <b>00</b>