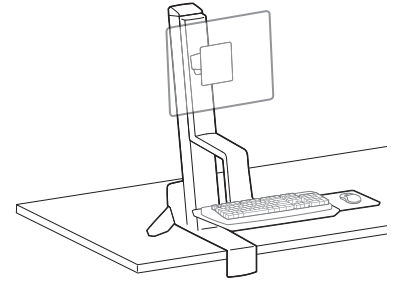
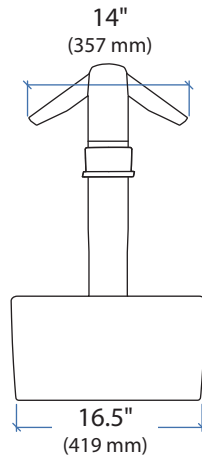
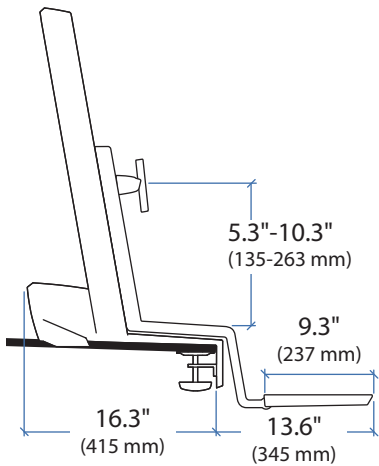
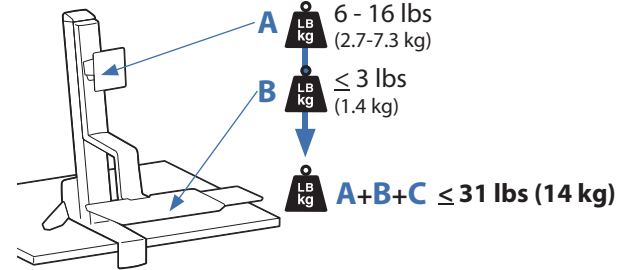


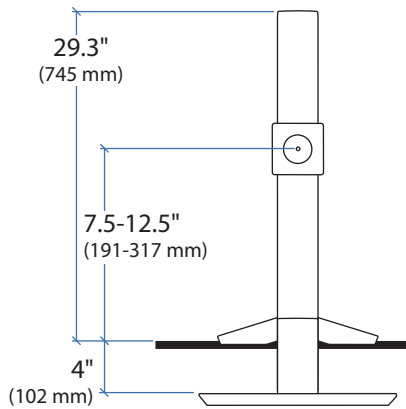
### WorkFit-S, Single LCD Mount, LD



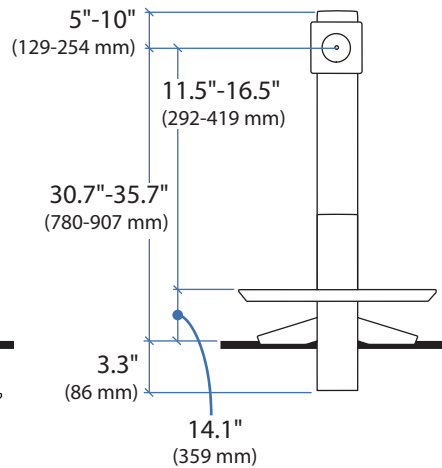
Weight Capacity:



Lowest Position

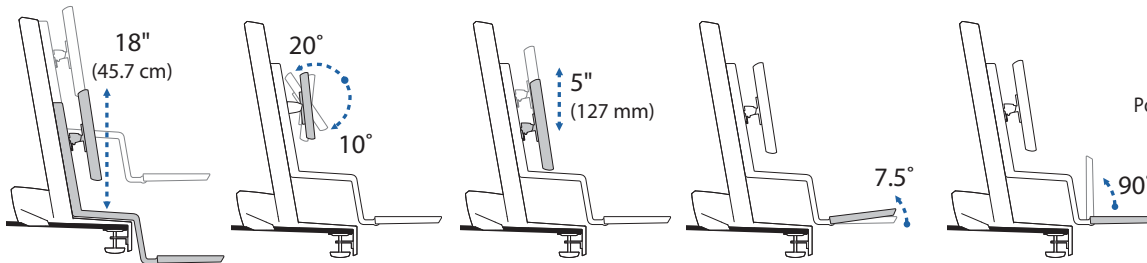
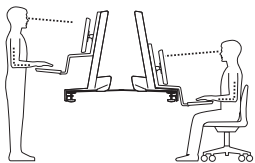
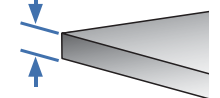


Highest Position

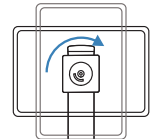


Desk Thickness:

≤ 2.4" (60 mm)

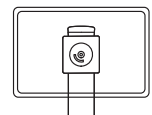


360°



Portrait/Landscape rotation stop screw can be installed for 0° rotation.

0°



© 2010 Ergotron, Inc. rev. 07/28/2010 DIM-WorkFit-S Content is subject to change without notification

Americas Sales and Corporate Headquarters

St. Paul, MN USA  
(800) 888-8458  
+1-651-681-7600  
www.ergotron.com  
sales@ergotron.com

EMEA Sales

Amersfoort, The Netherlands  
+31 33 45 45 600  
www.ergotron.com  
info.eu@ergotron.com

APAC Sale

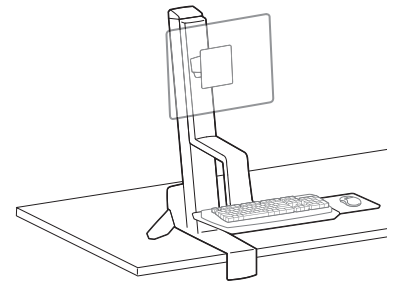
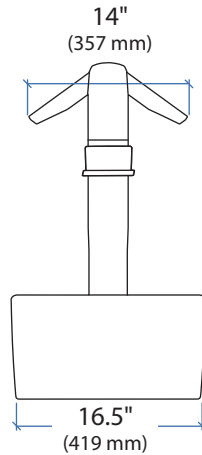
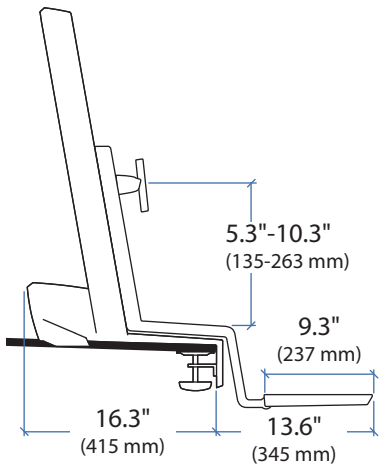
Tokyo, Japan  
www.ergotron.com  
apaccustomerservice@ergotron.com

Worldwide OEM Sales

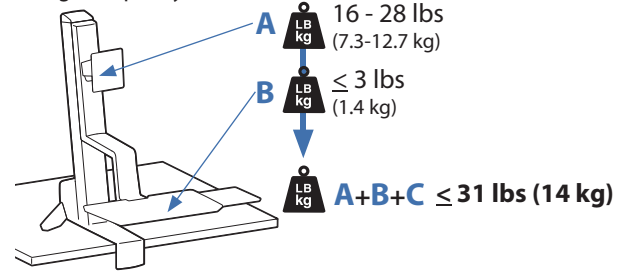
www.ergotron.com  
info.oem@ergotron.com



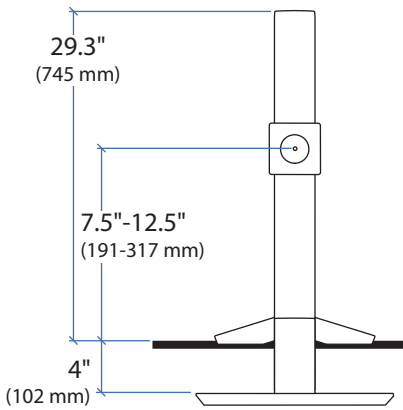
### WorkFit-S, Single LCD Mount, HD



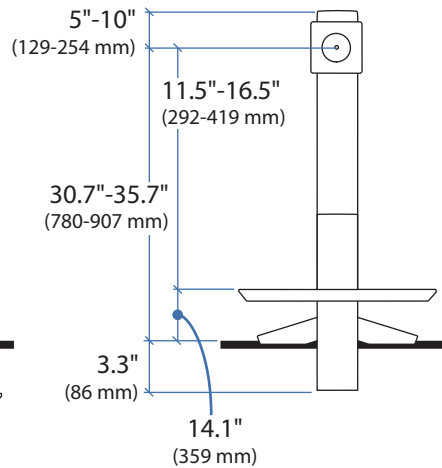
Weight Capacity:



Lowest Position

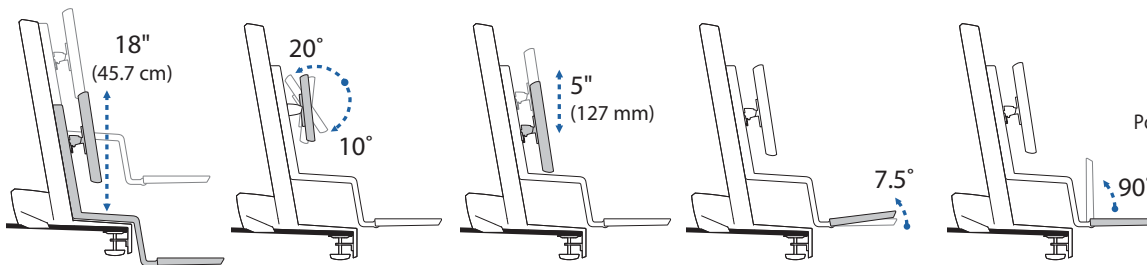
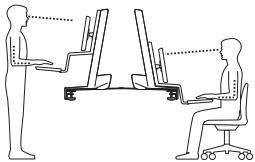
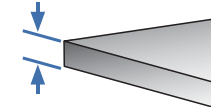


Highest Position

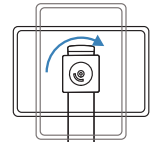


Desk Thickness:

≤ 2.4" (60 mm)

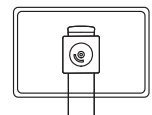


360°



Portrait/Landscape rotation stop screw can be installed for 0° rotation.

0°



© 2010 Ergotron, Inc. rev. 07/28/2010 DIM-WorkFit-S Content is subject to change without notification

Americas Sales and Corporate Headquarters

St. Paul, MN USA  
(800) 888-8458  
+1-651-681-7600  
www.ergotron.com  
sales@ergotron.com

EMEA Sales

Amersfoort, The Netherlands  
+31 33 45 45 600  
www.ergotron.com  
info.eu@ergotron.com

APAC Sale

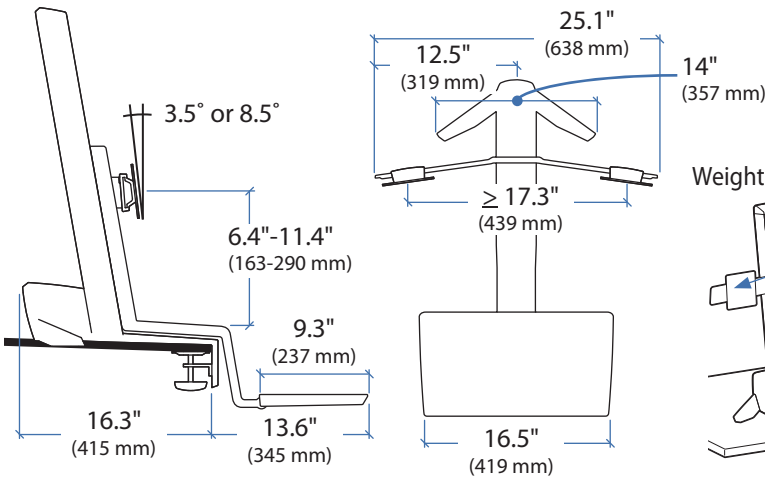
Tokyo, Japan  
www.ergotron.com  
apaccustomerservice@ergotron.com

Worldwide OEM Sales

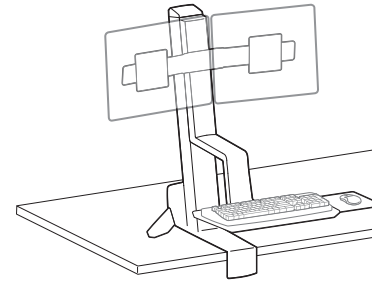
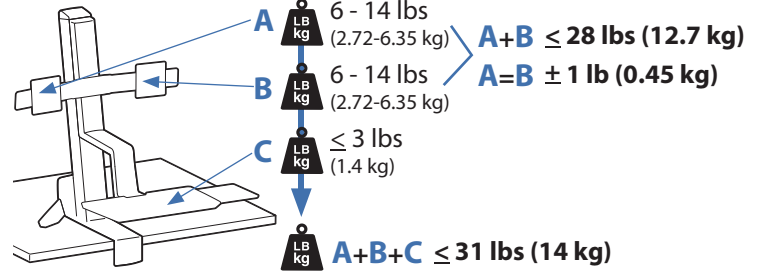
www.ergotron.com  
info.oem@ergotron.com



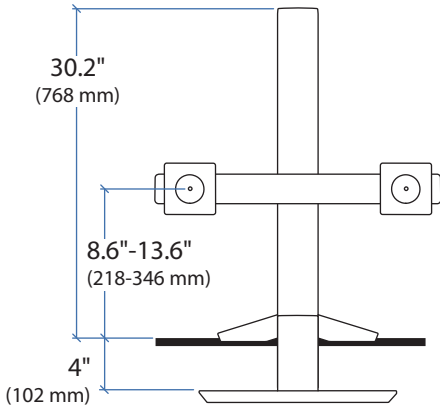
### WorkFit-S, Dual



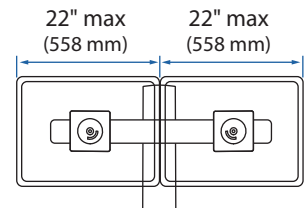
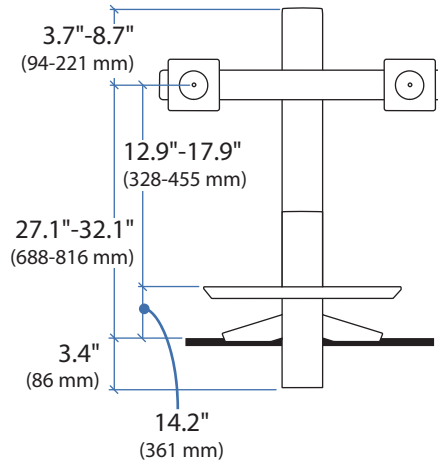
Weight Capacity:



Lowest Position

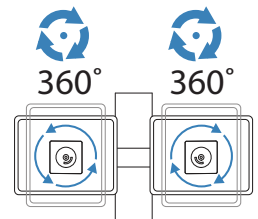
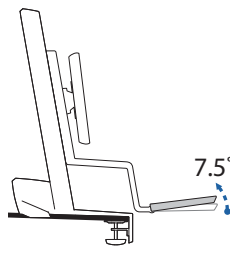
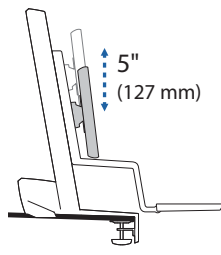
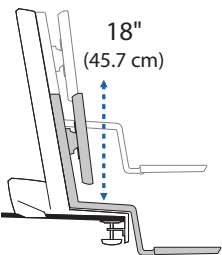
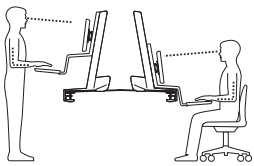
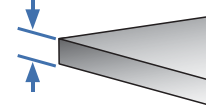


Highest Position

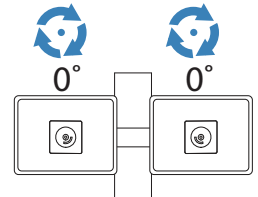


Desk Thickness:

≤ 2.4" (60 mm)



Portrait/Landscape rotation stop screw can be installed for 0° rotation.



**Americas Sales and Corporate Headquarters**

St. Paul, MN USA  
(800) 888-8458  
+1-651-681-7600  
www.ergotron.com  
sales@ergotron.com

**EMEA Sales**

Amersfoort, The Netherlands  
+31 33 45 45 600  
www.ergotron.com  
info.eu@ergotron.com

**APAC Sale**

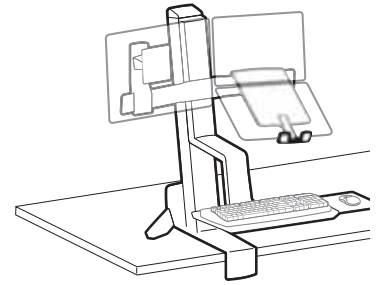
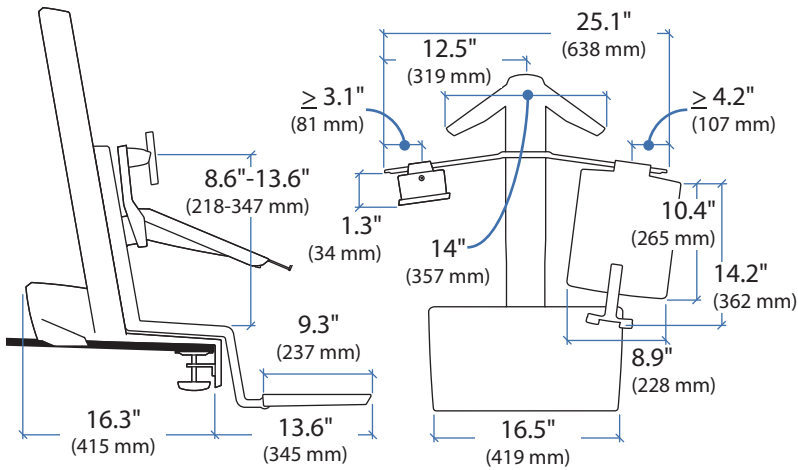
Tokyo, Japan  
www.ergotron.com  
apaccustomerservice@ergotron.com

**Worldwide OEM Sales**

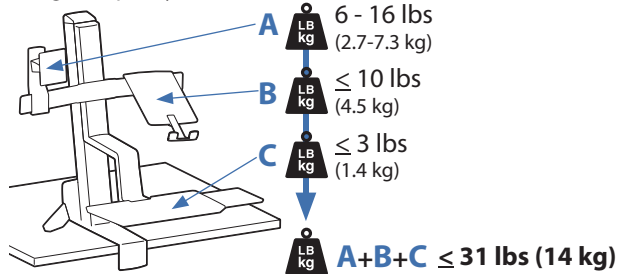
www.ergotron.com  
info.oem@ergotron.com



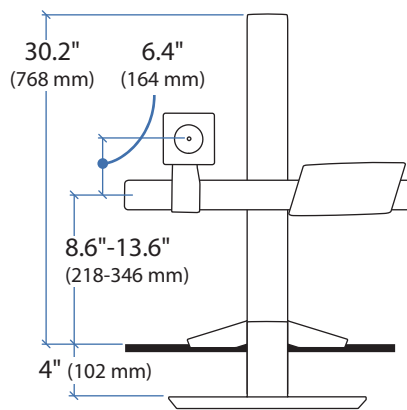
### WorkFit-S, LCD & Laptop



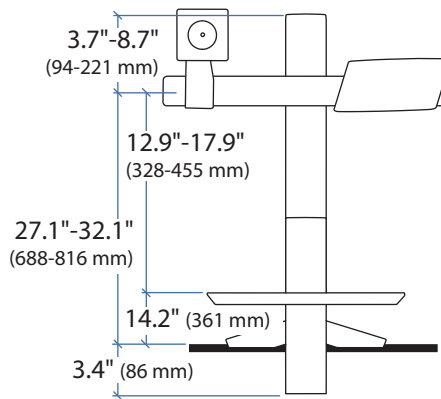
#### Weight Capacity:



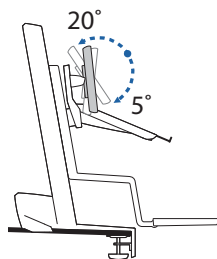
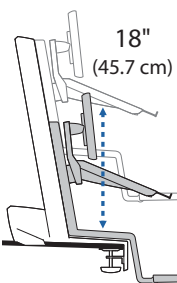
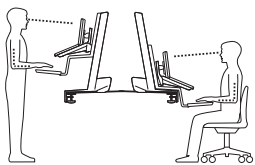
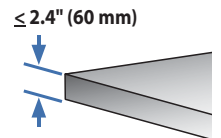
#### Lowest Position



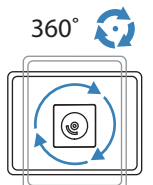
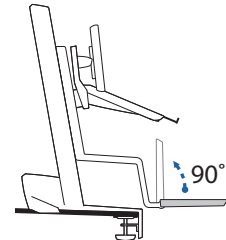
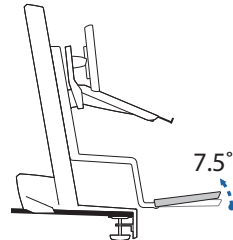
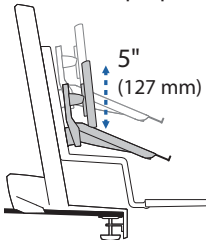
#### Highest Position



#### Desk Thickness:



#### LCD and Laptop Tray



#### Americas Sales and Corporate Headquarters

St. Paul, MN USA  
 (800) 888-8458  
 +1-651-681-7600  
 www.ergotron.com  
 sales@ergotron.com

#### EMEA Sales

Amersfoort, The Netherlands  
 +31 33 45 45 600  
 www.ergotron.com  
 info.eu@ergotron.com

#### APAC Sale

Tokyo, Japan  
 www.ergotron.com  
 apaccustomerservice@ergotron.com

#### Worldwide OEM Sales

www.ergotron.com  
 info.oem@ergotron.com

