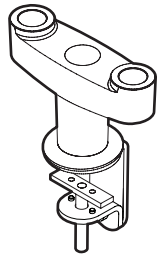


MODEL 8408

Installation Instructions



Desk Edge

1 **2** **3**

Thru-Desk

8408-thru *8408-cup*

1 **2**

Grommet Hole

1 **2** **3**

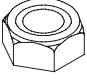
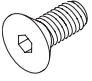
Side Bolt

1 **2**

* Hardware not included.

MODEL 8408

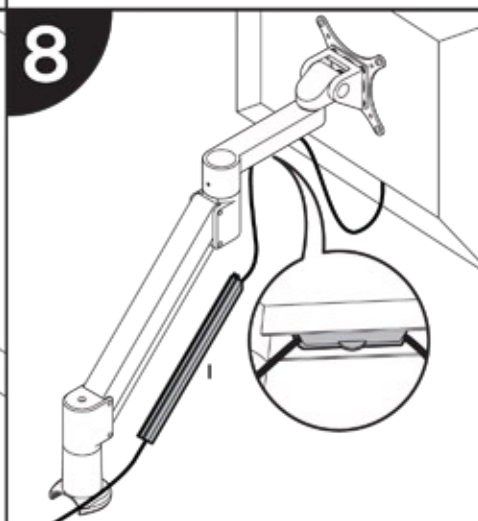
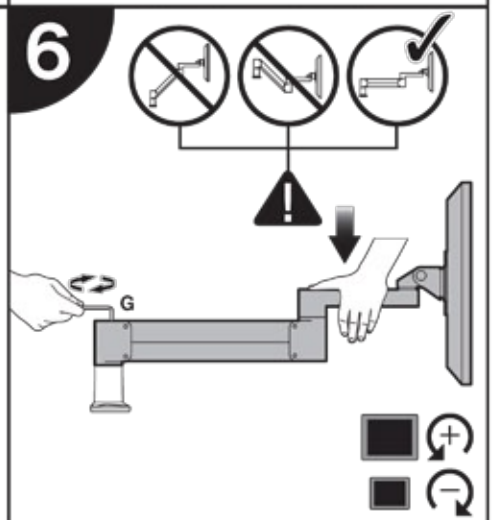
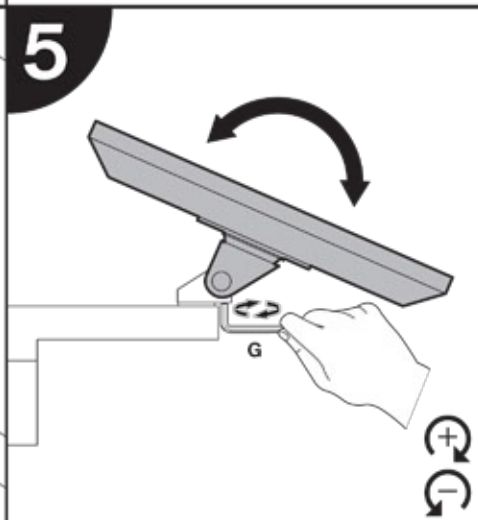
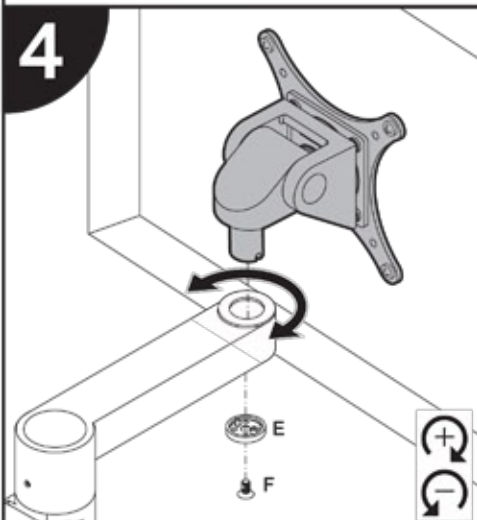
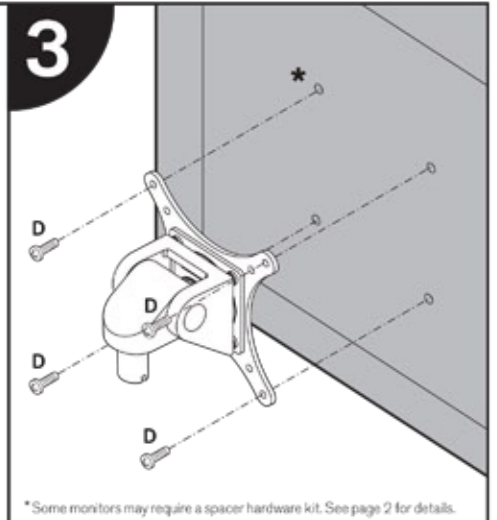
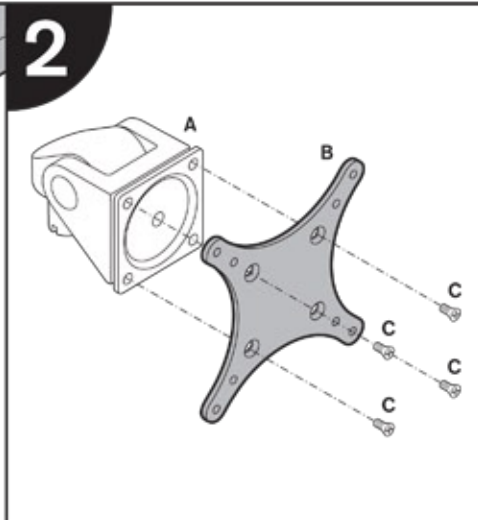
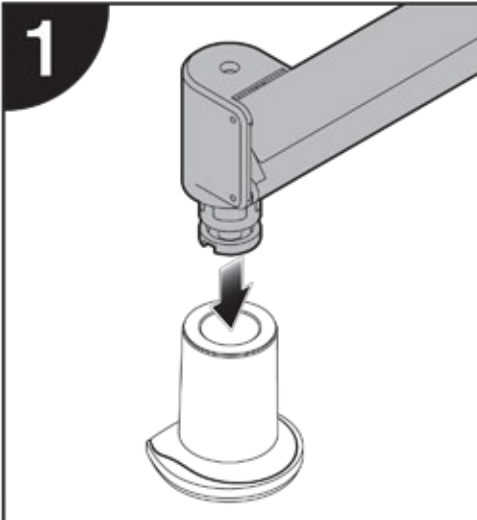
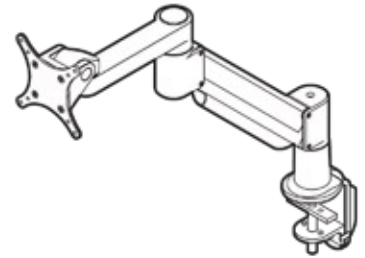
Parts List

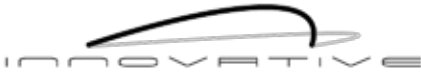
| ITEM | DESCRIPTION / PART NO. | QUANTITY |
|---|---|----------|
| A | 3/8-16 Nylon Stop Nut 701418 | 1 |
|  | | |
| B | 3/8-16 x 1-1/4" Flat Socket Cap Screw 1 701855 | |
|  | | |
| C | Foam Pad 1 701565 <i>Included with Models 8408 & 8408-thru only</i> | |
|  | | |
| D | 3/8-16 x 7/8" Flat Socket Cap Screw 1 701799 | |
|  | | |
| E | Rectangular Spacer 1 701544 | |
|  | | |

| ITEM | DESCRIPTION / PART NO. | QUANTITY |
|---|--|----------|
| F | 1/2-13 x 3" Socket Set Screw 1 701126 | |
|  | | |
| G | 3/8-16 x 2-1/2" Hex Head Bolt 1 700268 <i>Included with Models 8408-thru & 8408-cup only</i> | |
|  | | |
| H | Foam Pad 1 701120 <i>Included with Model 8408-cup only</i> | |
|  | | |
| I | 7/32" Allen Wrench 1 701127 | |
|  | | |

MODEL 7FLEX[®]






Installation Instructions









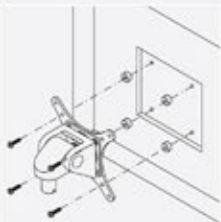
MODEL 7FLEX[®]

Parts List

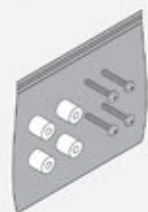
| ITEM | DESCRIPTION / PART NO. | QUANTITY |
|------|--|---------------|
| A |  Monitor Tilter 405397 | 1 |
| B |  75/100mm VESA [®] Adapter Plate 105587 | 1 |
| C |  10-32 x 3/8 [®] Phillips Pan Head Screw 702281 | 1 (4-pack) |
| D |  M4 x 12mm Phillips Pan Head Screw 702096 | 1 (4-pack) |
| E |  Dog Washer 105189 | 1 |

| ITEM | DESCRIPTION / PART NO. | QUANTITY |
|------|---|----------|
| F |  10-32 x 3/8 [®] FPhMS w/Lock Patch 705198 | 1 |
| G |  7/32 [®] Allen Wrench 701127 | 1 |
| H |  3/32 [®] Allen Wrench 700146 | 1 |
| I |  Cable Cap 102043-9.5 | 1 |

OPTIONAL SPACER KITS In some cases, the mounting surface on your monitor may be recessed further than permitted by VESA[®] standards. As a result, a spacer kit may be required.



.25" Spacer Hardware Kit
 (4) .25" Spacers
 (4) M4 x 18mm Phillips Pan Head Screws
 Order # P404923-B



.5" Spacer Hardware Kit
 (4) .5" Spacers
 (4) M4 x 25mm Phillips Pan Head Screws
 Order # P404923-C

How do I counterbalance my arm?

1

7/32" Allen Wrench

IMPORTANT!

- Monitor must be on arm
- Arm must be in mount

Press the arm down to approximately parallel with the desk prior to turning the strength adjustment screw.

If the arm **drifts upward**, turn the adjustment screw clockwise.

If the arm **drifts downward**, turn the adjustment screw counter-clockwise.

Depending on the weight of your monitor, **you may have to make 15-20 turns.**

2

3/32" Allen Wrench

In some instances, further counterbalance adjustments are needed to allow the arm's instant height adjustment function to work properly.

If your arm is not staying in position after performing step 1, follow these steps:

With arm in raised position, tighten set screw **(A)**.

With arm in horizontal position, tighten set screw **(B)**.

Do not over tighten screws.