



## THE AFFORDABLE SOLUTION FOR HEIGHT ADJUSTABILITY

Fundamentals EX is our newest adjustable height workcenter and was designed to provide exceptional quality at an affordable price. Fundamentals features integrated computerized control and is one of the most energy efficient tables in the industry, using less than one dollar of electricity per year on average.

Fundamentals frame sets are available in 3 finish colors, meet BIFMA G1-2013 standards for height adjustability, and are designed to easily accommodate both 24" and 30" deep worksurfaces with equipment payloads up to 125 pounds.

Fundamentals is available with a wide range of feature options enabling users to build the perfect workcenter for virtually any application or budget.



Select the Standard Switch for simple up/down control.



Select the Programmable Switch for a digital readout, preset heights, and much more.

# FUNDAMENTALS EX ELECTRIC FRAME SET

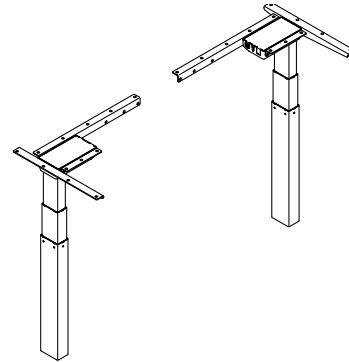
## Fundamentals EX Electric Frame Set

The Fundamentals EX electric height adjustable frame set is the newest addition to Workrite's family of electric workcenters and is a truly affordable option for companies who want to focus on wellness and improve productivity without breaking the bank.

All Frame Sets include: legs, brackets, motor(s) and cables.

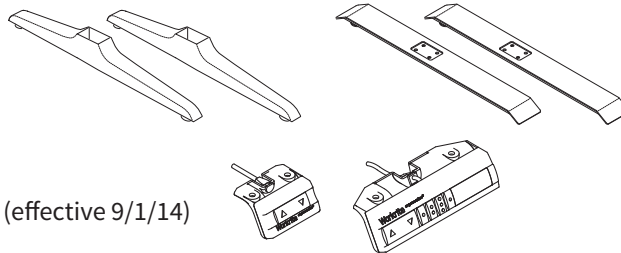
### Specifications:

- Frame options: 2-leg frames
- 24" or 30" depths
- Widths from 30" to 72" depending on shape
- Finish options: Silver, Charcoal, and White
- Height Range: 22.5" to 48.7"
- Payload Capacity: 125 pounds
- Travel Speed: 1.6 inches per second
- Max Power Draw: 120 V, 60 Hz, 1.2 A
- Standby Power: 0.1 W

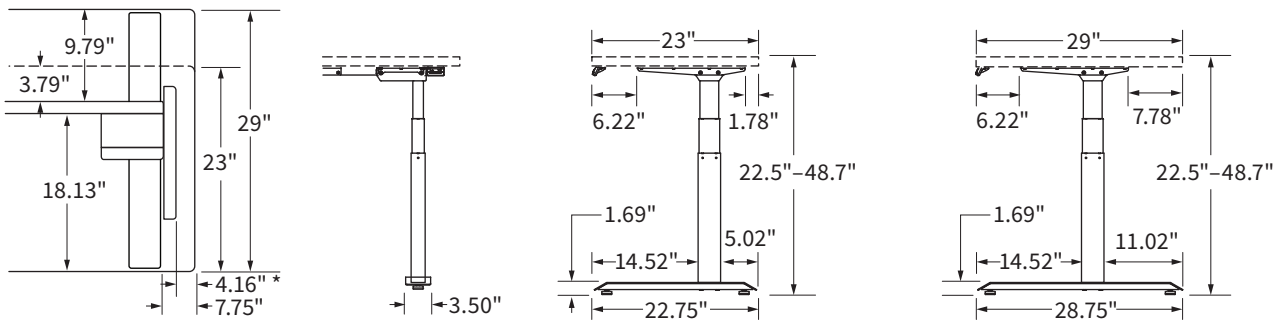


### Options sold separately:

- Foot Options: 24" or 30" Styled Foot Set  
24" or 30" Flat Foot Set
- Control Options: Standard Switch  
Programmable Switch (effective 9/1/14)
- Laminated Worksurfaces: Any laminate and edge treatment in the Workrite program
- Workrite frame sets can also be used with existing worksurfaces or new worksurfaces from other manufacturers

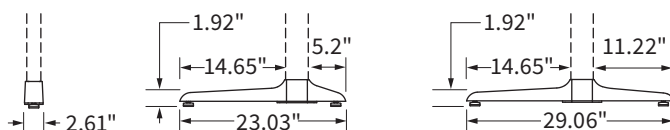


### Dimensions



\* For Peninsula and P Peninsula worksurfaces, this distance is 15", or 12" if width is 60".

### Styled Foot

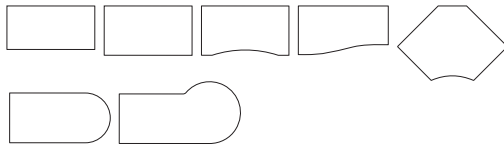




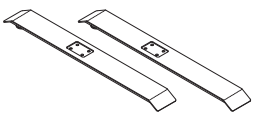
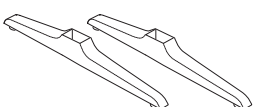
Products listed on this page are available through GSA Contract GS-28F-0030S SIN #711-2 (Schedule 71)

# FUNDAMENTALS EX ELECTRIC FRAME SET



	Model #		
	Silver	Charcoal	White
Fundamentals EX Frame Set, 30-48" Wide	FDEX30-48-S	FDEX30-48-C	FDEX30-48-W
Fundamentals EX Frame Set, 54-72" Wide	FDEX54-72-S	FDEX54-72-C	FDEX54-72-W



## Workcenter Feet

	Worksurface Depth	Model #		
<b>Flat Foot Set</b> 	24"	FFK24-S	FFK24-C	FFK24-W
	30"	FFK30-S	FFK30-C	FFK30-W
	Dual Depth	FFK2430-S	FFK2430-C	FFK2430-W
<b>Styled Foot Set</b> 	24"	SFK24-S	SFK24-C	SFK24-W
	30"	SFK30-S	SFK30-C	SFK30-W
	Dual Depth	SFK2430-S	SFK2430-C	SFK2430-W

## Workcenter Controls

	Model #
<b>Standard Switch</b> 	STDSWITCH
<b>Programmable Switch</b> 	PROSWITCH

# WORKSURFACES



## HOW TO CONFIGURE YOUR WORKSURFACE

### Select a worksurface laminate & edgeband

Workrite's standard laminated worksurface program features 19 popular Wilsonart® laminates with coordinating 3 mm edgeband options. For larger, more accurate swatches of available laminates, please refer to the Materials & Finishes tab of the Workrite binder.

#### Laminates



#### Edgeband



#### A guide to the edge treatment model #

Edge treatment part numbers consist of :

Worksurface size    Edge type  
**T3423-B3**

The example given is for a 34" wide, 23" deep rectangle that fits a 36" x 24" space, with 3 mm block edge

#### A guide to the laminate model #

Laminate part numbers consist of :

Laminate color    Edgeband color  
**0705460-152**

The example shown is for a top in Wild Cherry with Rainier Cherry 3 mm edgeband.



3mm Edge Band

### Special order worksurfaces

Additional Wilsonart laminates and edge treatments may be available through our Special Order Program. Special order laminates and edge treatments are subject to minimum order quantities and require extended lead times. See the Special Order information in the Materials & Finishes tab of the Workrite binder.