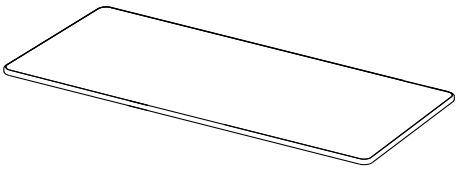




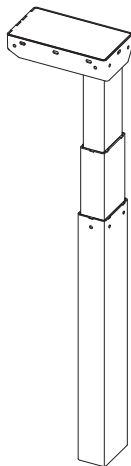
Workrite Fundamentals
Assembly Instructions for
2-leg Workcenters 30"–48" Wide

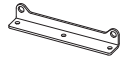
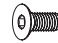
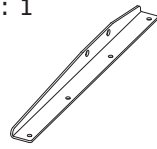

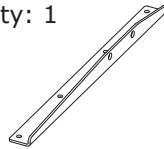

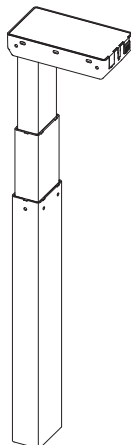

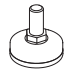

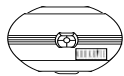


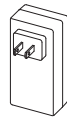
List of Parts, grouped by carton

A Worksurface (size and shape differ)
Qty: 1



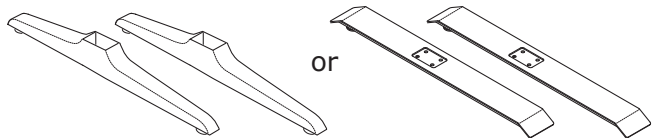
F Companion Leg
Qty: 1




<p>B Short Bracket Qty: 4</p> 	<p>I #M6 × 14 mm Flat Head Cap Screw Qty: 20</p> 
<p>C Left End Bracket Qty: 1</p> 	<p>J #12 × ¾" Pan Head Laminate Top Screw Qty: 20</p> 
<p>D Right End Bracket Qty: 1</p> 	<p>K #8 × 5/8" Pan Head Screw Qty: 7</p> 
<p>E Control Leg Qty: 1</p> 	<p>L 4 mm Allen Wrench Qty: 1</p> 
<p>H Feet Glides Qty: 4</p> 	<p>M Leg Cable - 1 meter Qty: 1</p> 
	<p>O Cable Spool Qty: 1</p> 
	<p>P Cable Loops Qty: 5</p> 
	<p>Q Power cord - 3.5 meters Qty: 1</p> 
	<p>R Power Supply Qty: 1</p> 

Parts, sold separately

G Feet
Qty: 2



N Control
Qty: 1



Important Note!

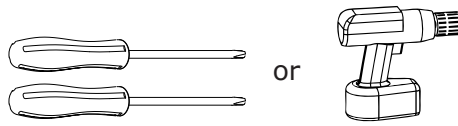


You must complete initialization (Step 11) at the end of assembly or your table WILL NOT FUNCTION PROPERLY.

1 Verify that you have all the hardware and tools needed for the assembly.

a Check your cartons against the list on page 2 to verify that you have all the parts needed. You will also need the following tools:

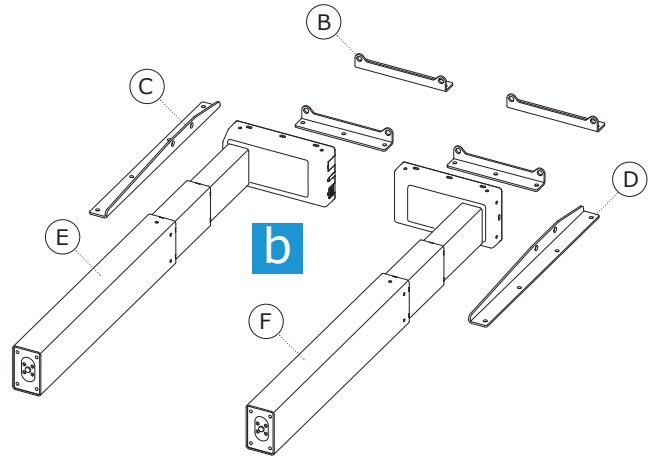
#2 tip Phillips screwdriver or drill bit
 #3 tip Phillips screwdriver or drill bit



If you do not have a Workrite worksurface, you will also need a:

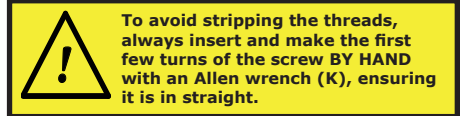
1/8" pilot drill bit
 3/32" pilot drill bit

b Lay Legs (E and F) and Brackets (B, C, and D) on the floor.



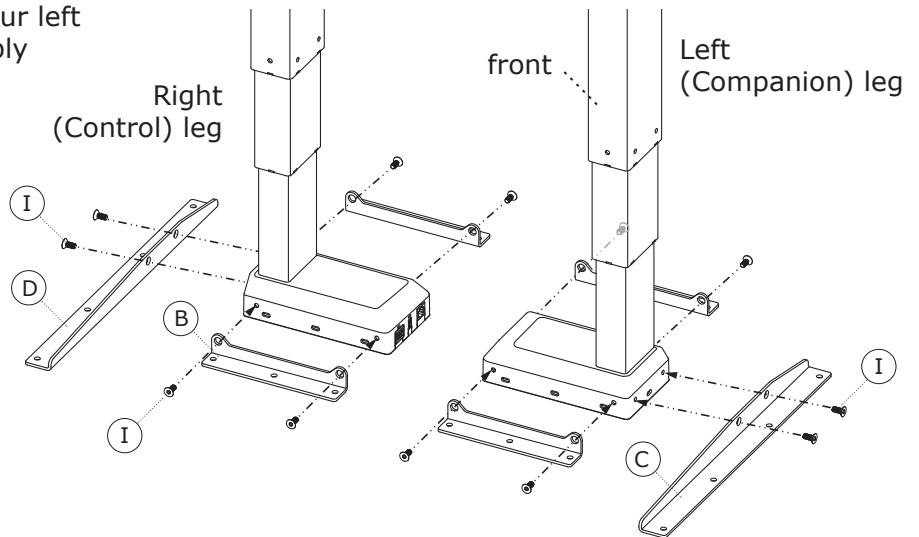
2 Attach Short & Medium Brackets

Attach Short (B) Brackets using Flat Cap Screws (I) to both legs.



Attach Right End Bracket (E) to sides of the right (Control) Leg (E) using Flat Cap Screws (I). Attach Left End Bracket (C) to sides of the left (Companion) Leg (F) using Flat Cap Screws (G). **Do not tighten screws completely.**

Note: the right leg will be on your left and vice versa when the assembly is seen upside down.



3 Attach Base to Worksurface and Tighten Screws

If you do not have a Workrite worksurface skip to step 4

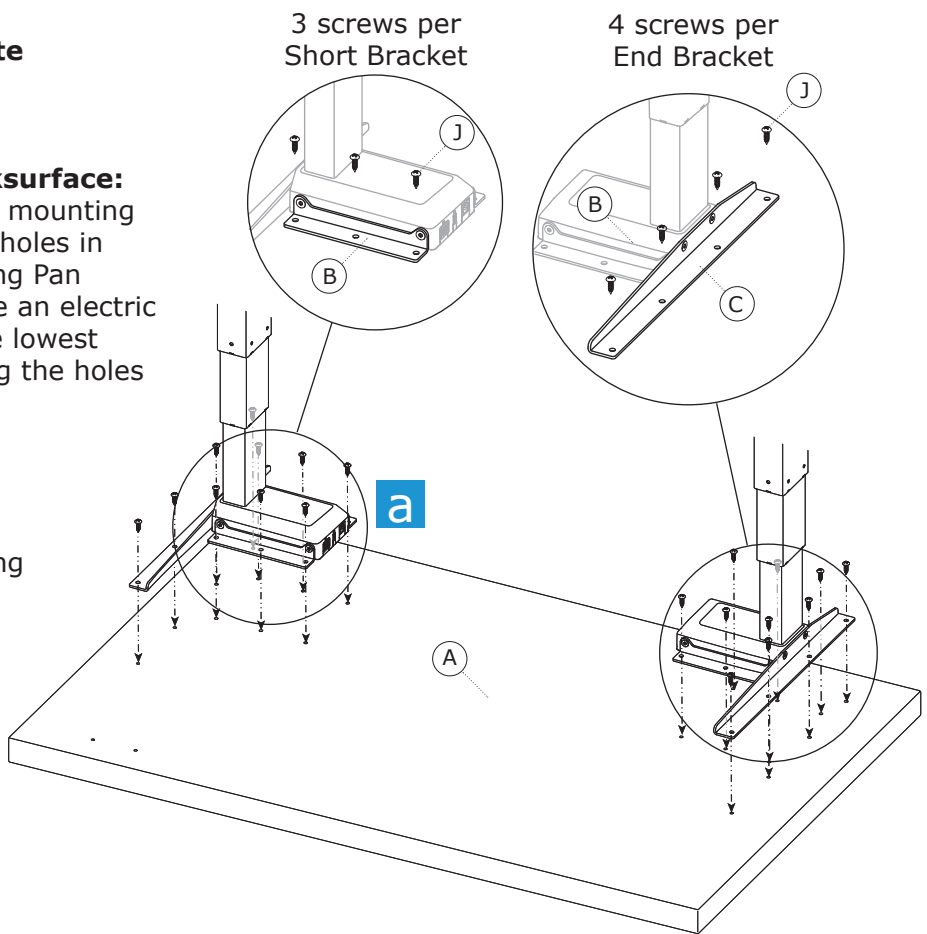
If you have a Workrite worksurface:

a Position leg assemblies to align mounting holes in brackets to pre-drilled holes in Top (A) then attach loosely using Pan Head Top Screws (J). If you use an electric screwdriver, be sure it is on the lowest torque setting to avoid stripping the holes in the top.

b Tighten all screws connecting brackets to leg assemblies.

c Then tighten all screws attaching brackets to top.

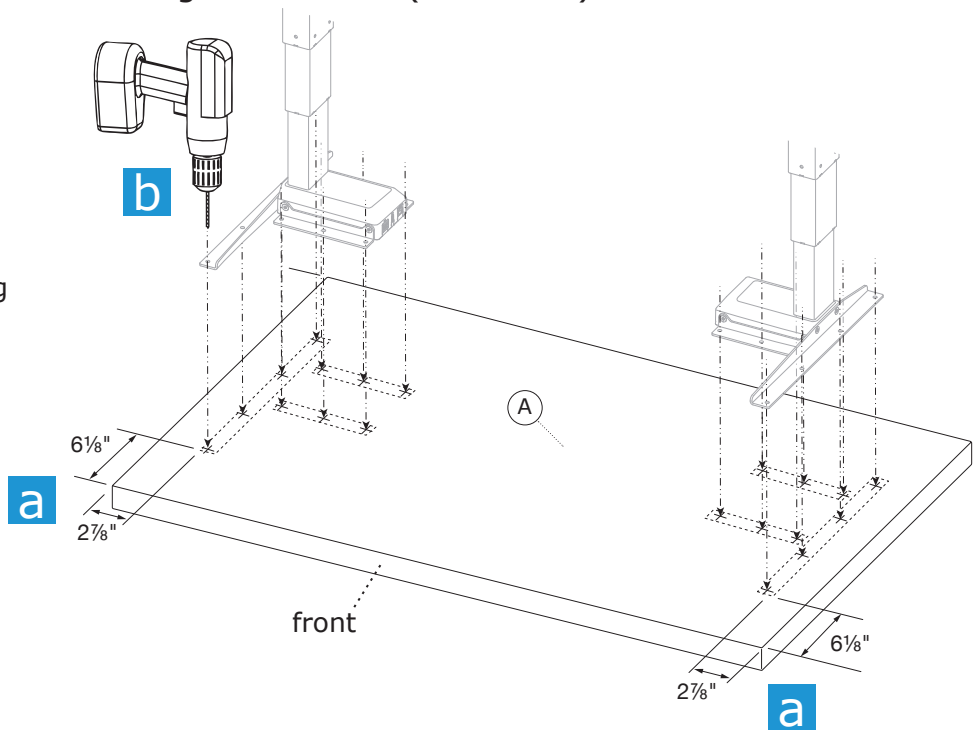
Continue to Step 5.



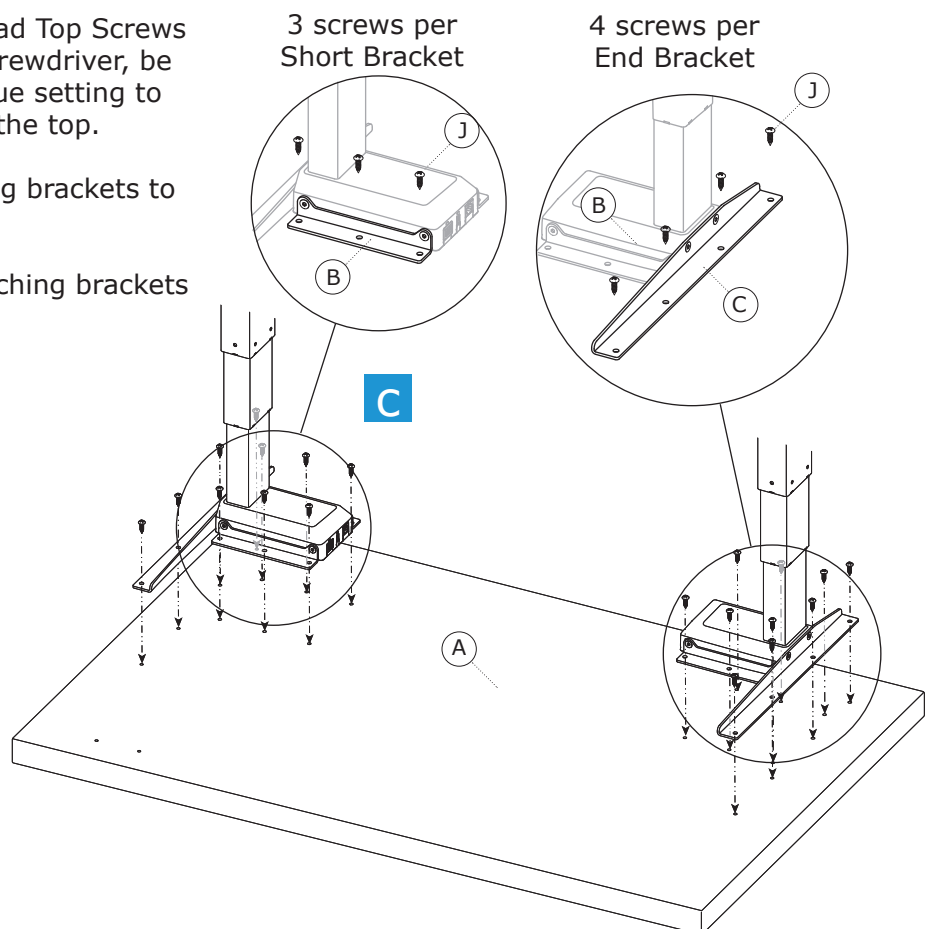
4 Attach Base to Worksurface and Tighten Screws (continued)

If you do not have a Workrite worksurface:

- a** Position leg assemblies on bottom side of worksurface using measurements **a** below.
- b** Mark placement of mounting holes, then use $\frac{1}{8}$ " drill bit to drill pilot holes at marked locations. You may wish to mark your drill bit so you do not drill any more than $\frac{3}{4}$ " deep and damage your worksurface top. **Do not drill all the way through worksurface!**



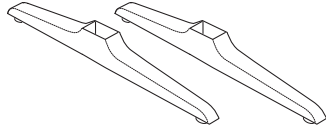
- c** Attach loosely using Pan Head Top Screws (J). If you use an electric screwdriver, be sure it is on the lowest torque setting to avoid stripping the holes in the top.
- d** Tighten all screws connecting brackets to leg assemblies.
- e** Then tighten all screws attaching brackets to top.



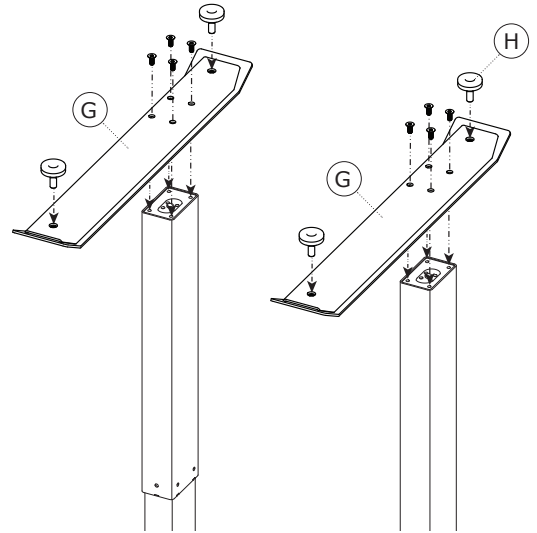
5 Attach Feet (sold separately) & Slides

- a** Attach Feet (G) to bottom of legs with Flat Head Cap Screws (I), using Allen Wrench (K) and tighten securely. **Be sure the longer end of the foot goes towards the front of the table.**

You may have purchased the Styled Feet, that attach in the same fashion.



- b** Attach Feet Glides (H) to bottom of feet. Do not screw in all the way to allow for leveling in step 10



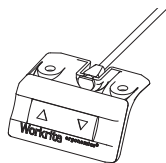
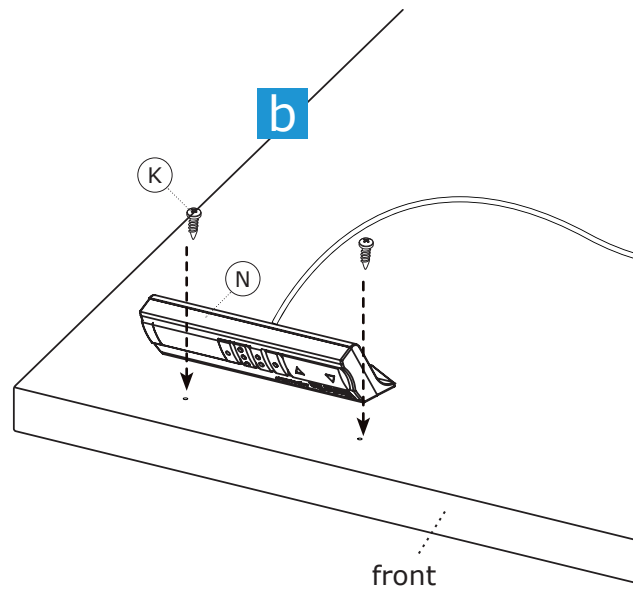
6 Attach Switch

- a If you have a Workrite worksurface:**
Position the switch over the pilot holes near front edge of worksurface.

If you do not have a Workrite worksurface:
For non-Workrite worksurfaces, align Switch (N) so that outermost edge of switch is flush with edge of worksurface. Pre-drill screw pilot holes into underside of worksurface with $\frac{3}{32}$ " drill bit. You may wish to mark your drill bit so you do not drill any more than $\frac{3}{4}$ " deep and damage your worksurface top.

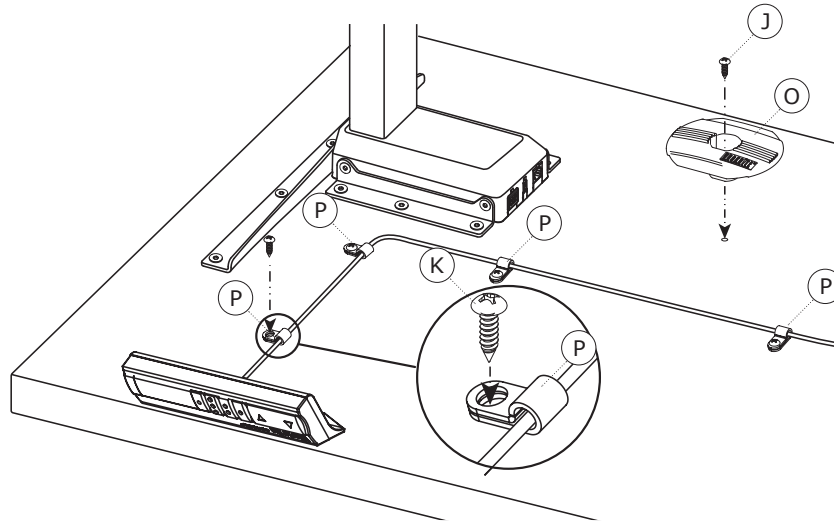
Do not drill all the way through worksurface!

- b** Attach Switch (N) to underside of worksurface using the smaller (#8 x $\frac{5}{8}$ ") Pan Head Screws (K). You may have purchased the Standard Control which attaches in the same fashion.



7 Attach Cable Spools and Cable Loops

Attach Cable Spool (O) with the #12 × ¾" Pan Head Laminate screw (J) and Cable Loops (P) to underside of worksurface using #8 × ⅝" Pan Head Screw (K) making sure to wrap the Cable Loop around the cable prior to attaching. If you do NOT have a Workrite worksurface, mount cable spools in a convenient location between legs and control box.

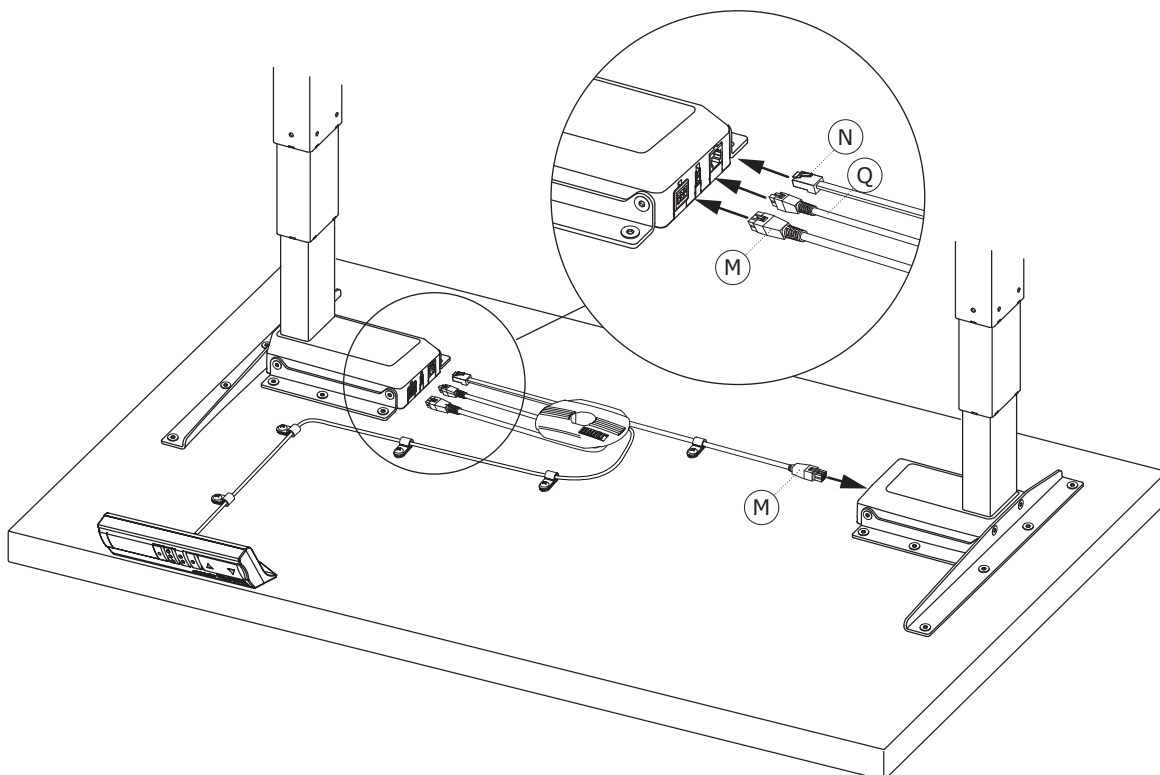


8 Connect Leg Cables to Control leg and Companion Leg

Connect the Leg Cable (M) to the six position connector labeled "1" on both the Control Leg and the Companion Leg (F).

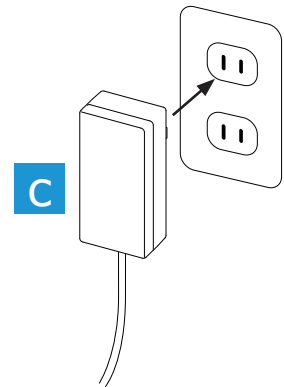
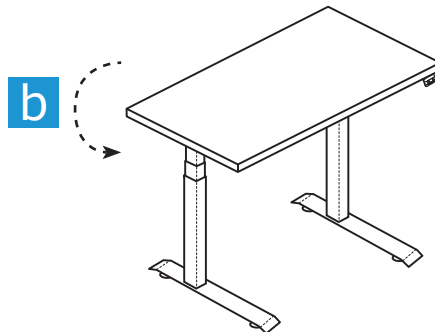
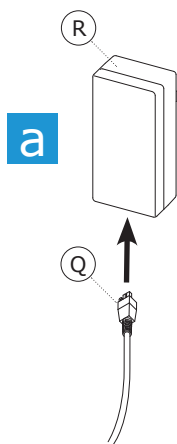
Insert the Power Cord (Q) into the two position connector labeled "DC" on the Control Leg.

Insert the Switch Cable (N) into the data connector labeled "A1" on the Control Leg.



9 Connect Power Cord to the Power Supply and put workcenter upright

- a Connect the Power Cord (Q) to the Power Supply (R).
- b Turn the table over into an upright position.
- c Plug the Power Cord into the power outlet.

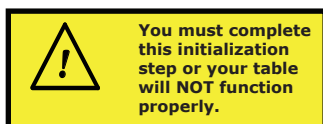


10 Adjust Feet Guides

If necessary, adjust leveling guides on table feet to level the worksurface. Unscrew to increase height, screw in to decrease height.

11 Initialize Legs

After all legs and the switch are connected, and the power cord has been plugged in, hold the **down arrow** on the switch until the legs make a short motion down and then back up. This initializes and synchronizes the table legs.



You must complete this initialization step or your table will NOT function properly.

Hold down the down arrow until table moves slightly upwards

i Cleaning instructions

To clean the Sierra HX legs, apply cleaner to a soft cloth.

Suggested cleaners: Windex or Formula 409.

Do not use solvents and do not saturate or spray cleaners directly to table base.