

# Steel Carts

## Extra Large

32" W x 20" D x 24" - 42" H

18<sup>3</sup>/<sub>4</sub>" x 11<sup>3</sup>/<sub>4</sub>"



**AVJ42XLC**  
W42XLC



**AVJ42XL**  
W42XL



**AVJ42XLKBC**  
W42XLKBC



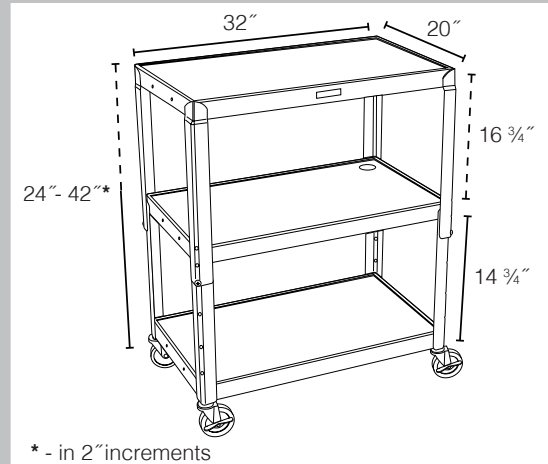
**AVJ42XLKB**  
W42XLKB

**\*Height is the measurement from the floor to mount center**

**MADE IN USA**

- Adjustable in heights from: 26" - 42"
- All steel shelves are 32" x 20" with a 1/4" retaining lip
- Steel shelves are welded for increased strength
- 3-Outlet UL listed electrical assembly with 15 ft. cord
- A set of silent roll, 4" full swivel ball bearing casters, two with locking brakes

### Measurements:



- Available in four heights 26" , 30<sup>1</sup>/<sub>4</sub>" , 34" and 42"
- 34" has one interior adjustable shelf, 42" has two shelves
- Locking security cabinet has full piano hinge doors

- 3-Outlet UL listed electrical assembly with 15 ft. cord
- A set of silent roll, 4" full swivel ball bearing casters, two with locking brakes



**AV30XLC**  
32" W x 20" D x 30<sup>1</sup>/<sub>4</sub>" H



**MC29E**  
36" W x 24" D x 26" H



**MC34E**  
24" W x 18" D x 34" H



**MC42E**  
24" W x 18" D x 42" H

