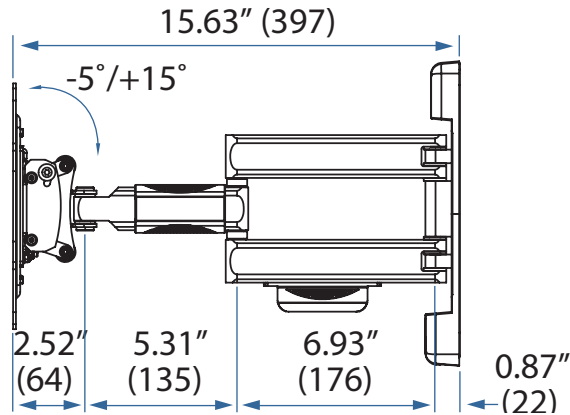
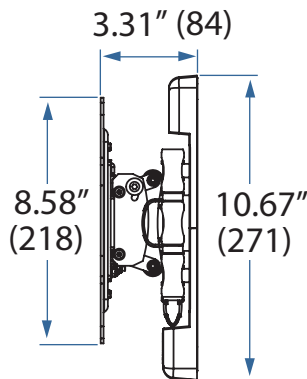
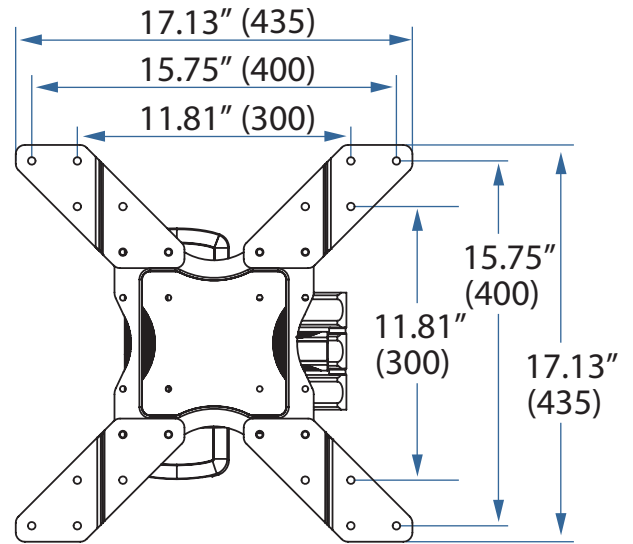
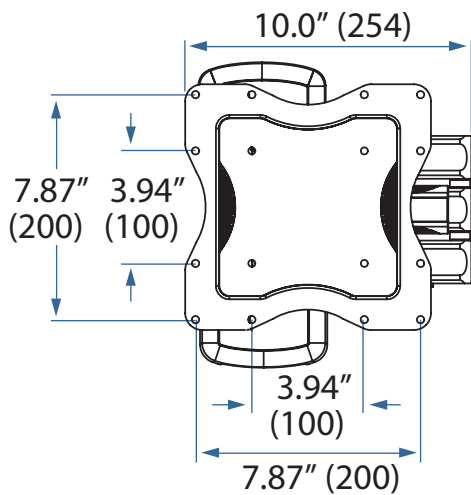


## Neo-Flex Cantilever VHD



60-618



Metric Dimensions in Parentheses.

© 2011 Ergotron, Inc. rev. 03/17/2011 DIM-NF C-V Content is subject to change without notification

**Americas Sales and Corporate Headquarters**

St. Paul, MN USA  
(800) 888-8458  
+1-651-681-7600  
www.ergotron.com  
sales@ergotron.com

**EMEA Sales**

Amersfoort, The Netherlands  
+31 33 45 45 600  
www.ergotron.com  
info.eu@ergotron.com

**APAC Sales**

Singapore  
www.ergotron.com  
info.apac@ergotron.com

**Worldwide OEM Sales**

www.ergotron.com  
info.oem@ergotron.com

