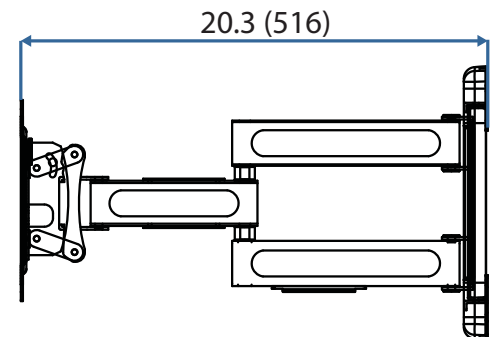
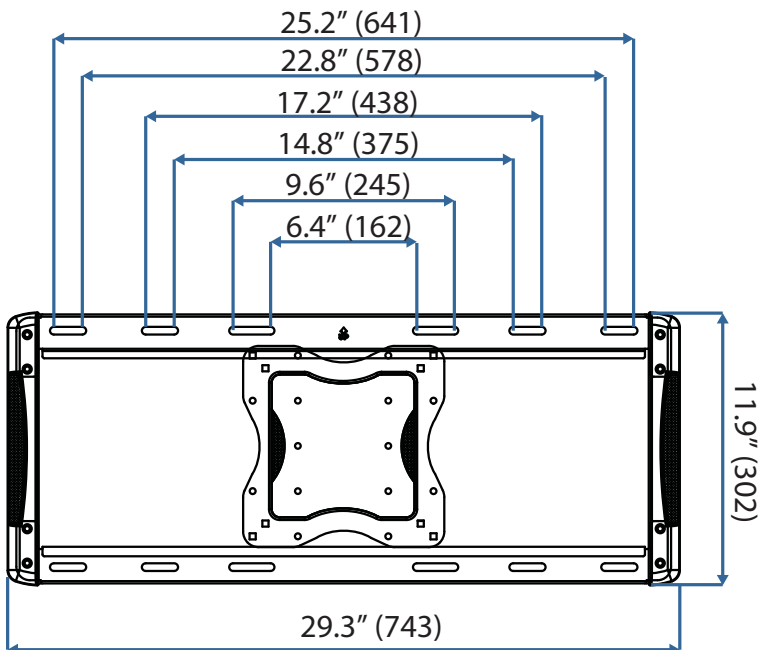
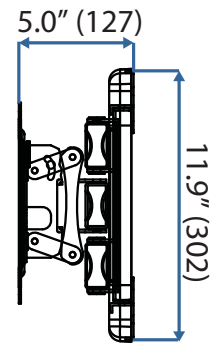
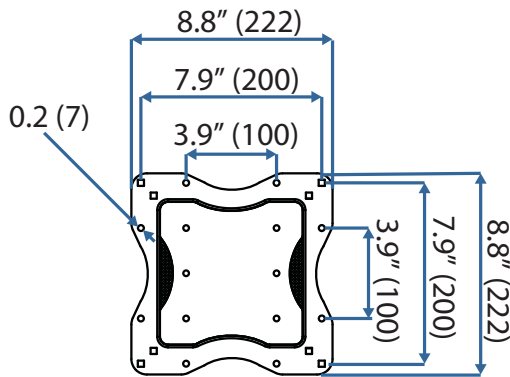
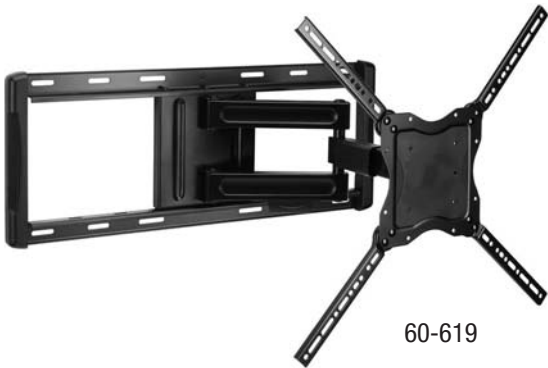


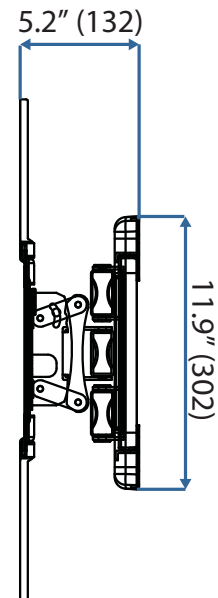
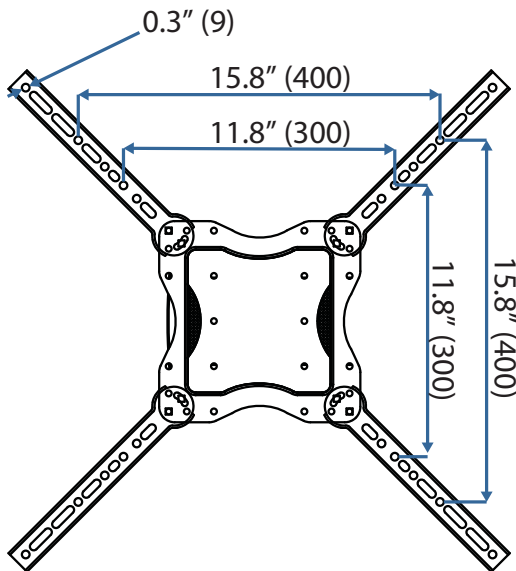
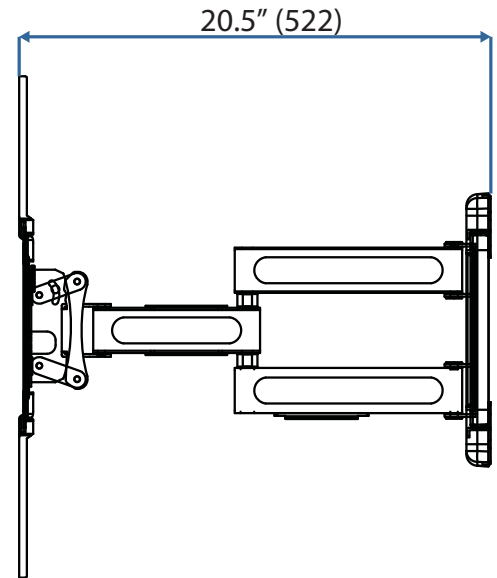
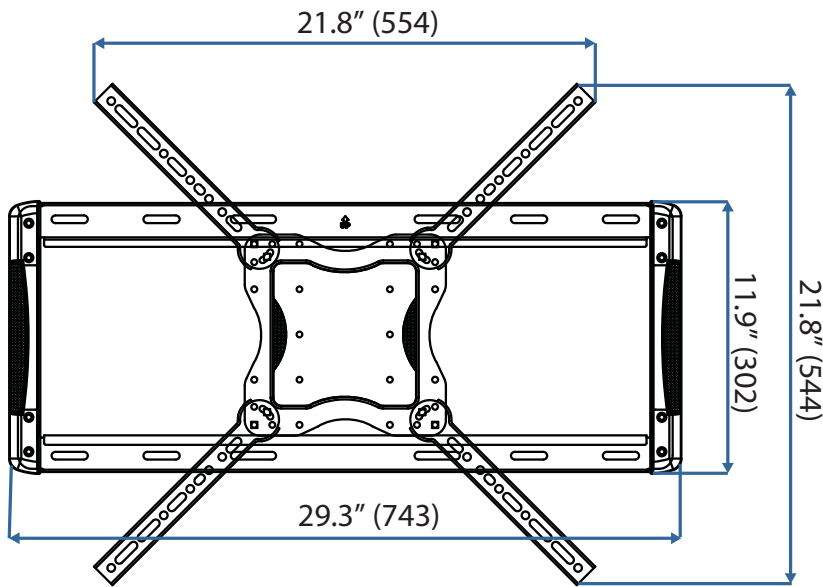
# Ergotron® Wall Mounts Series

Dimensional Illustrations

## Neo-Flex Cantilever UHD



# Neo-Flex Cantilever UHD



Metric Dimensions in Parentheses.

© 2011 Ergotron, Inc. rev. 04/5/2011 DIM-NF C-U Content is subject to change without notification

**Americas Sales and Corporate Headquarters**

St. Paul, MN USA  
 (800) 888-8458  
 +1-651-681-7600  
 www.ergotron.com  
 sales@ergotron.com

**EMEA Sales**

Amersfoort, The Netherlands  
 +31 33 45 45 600  
 www.ergotron.com  
 info.eu@ergotron.com

**APAC Sales**

Singapore  
 www.ergotron.com  
 info.apac@ergotron.com

**Worldwide OEM Sales**

www.ergotron.com  
 info.oem@ergotron.com

